

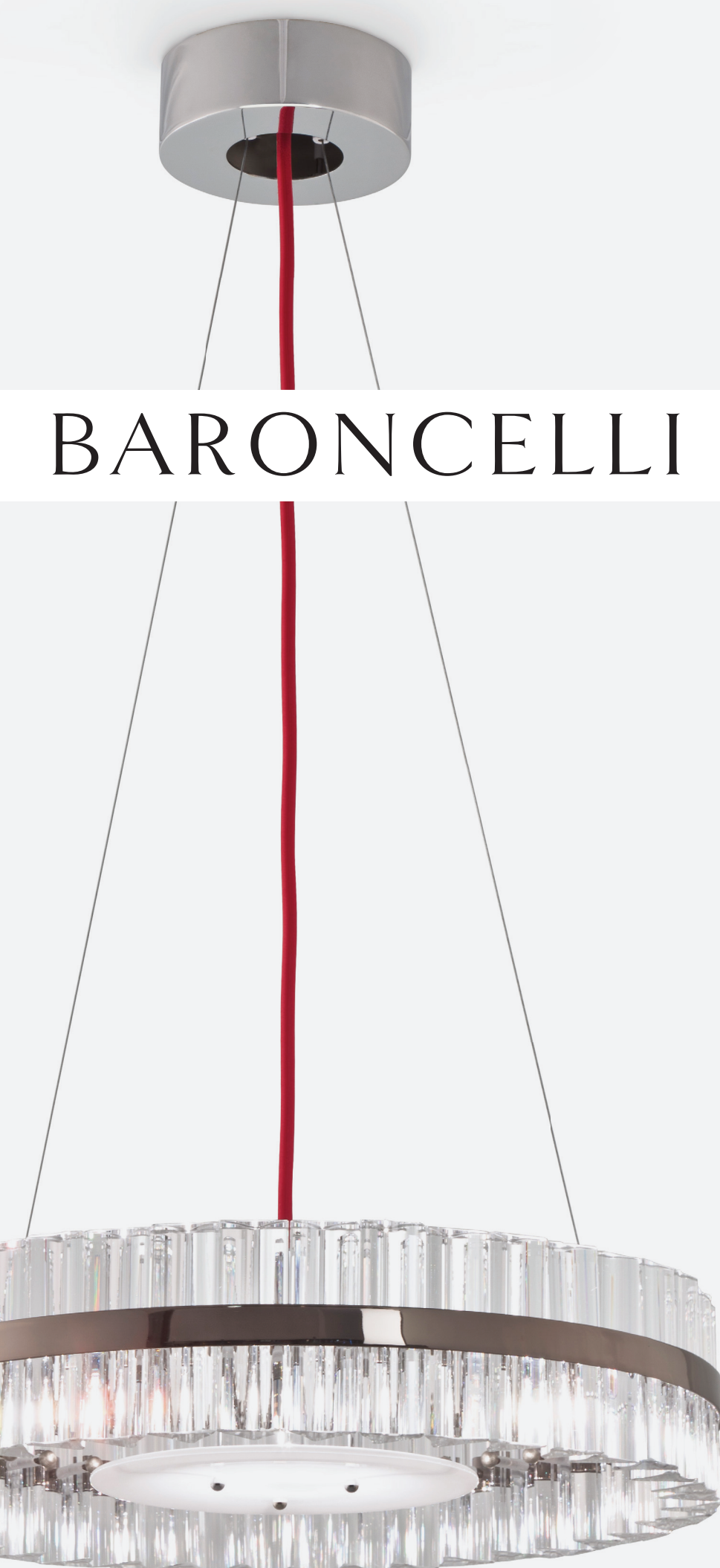
SATURNO PENDANT

BARONCELLI



LIGHTING | Pendant | Saturno

As shown
Polished black nickel frame with
cristallo trihedrons and satin steel
ball fittings



MURANO | NEW YORK | LONDON
BARONCELLI.COM



SATURNO PENDANT FACTS

Inspired by the Constructivist's use of geometric shapes as building blocks, it creates unexpected views and bold statements from every angle.



MATERIALS

GLASS
Cristallo trihedrons

GLASS COLOURS*



CRI

METAL FINISHES*

Polished chrome, polished gold,
polished black nickel

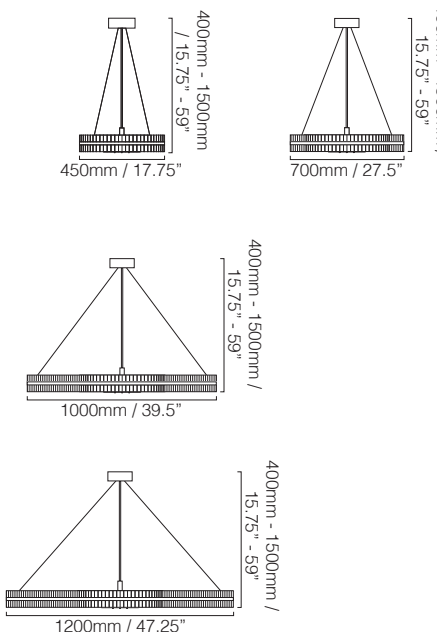
OTHER FINISHES*

Suspension cable in satin steel

WEIGHTS

450 Ø	7 kg (16 LB)
700 Ø	10 kg (16 LB)
1000 Ø	15 kg (16 LB)
1200 Ø	17 kg (16 LB)

SIZES



DETAILS

SUSPENSION

Overall drop can be adjusted on site
Supplied with ceiling canopy Ø140mm (5.5") and
2000mm (80") of cable
LED supplied with ceiling canopy Ø270mm (10.5")

FIXING

Ceiling plate with 4 fixing slots (screws not
included) suitable to carry the weight indicated
below to be fitted prior to chandelier installation
USA - fixture is supplied with cross bar suitable
for use with a 3.5" square junction box - please
ensure this is suitable to carry the weight
indicated below

INSTALLATION

Fixture requires on site assembly by qualified
electrician

ELECTRICALS

LAMP

240V	G9 Halogen Bi Pin, max 60W
120V	G9 Halogen Bi Pin, max 60W
LED	Warm white LED tape (2700k)

CABLES & CORD SETS

Braided cable available in Cream, Red, Elephant
Grey, Silver or Black

POWER

1 light	60W max total power
3 lights	180W max total power
LED - low voltage transformer in ceiling canopy.	
Max total power	50W

STANDARD

All lighting is made to CE standards
UL listing upon request

NOTES

Please note that size variations in hand blown
glass may range up to 40mm (1.5")

*Custom colours, finishes and sizes available -
please contact Barocelli for more details.

SHOWROOM LOCATIONS

LONDON SHOWROOM

Studio C3, The Imperial Laundry
71 Warriner Gardens
London, SW11 4XW
T +44 (20) 7720 6556
F +44 (20) 7720 6336
lon@barocelli.com

NEW YORK SHOWROOM

D&D Building
979 Third Avenue, Suite 1507
New York, NY 10022
T +1 212 255 2005
F +1 212 255 4660
ny@barocelli.com