

# BRAMANTE CHANDELIER

## INSTALLATION INSTRUCTIONS

### 1 OF 6

BARONCELLI ⌘



#### WHAT IS INCLUDED

1. Frame, glass arms and electrical fittings
2. Spares
3. Ceiling bracket

#### WEIGHTS

16 Lights	25 kg (56 lb)
20 Lights	30 kg (67 lb)

#### WHAT YOU WILL NEED

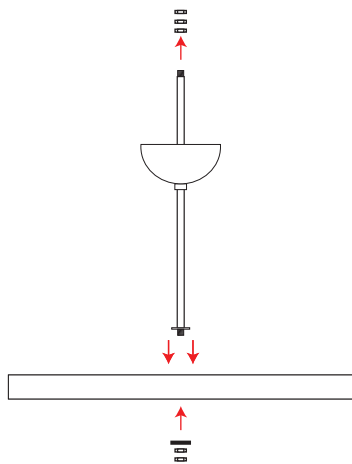
1. Junction box fixings (for US)
2. Bulbs - E14 (240v) / E12 (120v) - Max 40W
3. Screwdriver (3.5mm / 1/8" flat tip) + pliers
4. Soft cloth
5. Allen keys

# BRAMANTE CHANDELIER

## INSTALLATION INSTRUCTIONS

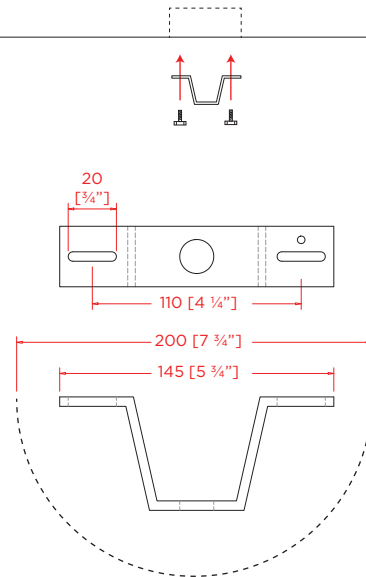
### 2 OF 6

BARONCELLI 



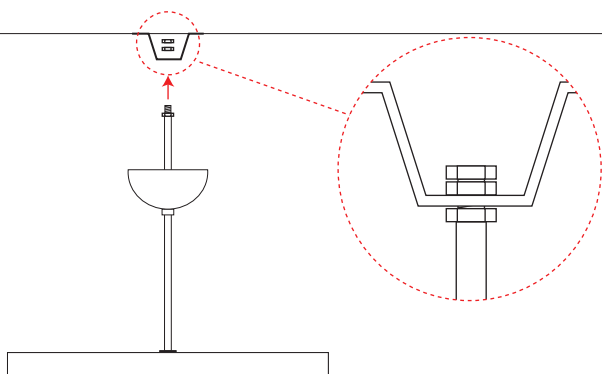
#### STEP 1

Remove 3x hex nuts from top of stem. Pass the stem through the ceiling canopy. Secure into upper frame using 1x wide washer and 2x hex nuts beneath.



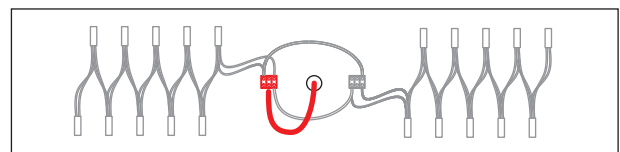
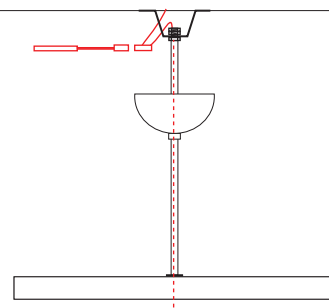
#### STEP 2

Securely fasten bracket bar to ceiling beam, joist or junction box (US). Ensure fixings are suitable to taking the relevant load.



#### STEP 3

Return 1x hex nut to the top of the stem and tighten. Raise frame and secure into ceiling bracket using 2x hex nuts.



#### STEP 4

Feed cable up through stem. Make connections into connector block inside frame and to mains at ceiling level.

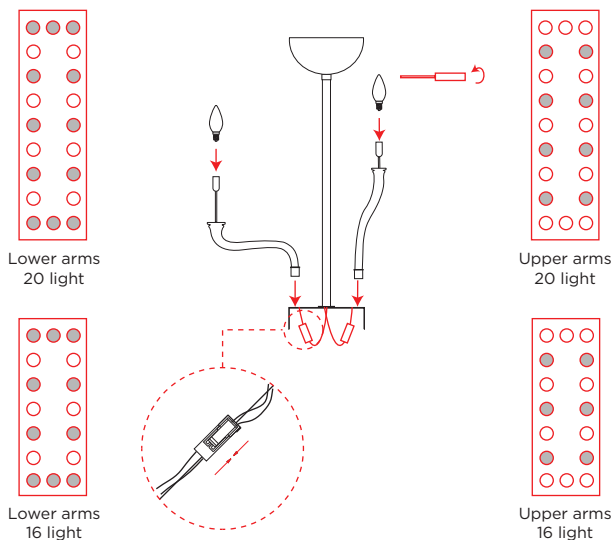
# BRAMANTE CHANDELIER

## INSTALLATION INSTRUCTIONS

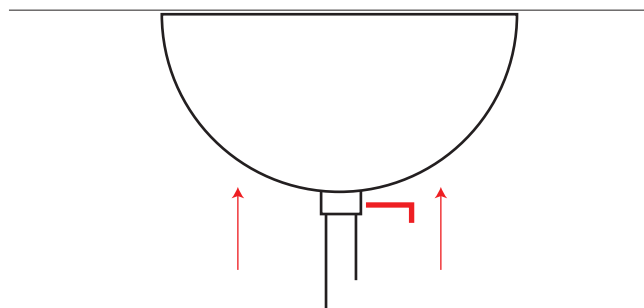
### 3 OF 6

BARONCELLI ⌘

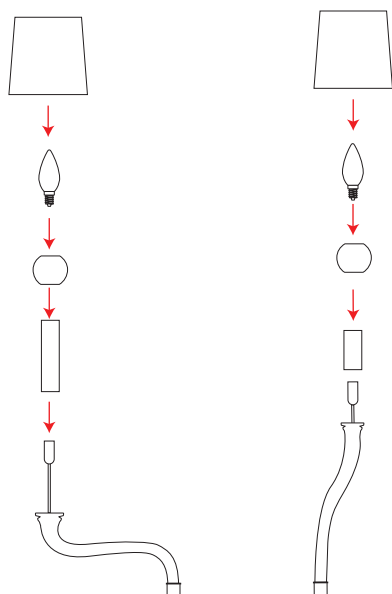
Bulbs - E14 (240v) / E12 (120v) - Max 40W



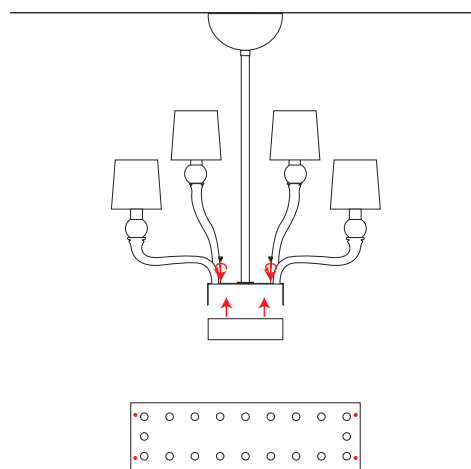
**STEP 5**  
Install arms into their corresponding sockets within the fondino plate, install on alternate sides of the stem to ensure the load is balanced. Secure into the socket using the side screw below the plate and make electrical connections using 'click' connectors. Install bulbs before testing electrics.



**STEP 6**  
Raise canopy & secure using grub screw.



**STEP 7**  
Install candle sleeves, balls, bulbs and shades.



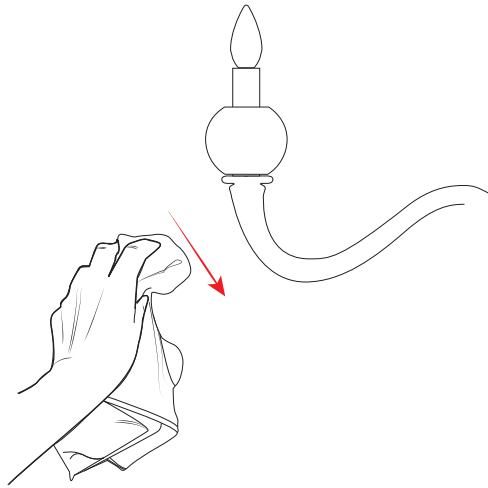
**STEP 8**  
Raise lower casing into position and secure using screws on top side of plate.

\*ENSURE ANY ELECTRICAL WORK IS CARRIED OUT BY A QUALIFIED ELECTRICIAN\*

# OPERATION AND MAINTENANCE

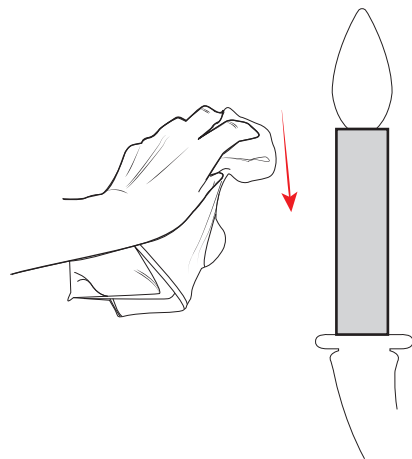
4 OF 6

BARONCELLI ⌘



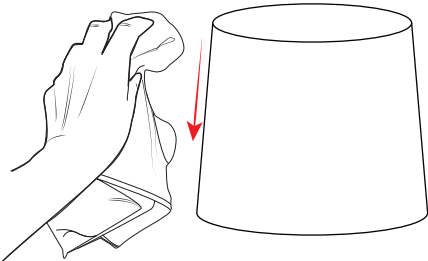
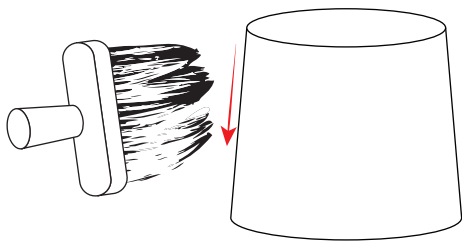
## GLASS CLEANING

Glass elements should be carefully cleaned using a soft cloth.



## METAL CLEANING

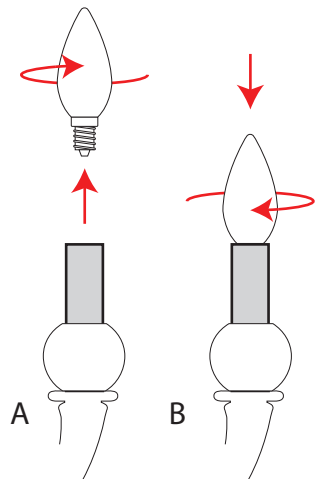
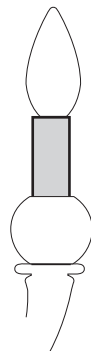
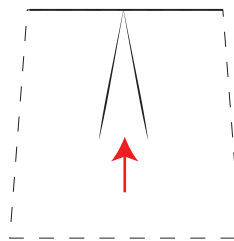
Carefully clean metal surfaces using a soft cloth and no liquid.



## SHADE CLEANING

Dust can be removed using a soft clothes brush. Shades without trims can be cleaned using a damp soft cloth, do not apply force or rub the fabric.

**NOTE: STAIN REMOVERS, DETERGENTS OR CLEANING FOAMS WILL STAIN THE FABRIC AND SHOULD NOT BE USED**



**Bulbs:**  
E14 (240v) / E12 (120v) - Max 40W

## REPLACING A BULB

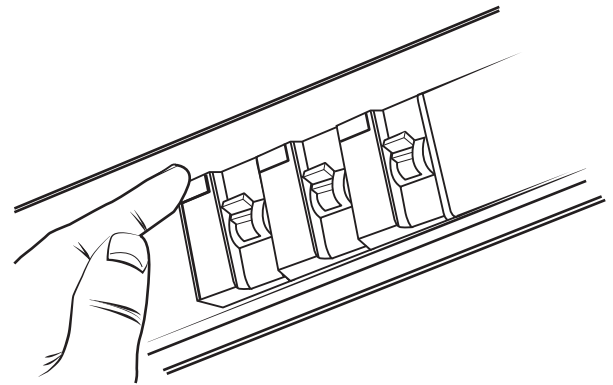
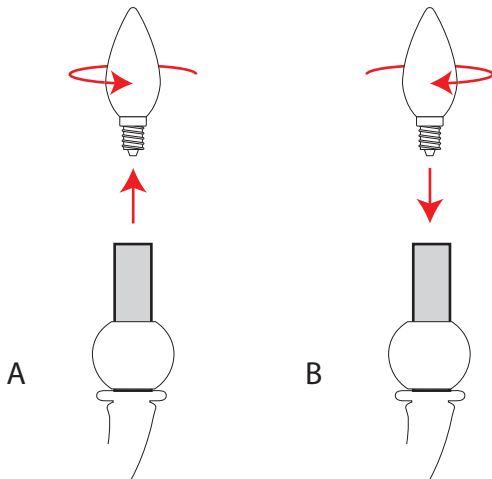
If shade is in place, remove first, carefully lift until the clip fitting releases itself of the bulb. Ensure electricals are switched off and bulb has cooled down. Remove bulb and replace.

\*ENSURE ANY ELECTRICAL WORK IS CARRIED OUT BY A QUALIFIED ELECTRICIAN\*

# OPERATION AND MAINTENANCE

## 5 OF 6

# BARONCELLI

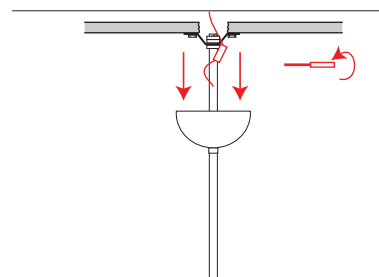
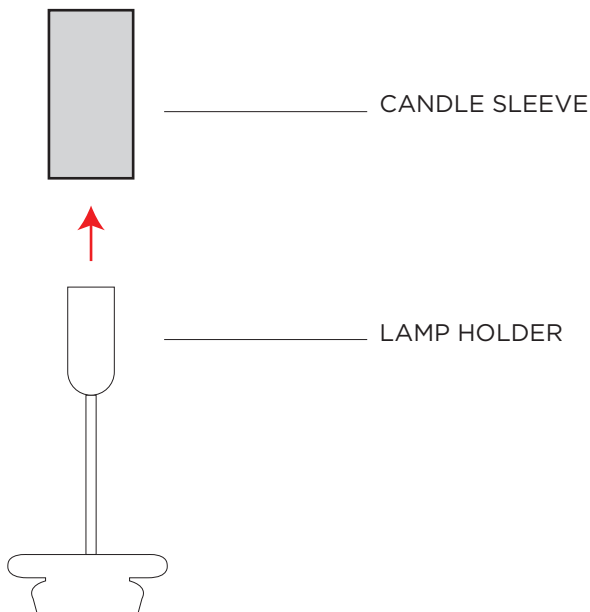


### STEP A TROUBLE SHOOTING - ELECTRICAL FAULTS

If only a single bulb is not working, check, remove and replace the bulb.

### STEP B TROUBLE SHOOTING - ELECTRICAL FAULTS

Check fuseboard



### STEP C TROUBLE SHOOTING - ELECTRICAL FAULTS

Check/test lamp holder. Retrace installation steps to access.

### STEP E TROUBLE SHOOTING - ELECTRICAL FAULTS

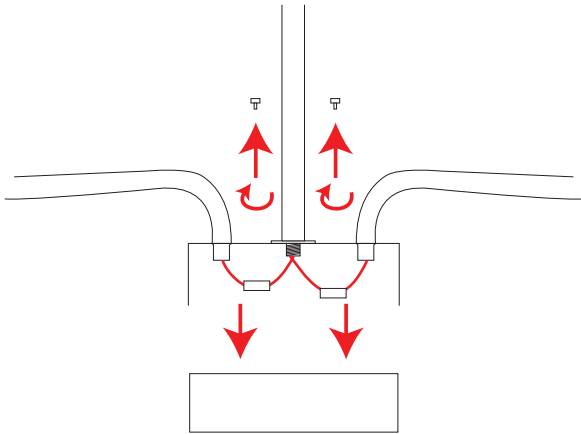
Lower ceiling canopy. Check/test connection.

\*ENSURE ANY ELECTRICAL WORK IS CARRIED OUT BY A QUALIFIED ELECTRICIAN\*

# OPERATION AND MAINTENANCE

## 6 OF 6

# BARONCELLI

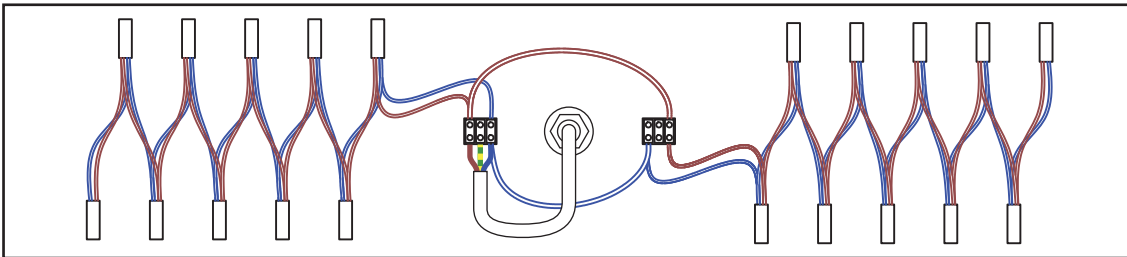


### STEP F

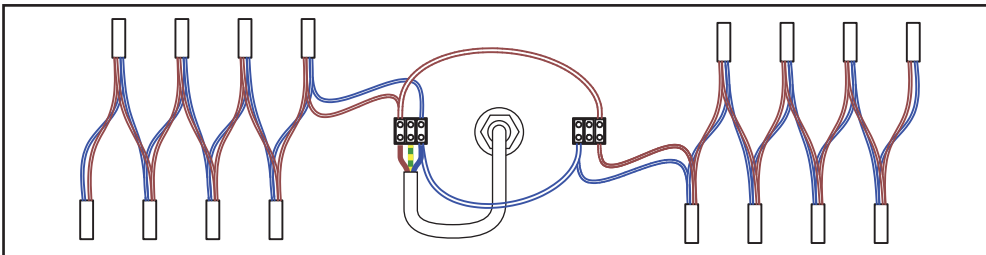
#### TROUBLE SHOOTING - ELECTRICAL FAULTS

Remove lower frame casing. Check/test internal connections at arm bases.

#### BRAMANTE 20 LIGHT



#### BRAMANTE 16 LIGHT



### STEP G

#### TROUBLE SHOOTING - WIRING CONFIGURATIONS

Check/test connections are in place.