

BRUNO CHANDELIER

INSTALLATION INSTRUCTIONS

1 OF 6

BARONCELLI ⌘



WHAT IS INCLUDED

1. Ceiling canopy
2. Spares
3. Bracket Bar

WHAT YOU WILL NEED

1. Hook / Junction box fixings
2. Bulbs - E14 (240v) / E12 (120v) - Max 40W
3. Screwdriver (3.5mm / 1/8" flat tip) + pliers
4. Allen keys
5. Soft cloth

WEIGHTS

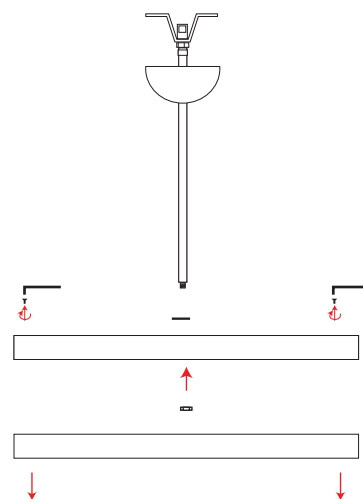
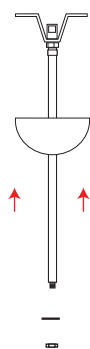
16 Lights	25 kg (56 lb)
20 Lights	30 kg (67 lb)

BRUNO CHANDELIER

INSTALLATION INSTRUCTIONS

2 OF 6

BARONCELLI 8

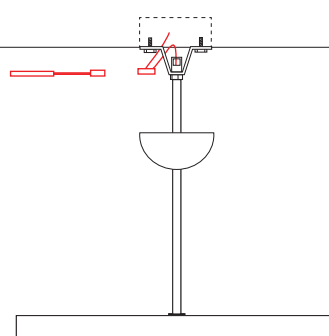
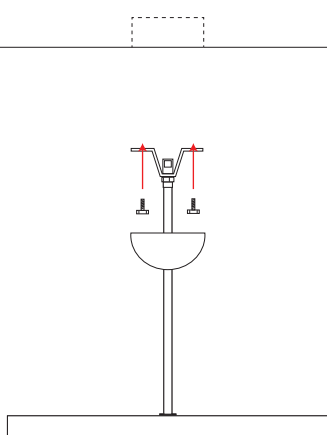


STEP 1

Pass the stem through the ceiling canopy.

STEP 2

Remove the upper section of the frame and attach the stem. Ensure the hex nut beneath is securely fixed.



STEP 3

Securely fasten bracket bar to ceiling beam or joist (the junction box for US). Ensure fixings are capable of taking the relevant load.

STEP 4

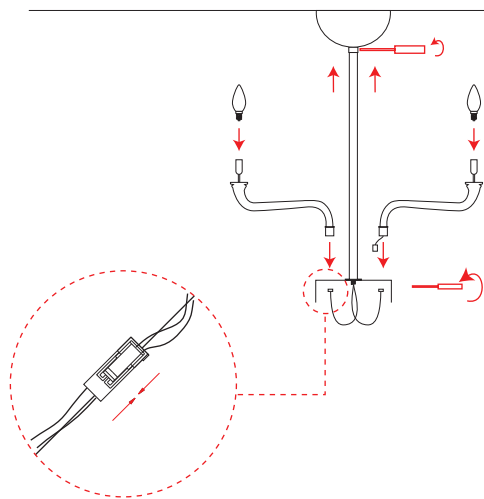
Make electrical connection.

BRUNO CHANDELIER

INSTALLATION INSTRUCTIONS

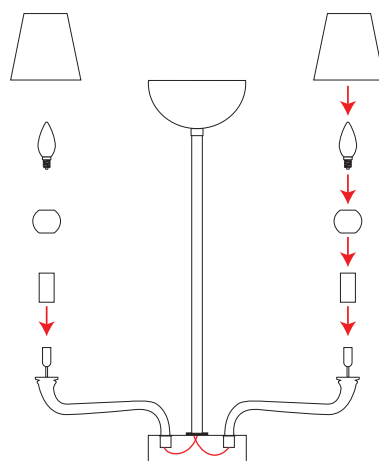
3 OF 6

BARONCELLI 8



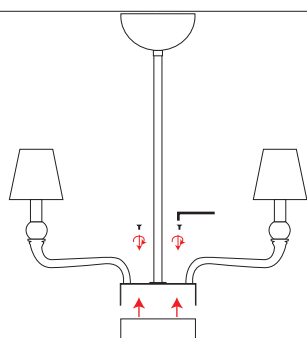
STEP 5

Install arms into their corresponding sockets within the fondino plate, alternate each side individually. Secure into the socket below the plate and make electrical connections using 'click' connectors. Install bulbs before testing electrics.



STEP 6

Install candle sleeves, balls, bulbs and shades.



STEP 7

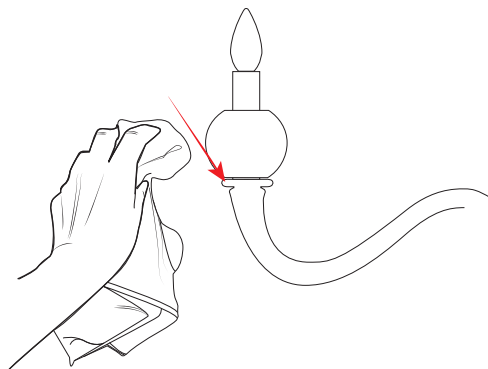
Raise lower casing into position and secure using side screws.

ENSURE ANY ELECTRICAL WORK IS CARRIED OUT BY A QUALIFIED ELECTRICIAN

OPERATION AND MAINTENANCE

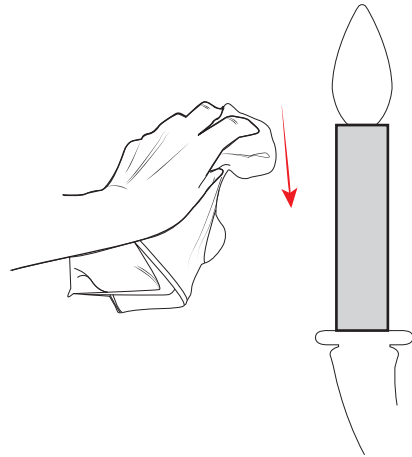
4 OF 6

BARONCELLI 



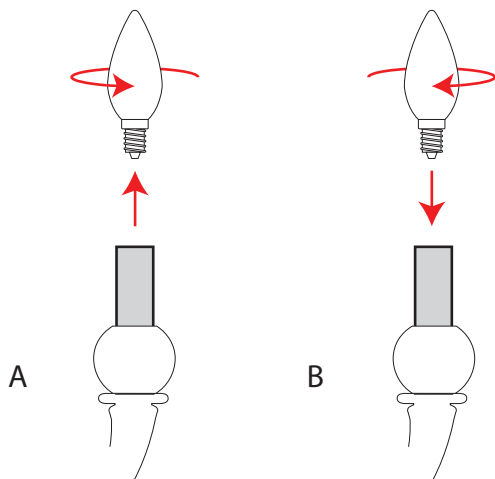
GLASS CLEANING

Glass elements should be carefully cleaned using a soft cloth.



METAL CLEANING

Carefully clean metal surfaces using a soft cloth and no liquid.



REPLACING A BULB

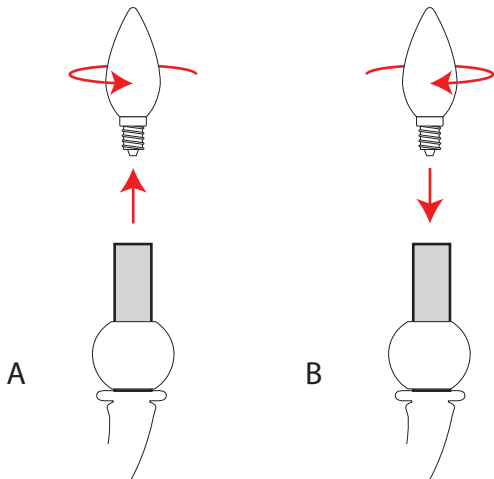
Ensure electricals are switched off and bulb has cooled down. Remove bulb and replace.

ENSURE ANY ELECTRICAL WORK IS CARRIED OUT BY A QUALIFIED ELECTRICIAN

OPERATION AND MAINTENANCE

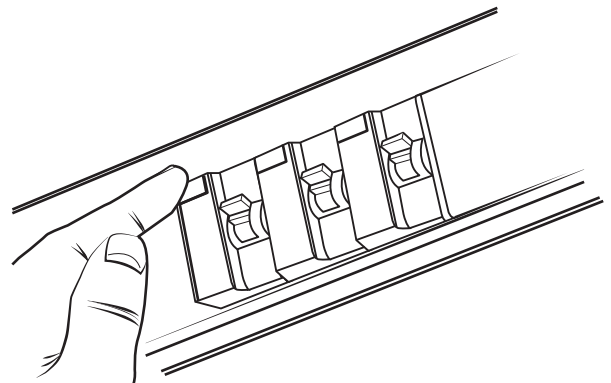
5 OF 6

BARONCELLI



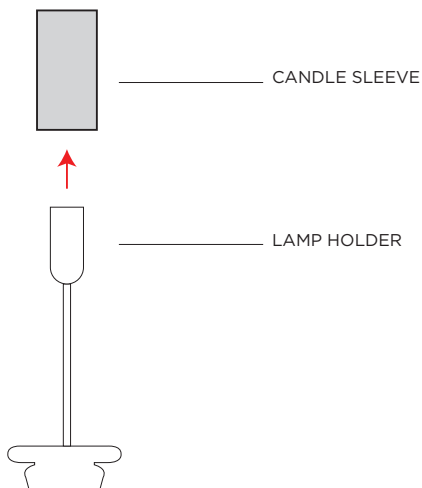
STEP A TROUBLE SHOOTING - ELECTRICAL FAULTS

If only a single bulb is not working, check, remove and replace the bulb.



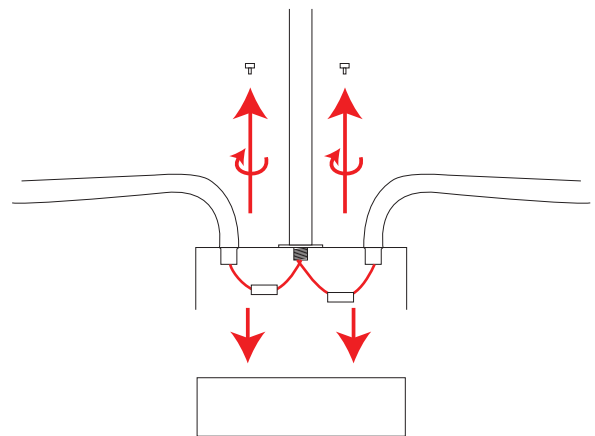
STEP B TROUBLE SHOOTING - ELECTRICAL FAULTS

Check fuseboard



STEP C TROUBLE SHOOTING - ELECTRICAL FAULTS

Check/test lamp holder. Retrace installation steps to access.



STEP D TROUBLE SHOOTING - ELECTRICAL FAULTS

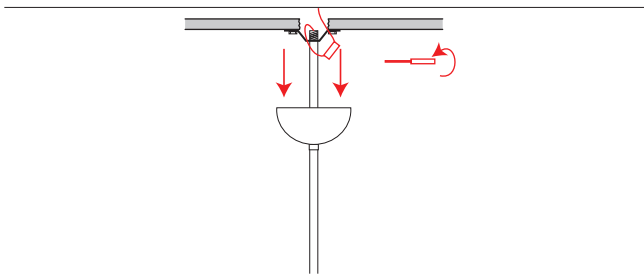
Remove finial and fondino to check/test connections at arm bases.

ENSURE ANY ELECTRICAL WORK IS CARRIED OUT BY A QUALIFIED ELECTRICIAN

OPERATION AND MAINTENANCE

6 OF 6

BARONCELLI 



STEP E

TROUBLE SHOOTING - ELECTRICAL FAULTS

Lower ceiling canopy. Check/test connections at arm bases.