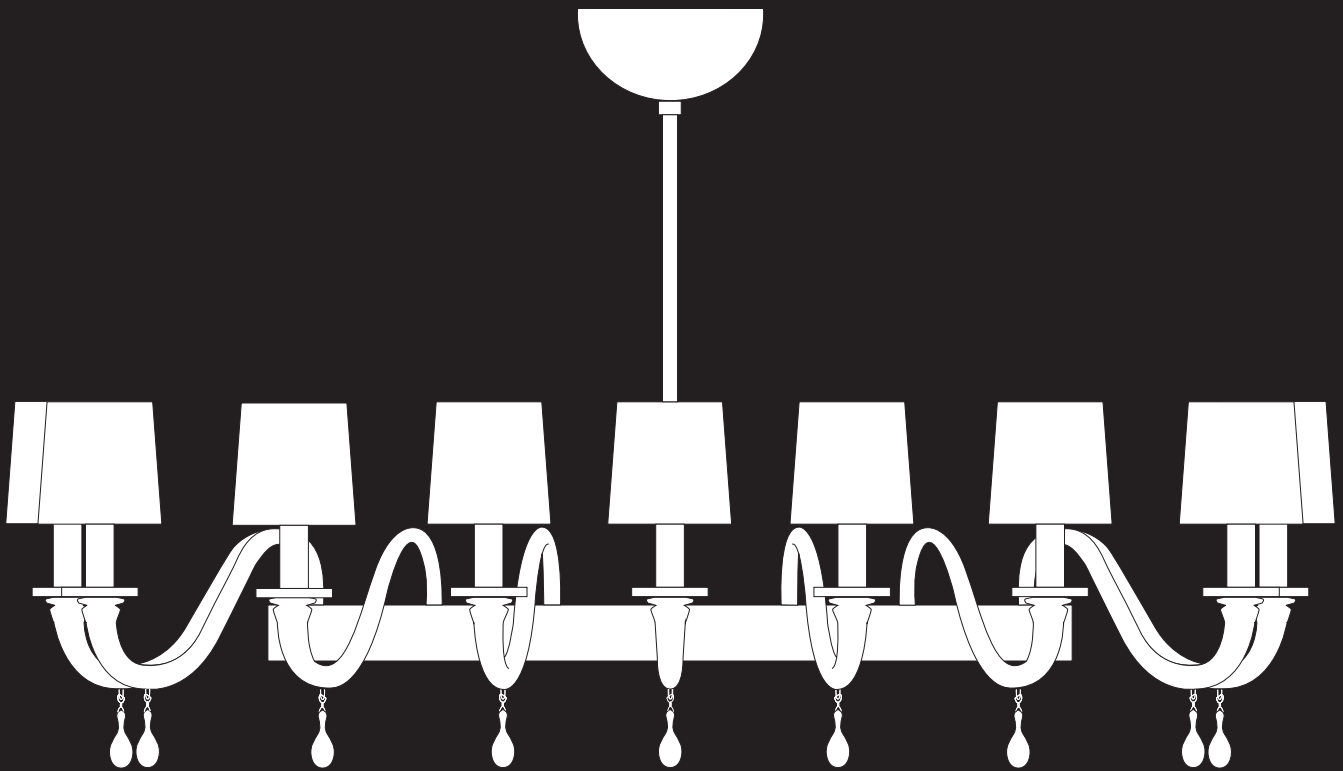


# DELFO CHANDELIER

## INSTALLATION INSTRUCTIONS

### 1 OF 6

BARONCELLI ⌘



#### WHAT IS INCLUDED

1. Ceiling canopy
2. Stem
3. Spares
4. Bracket Bar

#### WHAT YOU WILL NEED

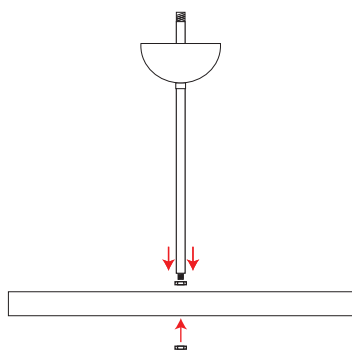
1. Bulbs - E14 (240v) / E12 (120v) - Max 40w
2. Screwdriver (3.5mm / 1/8" flat tip) + pliers
3. Soft cloth
4. Allen keys

#### WEIGHTS

- 16 LIGHTS 25kg (56LB)  
20 LIGHTS 30kg (67LB)

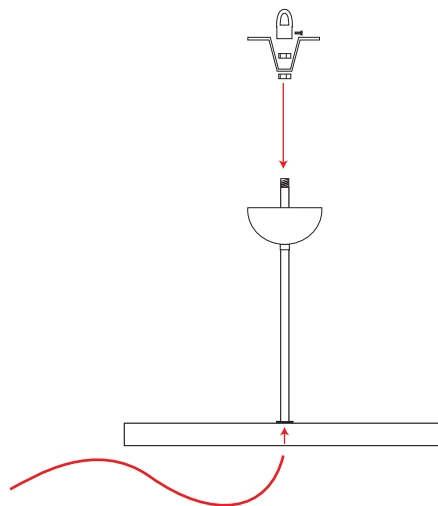
# DELFO CHANDELIER INSTALLATION INSTRUCTIONS 2 OF 6

BARONCELLI ⌘



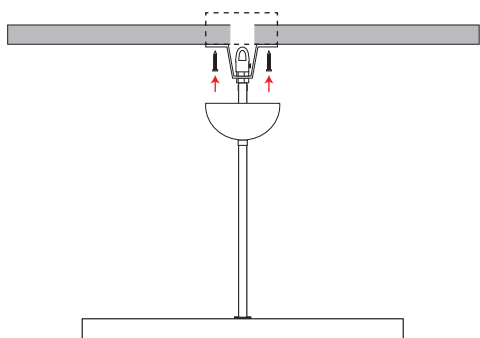
## STEP 1

Pass the stem through the ceiling canopy. Attach the stem to the upper frame section and securing with hex nut beneath and above.



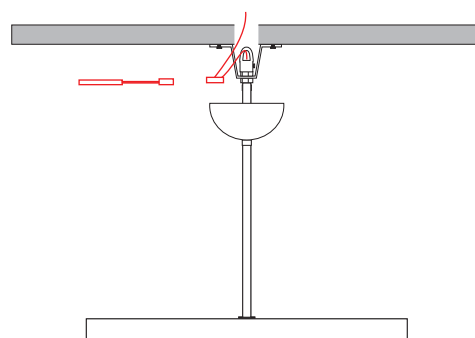
## STEP 2

Pass the stem through the bracket bar and secure using nuts above and below. Attach eyebolt to the stem and secure using side screw. Chase cable up through the stem.



## STEP 3

Securely fasten bracket bar to ceiling beam, joist or junction box (US). Ensure fixings are suitable to taking the relevant load.



**ENSURE ANY ELECTRICAL WORK IS CARRIED OUT  
BY A QUALIFIED ELECTRICIAN**

## STEP 4

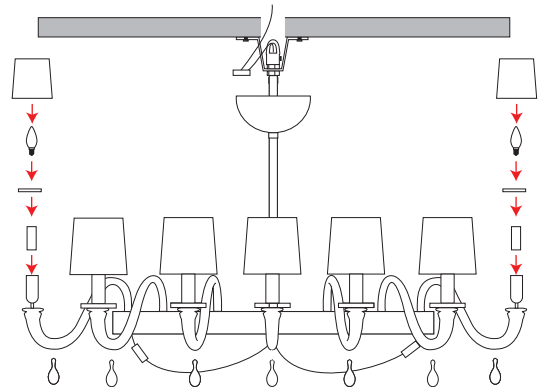
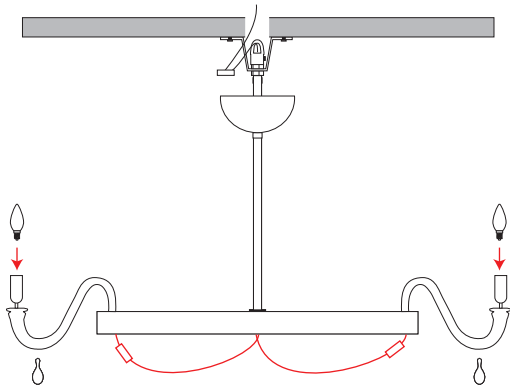
Make electrical connection.

# DELFO CHANDELIER

## INSTALLATION INSTRUCTIONS

### 3 OF 6

BARONCELLI 



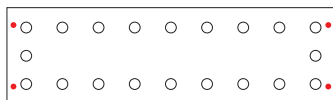
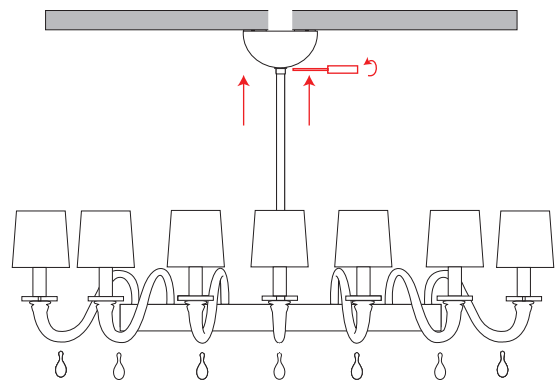
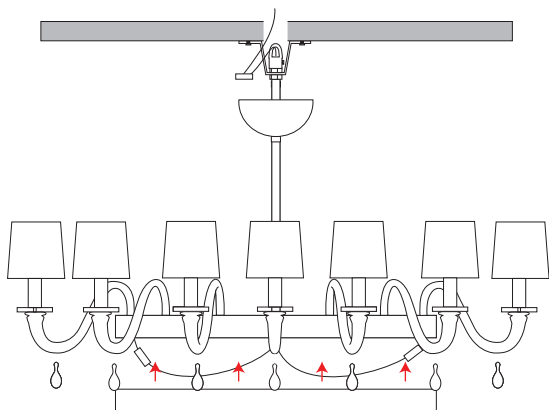
#### STEP 5

Install arms into their corresponding sockets within the fondino plate, alternate each side individually. Secure into the socket below the plate and make electrical connections using 'click' connectors. Install bulbs before testing electrics.

NOTE: E14 (240v) / E12 (120v) MAX - 40W

#### STEP 6

Install candle sleeves, discs, bulbs and shades.



#### STEP 7

Raise lower casing into position and secure using screws on top side of plate.

#### STEP 8

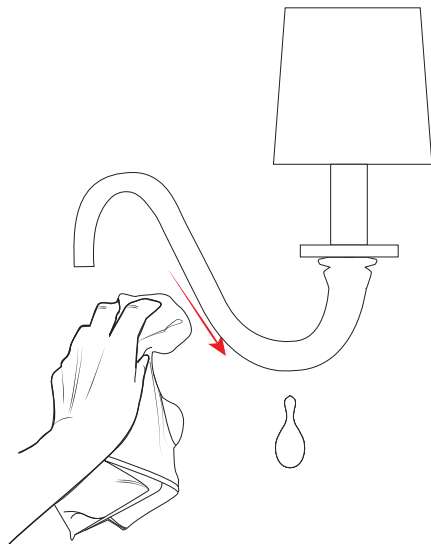
Raise ceiling canopy and secure using side screw.

# OPERATION AND MAINTENANCE

\*ENSURE ANY ELECTRICAL WORK IS CARRIED OUT BY A QUALIFIED ELECTRICIAN\*

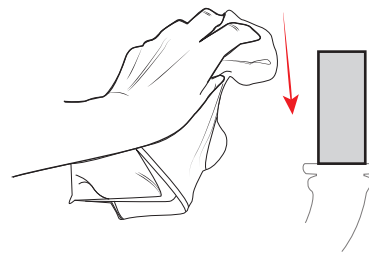
4 OF 6

BARONCELLI 



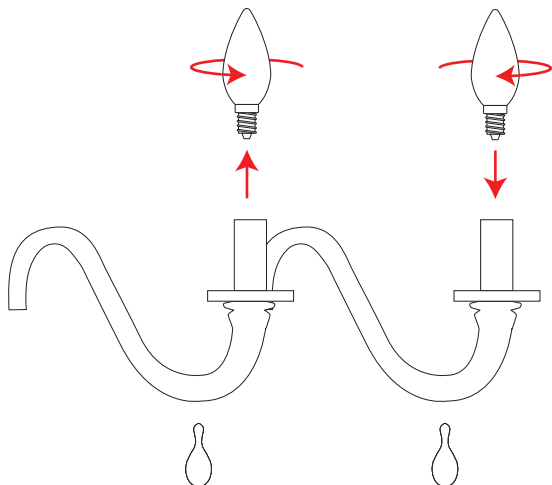
## GLASS CLEANING

Glass elements should be carefully cleaned using a soft cloth.



## METAL CLEANING

Carefully clean metal surfaces using a soft cloth and no liquid.



NOTE: E14 (240v) / E12 (120v) MAX - 40W

## REPLACING A BULB

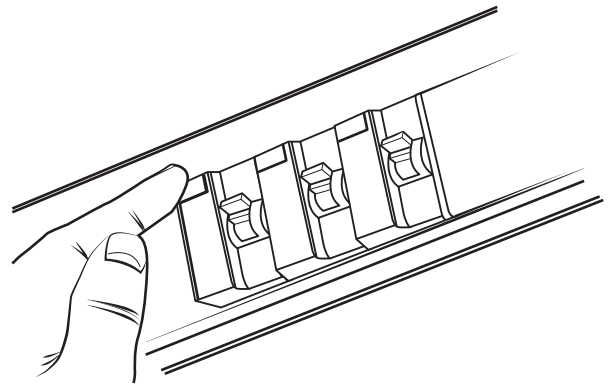
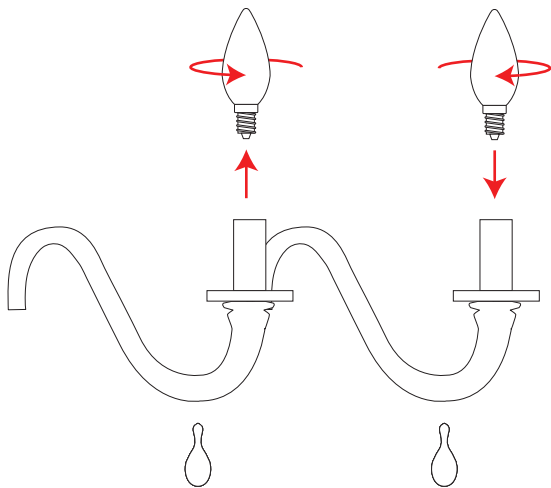
Ensure electricals are switched off and bulb has cooled down. Remove bulb and replace.

\*ENSURE ANY ELECTRICAL WORK IS CARRIED OUT BY A QUALIFIED ELECTRICIAN\*

# OPERATION AND MAINTENANCE

## 5 OF 6

# BARONCELLI

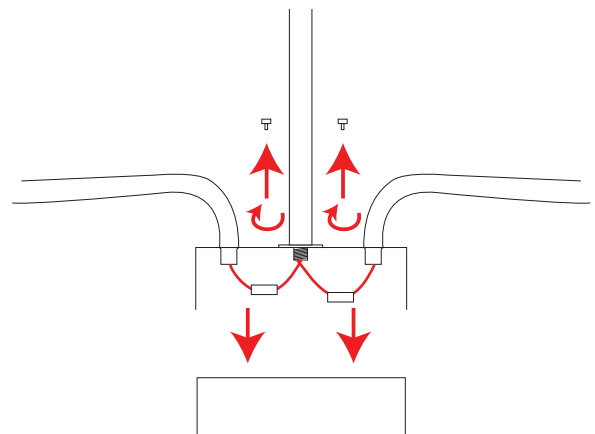
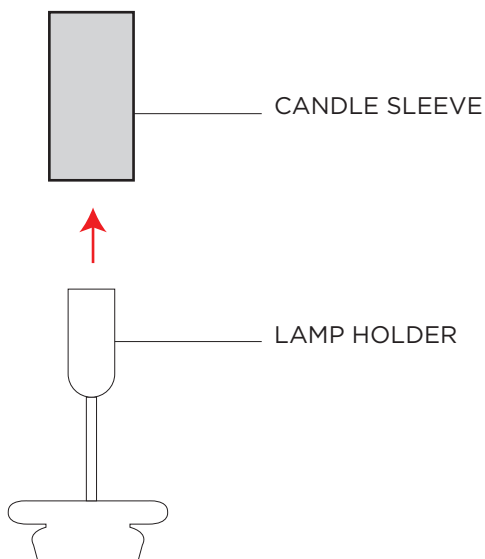


### STEP A TROUBLE SHOOTING - ELECTRICAL FAULTS

If only a single bulb is not working, check, remove and replace the bulb.

### STEP B TROUBLE SHOOTING - ELECTRICAL FAULTS

Check fuseboard



### STEP C TROUBLE SHOOTING - ELECTRICAL FAULTS

Check/test lamp holder. Retrace installation steps to access.

### STEP D TROUBLE SHOOTING - ELECTRICAL FAULTS

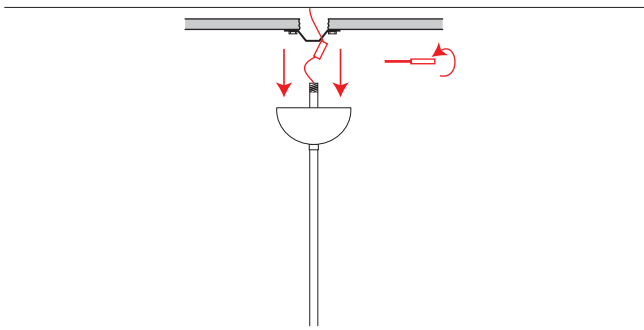
Remove finial and fondino to check/test connections at arm bases.

# OPERATION AND MAINTENANCE

\*ENSURE ANY ELECTRICAL WORK IS CARRIED OUT BY A QUALIFIED ELECTRICIAN\*

6 OF 6

BARONCELLI ⌘



**STEP E**  
**TROUBLE SHOOTING - ELECTRICAL FAULTS**  
Lower ceiling canopy. Check/test connections.