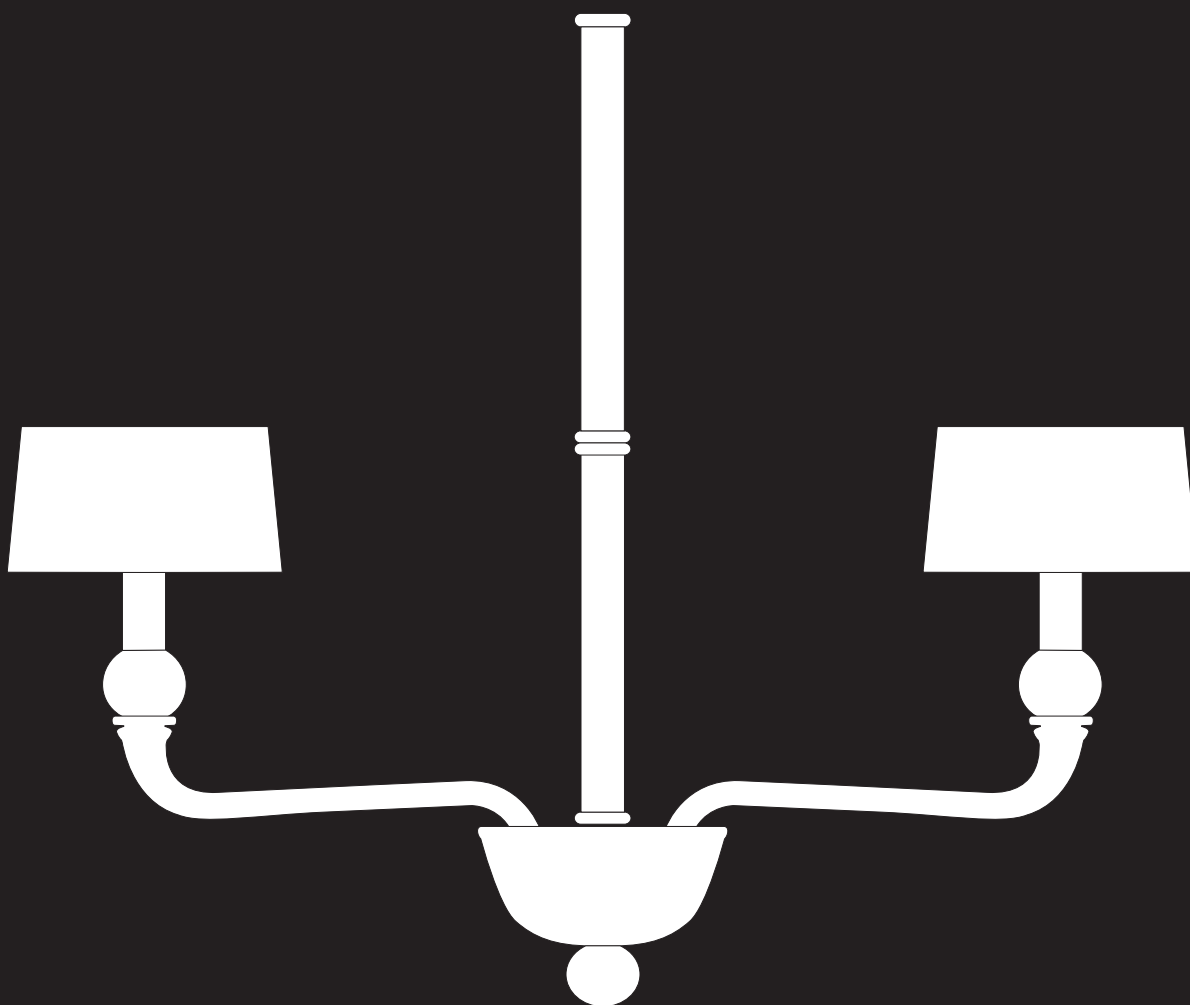


# MATTEO CHANDELIER

## INSTALLATION INSTRUCTIONS

### 1 OF 7

BARONCELLI ⌘



#### WHAT IS INCLUDED

1. Ceiling canopy
2. Chain
3. Spares
4. Bracket Bar (Junction box attachment)

#### WHAT YOU WILL NEED

1. Hook / Junction box
2. Bulbs - E14 (240v) / E12 (120v) - Max 40W
3. Screwdriver (3.5mm / 1/8" flat tip) + pliers
4. Soft cloth

#### WEIGHTS

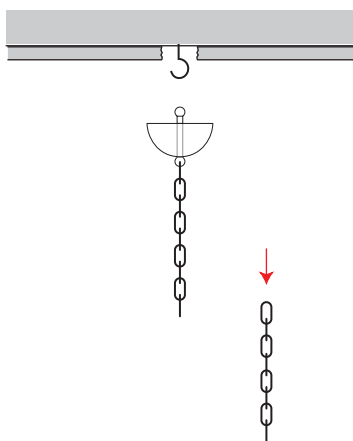
- 5 Lights 10kg (23LB)
- 6 Lights 12kg (27LB)
- 8 Lights 15kg (34LB)

# MATTEO CHANDELIER

## INSTALLATION INSTRUCTIONS

### 2 OF 7

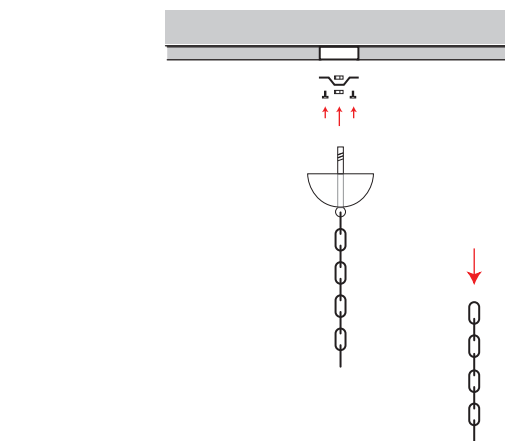
BARONCELLI ⌘



#### STEP 1

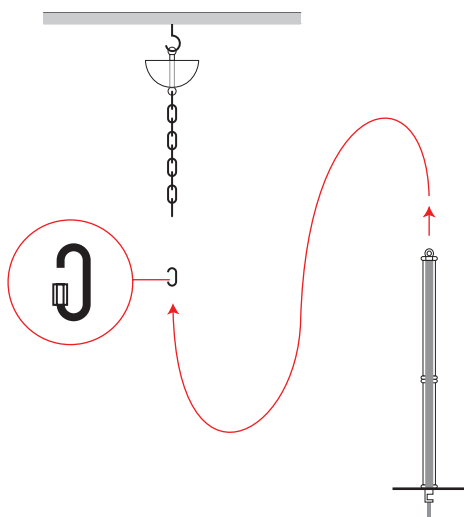
Prepare fixing points at ceiling beam, joist or suitable location. Ensure fixing locations are capable of taking the relevant load. Remove excess chain to determine full drop .

NOTE: CEILING HOOK IS NOT SUPPLIED



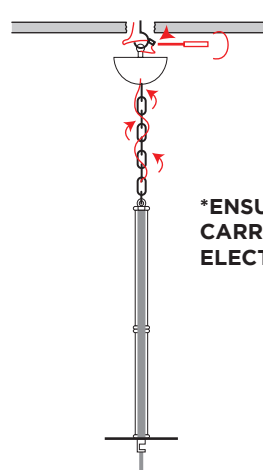
#### STEP 1 (US)

Securely fasten bracket bar to the junction box. Pass the stem through the bracket bar and secure using nuts above and below. Ensure the fixing is capable of taking the required weight. Remove excess chain to determine full drop.



#### STEP 2

Use shackle to hook the stem to the chain.



**\*ENSURE ANY ELECTRICAL WORK IS CARRIED OUT BY A QUALIFIED ELECTRICIAN\***

#### STEP 3

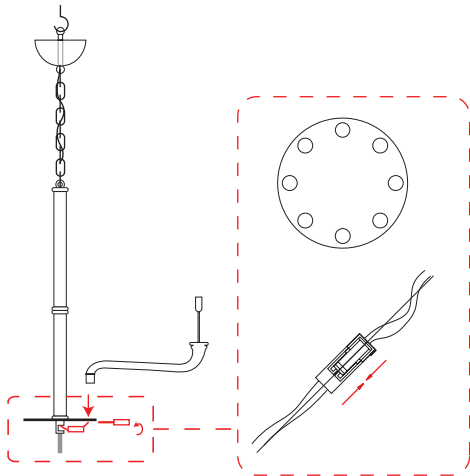
Thread cable up through the length of the stem, thread it through the chain and post up through the tube into the ceiling canopy. Make electrical connection.

# MATTEO CHANDELIER

## INSTALLATION INSTRUCTIONS

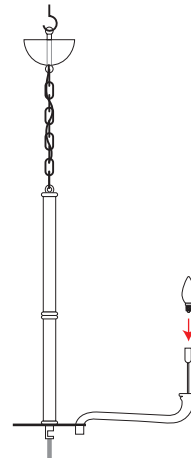
### 3 OF 7

BARONCELLI ⌘



#### STEP 4

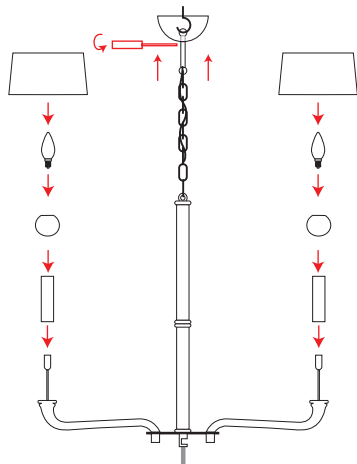
Install the arms into their corresponding sockets within the fondino plate. Secure into the socket below the plate and make electricals using 'click' connectors.



NOTE: Bulbs -  
E14 (240v) / E12 (120v) - Max 40W

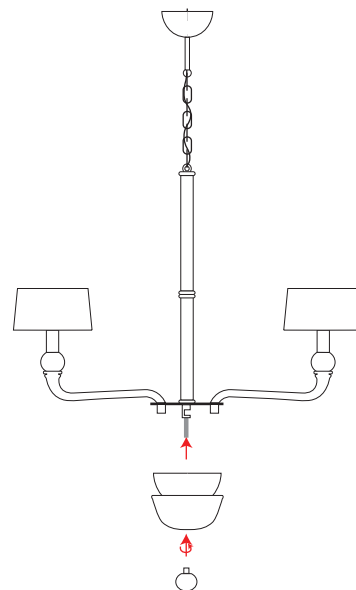
#### STEP 5

Install bulbs before testing electrics.



#### STEP 6

Raise ceiling canopy and secure in position. Install sphere, candle sleeve, shade and bulb onto each arm.



#### STEP 7

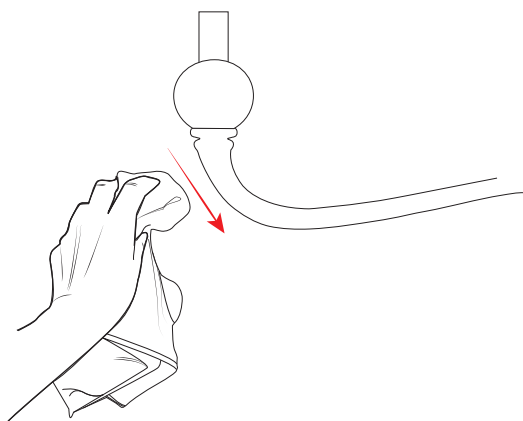
Raise fondino and metal liner into position and secure using finial beneath.

# OPERATION AND MAINTENANCE

\*ENSURE ANY ELECTRICAL WORK IS CARRIED OUT BY A QUALIFIED ELECTRICIAN\*

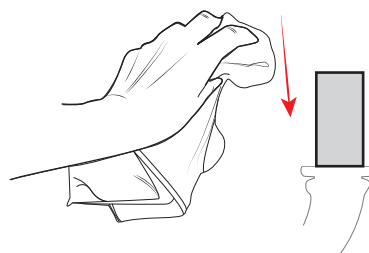
4 OF 7

BARONCELLI 



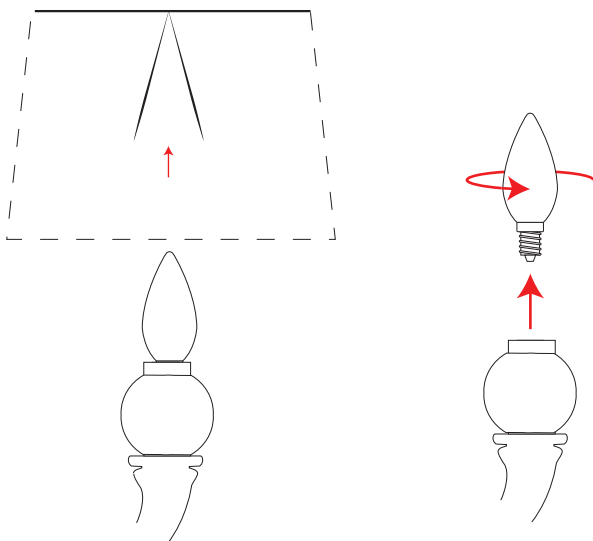
## GLASS CLEANING

Glass elements should be carefully cleaned using a soft cloth.



## METAL CLEANING

Carefully clean metal surfaces using a soft cloth and no liquid.



NOTE: Bulbs -  
E14 (240v) / E12 (120v) - Max 40W

## REPLACING A BULB

If shade is in place, remove first, carefully lift until the clip fitting releases itself of the bulb.

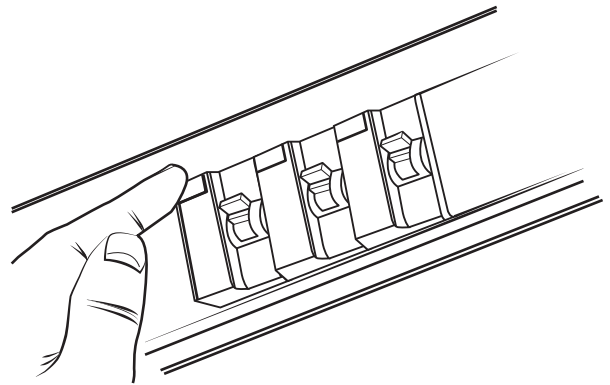
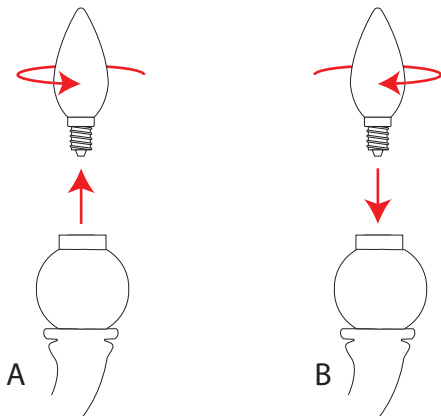
# OPERATION AND MAINTENANCE

\*ENSURE ANY ELECTRICAL WORK IS CARRIED OUT BY A QUALIFIED ELECTRICIAN\*

5 OF 7

BARONCELLI 

NOTE: Bulbs -  
E14 (240v) / E12 (120v) - Max 40W

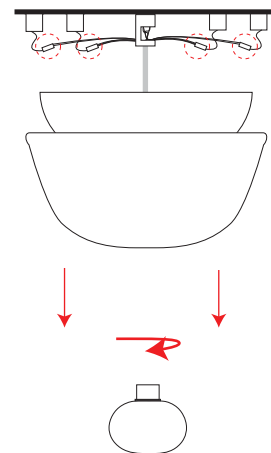
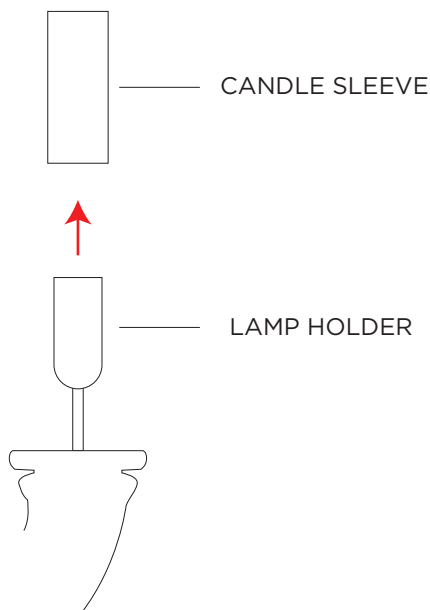


## STEP A TROUBLE SHOOTING - ELECTRICAL FAULTS

If only a single bulb is not working, check, remove and replace the bulb.

## STEP B TROUBLE SHOOTING - ELECTRICAL FAULTS

Check fuseboard



## STEP C TROUBLE SHOOTING - ELECTRICAL FAULTS

Check/test lamp holder. Retrace installation steps to access.

## STEP D TROUBLE SHOOTING - ELECTRICAL FAULTS

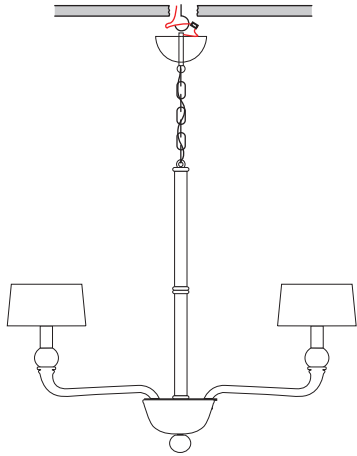
Remove finial and fondino to check/test connections at arm bases.

# OPERATION AND MAINTENANCE

\*ENSURE ANY ELECTRICAL WORK IS CARRIED OUT BY A QUALIFIED ELECTRICIAN\*

6 OF 7

BARONCELLI 



## STEP E

### TROUBLE SHOOTING - ELECTRICAL FAULTS

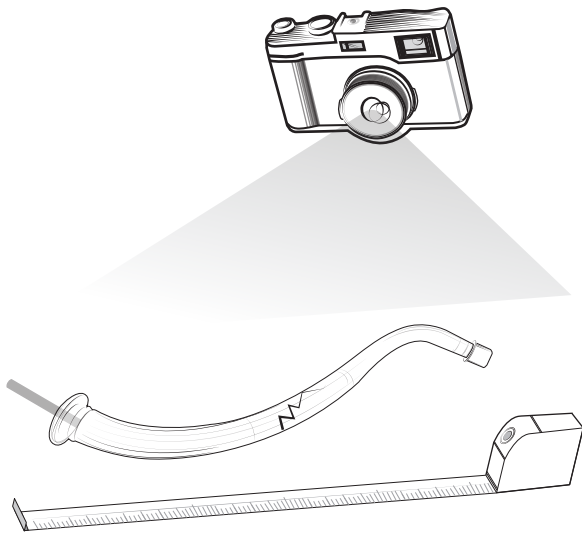
Lower ceiling canopy. Check/test connections in the ceiling canopy

# BREAKAGES

\*ENSURE ANY ELECTRICAL WORK IS CARRIED OUT BY A QUALIFIED ELECTRICIAN\*

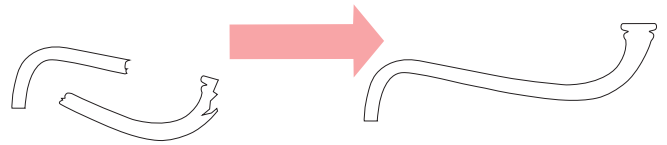
7 OF 7

BARONCELLI ⌘



## PHOTOGRAPH THE BREAKAGE

Ensure a clear side on image with a measuring tape along the breakage for scale is taken.



## IDENTIFY MATCHING COMPONENT

If possible, find matching component to take measurements from. i.e an arm or a cup.

