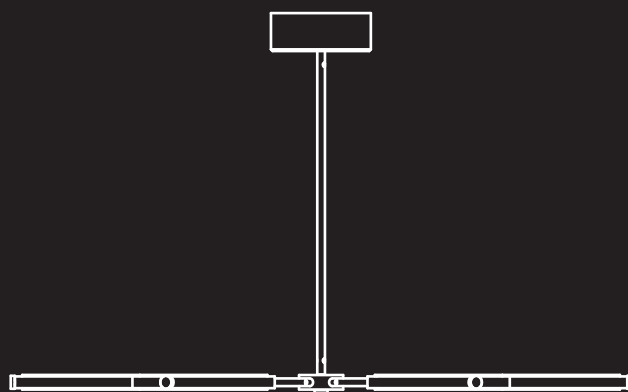
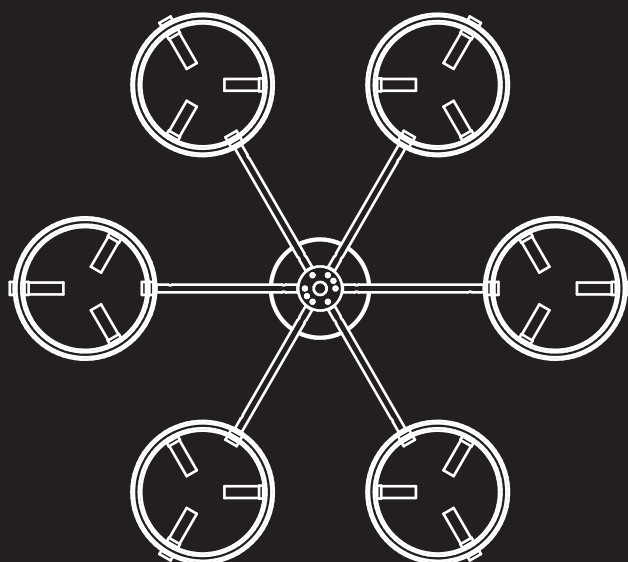


# ARLO PENDANT INSTALLATION INSTRUCTIONS 1 OF 4

BARONCELLI ⌘



## WHAT IS INCLUDED

1. Ceiling canopy
2. Stem
3. Arms
4. LED Driver

## WHAT YOU WILL NEED

1. Junction box fixings
2. Screwdriver (3.5mm / 1/8" flat tip) + pliers
3. Soft cloth
4. Hex Key

6 Lights

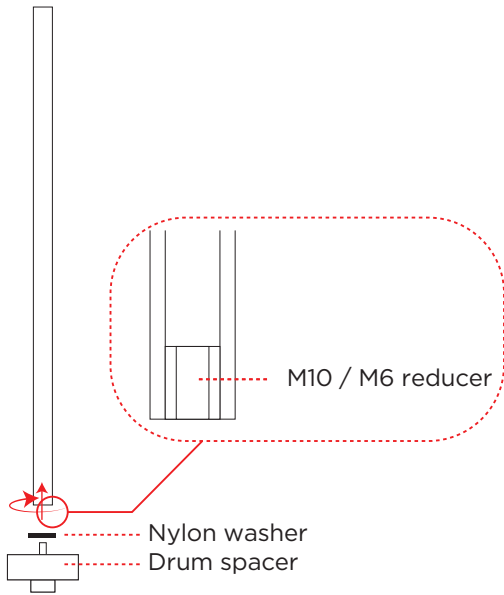
**WEIGHT**  
15kg (33lb)

# ARLO PENDANT

## INSTALLATION INSTRUCTIONS

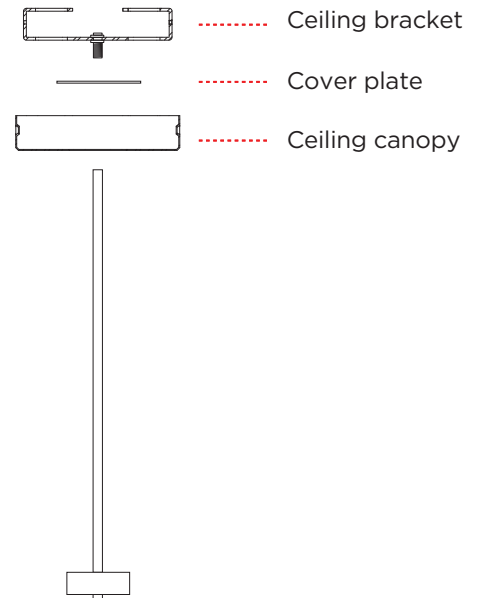
### 2 OF 4

BARONCELLI 



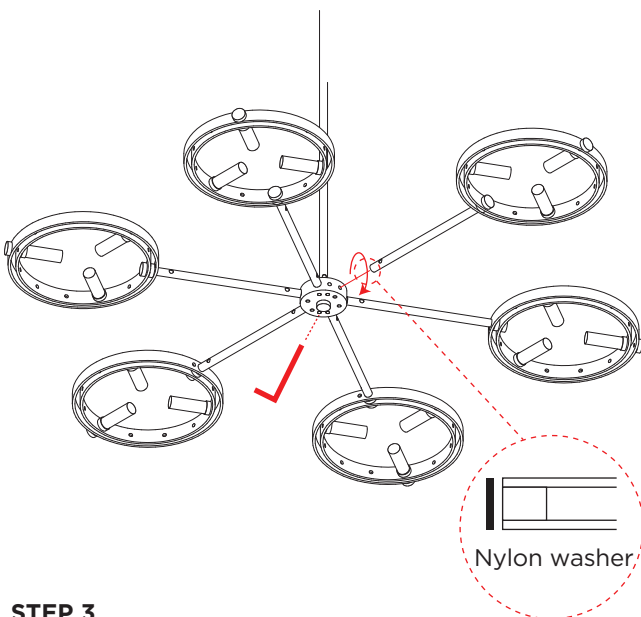
#### STEP 1

Assemble the central stem. Attach drum spacer to the end of the stem with M10 / M6 reducer. Ensure a small nylon washer is used between stem and the drum spacer.



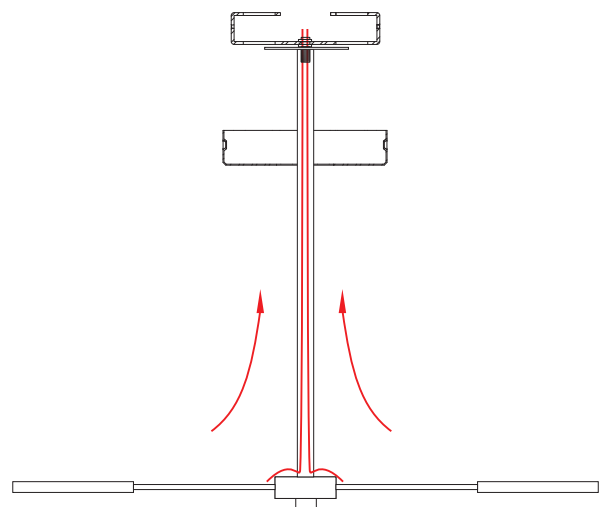
#### STEP 2

Pass the stem through ceiling canopy and secure onto ceiling bracket. Ensure to slide the cover plate between stem and ceiling bracket.



#### STEP 3

Attach arms into drum spacer and secure with hex key. Ensure a small nylon washer is used between stem and the drum spacer.



#### STEP 4

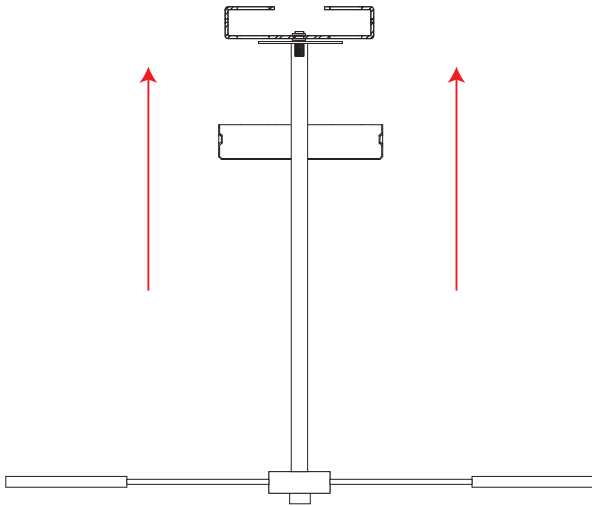
Chase electric cables up through stem.

# ARLO PENDANT

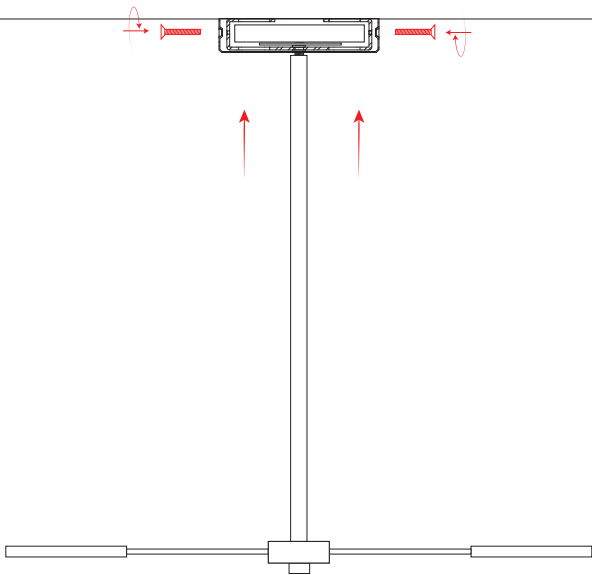
## INSTALLATION INSTRUCTIONS

### 3 OF 4

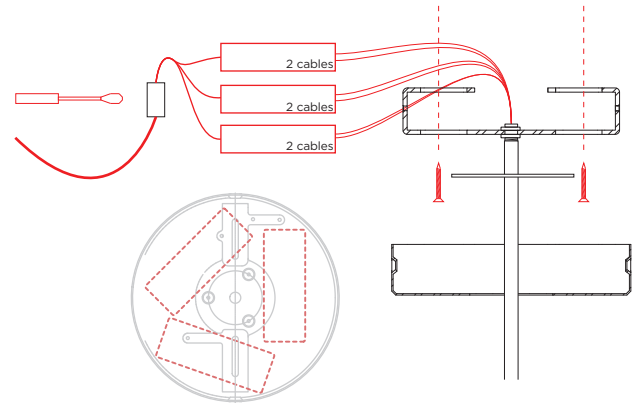
BARONCELLI ⌘



**STEP 5**  
Raise chandelier. This step will take minimum of two people.



**STEP 7**  
Test the electrical connections and secure the outer casing into position using 2 x screws.



**\*ENSURE ANY ELECTRICAL WORK IS CARRIED OUT BY A QUALIFIED ELECTRICIAN\***

**STEP 6**  
Securely fix canopy to ceiling beam or joist.  
Ensure the fixing is capable of taking the relevant load.

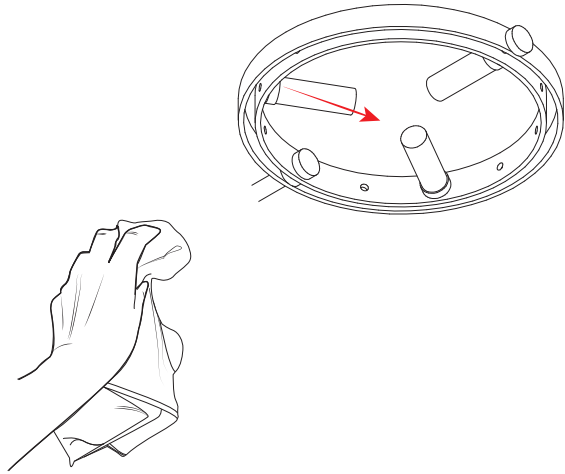
Make electrical connection.  
Connecting 2 cables into each driver.

NOTE: SCREW FIXINGS ARE NOT SUPPLIED

# OPERATION AND MAINTENANCE

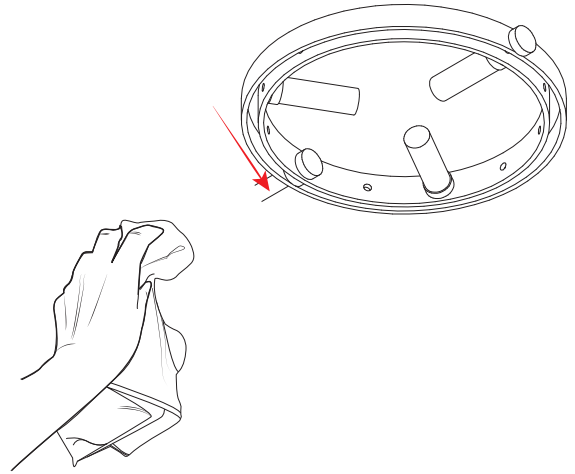
## 4 OF 4

BARONCELLI 



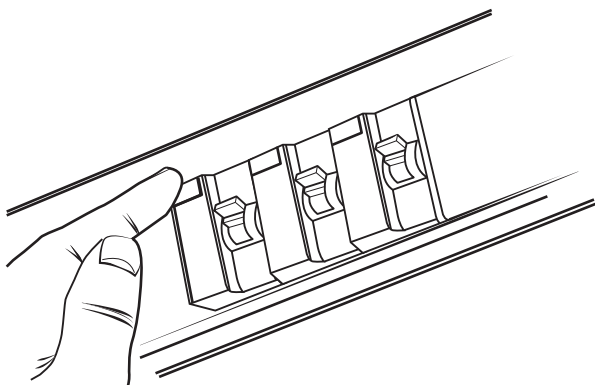
### GLASS CLEANING

Glass elements should be carefully cleaned using a soft cloth.

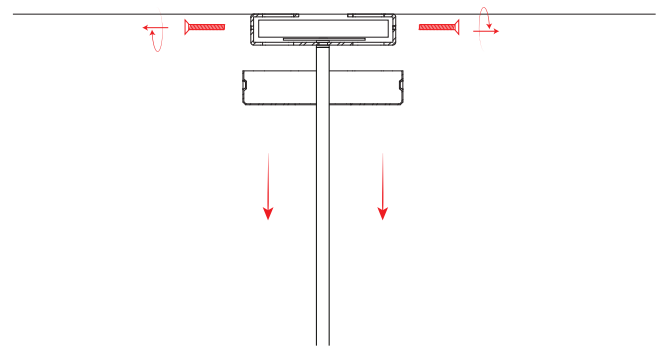


### METAL CLEANING

Carefully clean metal surfaces using a soft cloth and no liquid.



**STEP A**  
**TROUBLE SHOOTING - ELECTRICAL FAULTS**  
Check fusebaord



**STEP B**  
**TROUBLE SHOOTING - ELECTRICAL FAULTS**  
Lower ceiling canopy. Check/test connections.