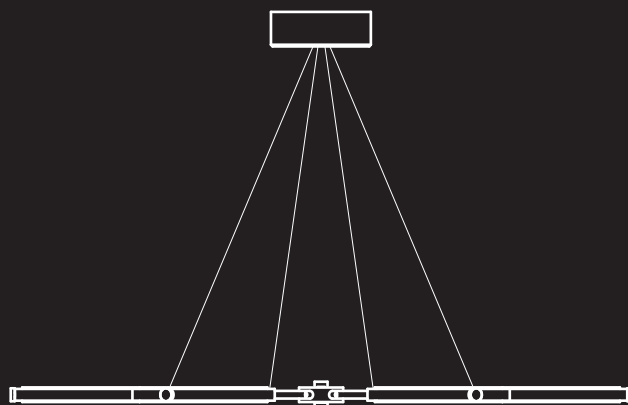
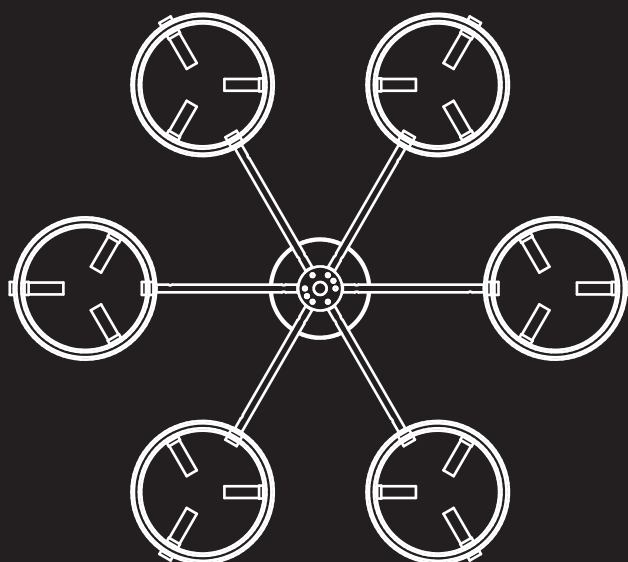


# ARLO PENDANT INSTALLATION INSTRUCTIONS 1 OF 5

BARONCELLI ⌘



## WHAT IS INCLUDED

1. Ceiling canopy
2. Suspension cables
3. Arms
4. Spheres
5. LED drivers

## WHAT YOU WILL NEED

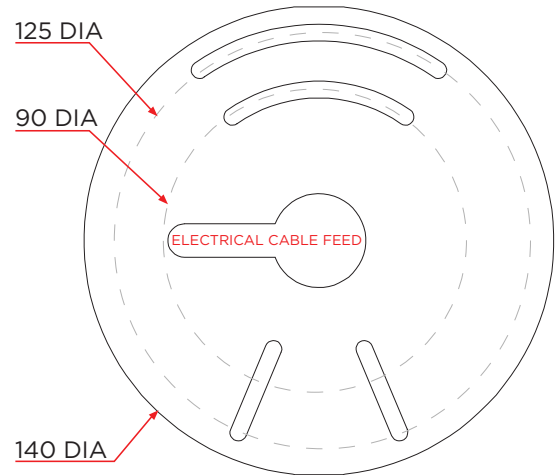
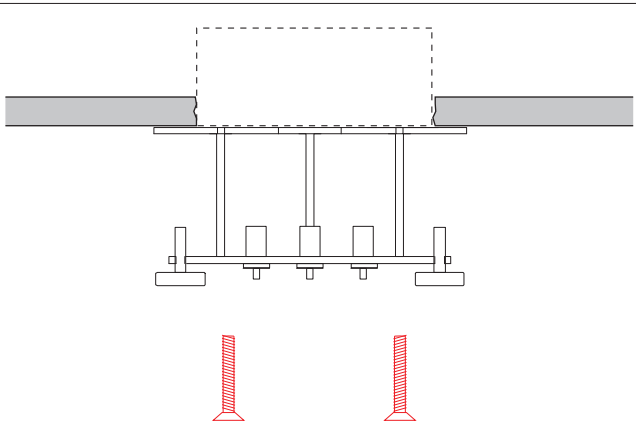
1. Junction box fixings
2. Screwdriver (3.5mm / 1/8" flat tip) + pliers
3. Soft cloth
4. Hex Key

6 Lights

**WEIGHT**  
15kg (33lb)

# ARLO PENDANT INSTALLATION INSTRUCTIONS 2 OF 5

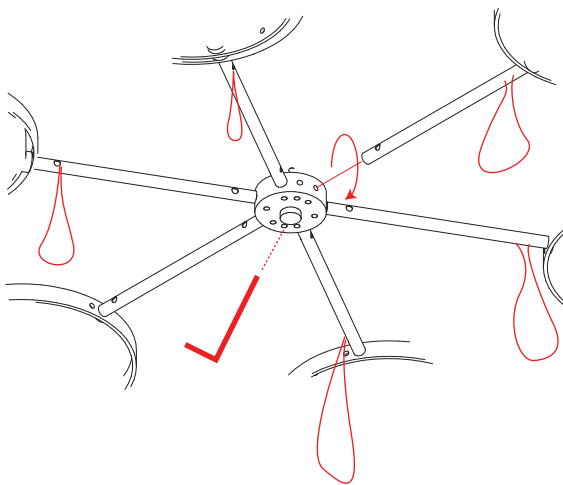
BARONCELLI 



## STEP 1

Securely fix the ceiling plate into a ceiling beam/joist (or Junction box for US) using a minimum of 2 fixings. Ensure the fixings are capable of taking the relevant weight.

NOTE: SCREW FIXINGS ARE NOT SUPPLIED



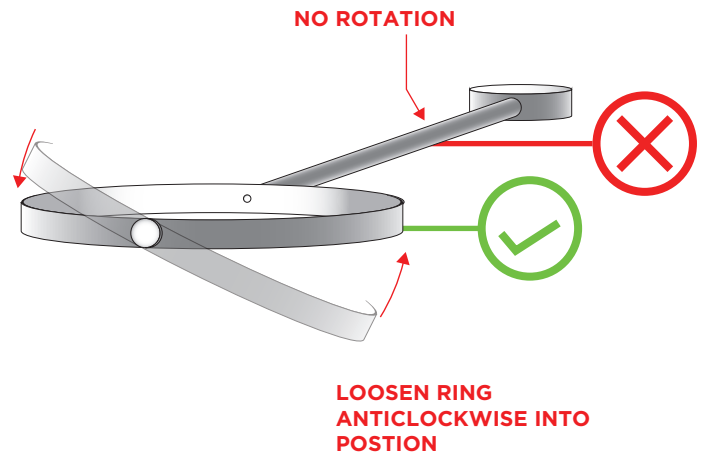
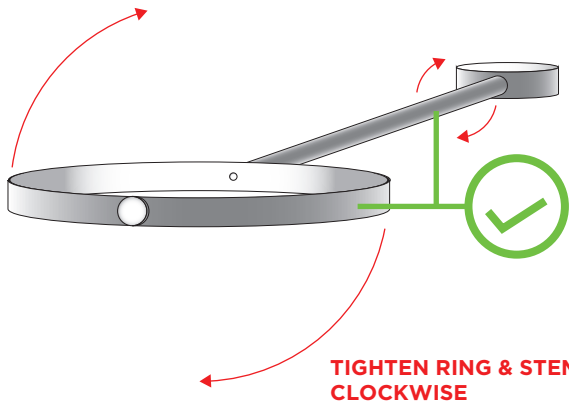
## STEP 2

Attach arms into drum spacers, tighten such that the rings are parallel to the floor/ceiling and secure beneath with hex key. Keep slack loop of cable free on each arm until arms are correctly in position.

SEE STEP 3 & 4 FOR TIGHTENING

# ARLO PENDANT INSTALLATION INSTRUCTIONS 3 OF 5

BARONCELLI 

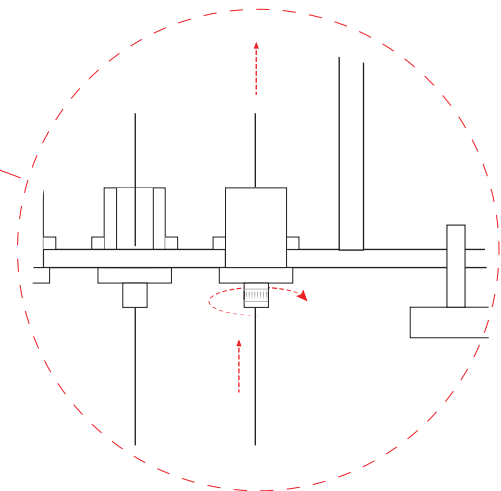
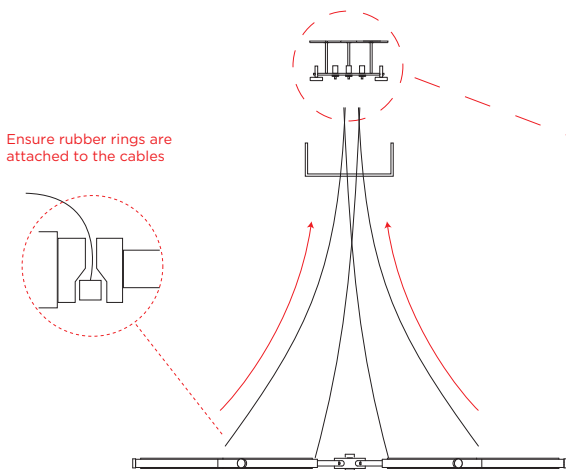


## STEP 3

Tighten each arm until it is secure into the drum spacer. The stem can be tightened by carefully gripping the ring to turn.

## STEP 4

If once tightened the ring is not in the appropriate position this can be loosened slightly to achieve this. When loosening, only the ring should be rotated, the stem must remain in position tightened against the drum spacer.



## STEP 5

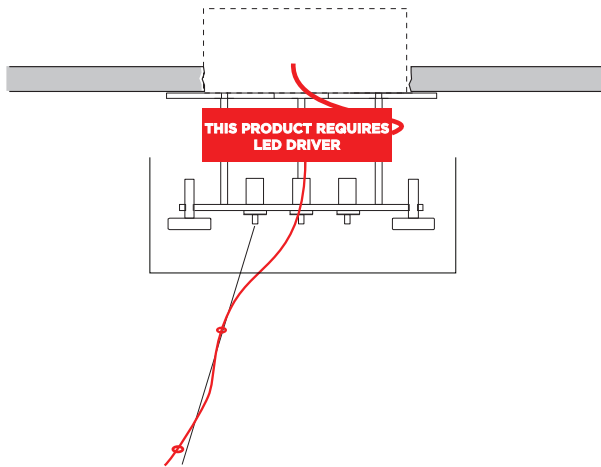
Thread the suspension cable up through the suspension spacers as shown allowing the stop ends to locate within the spacers. Pass suspension cables up through the ceiling canopy and into the gripper units. Tighten screw caps to lock grippers.

## GRIPPER AND SAFETY CAP

Each gripper will have a safety cap which needs to be unscrewed a little in order to allow the cable. To shorten a cable simply feed the cable back up into the gripper. To lengthen a cable push the loosened cap upwards and the gripper will disengage allowing the cable to pass through it.

# ARLO PENDANT INSTALLATION INSTRUCTIONS 4 OF 5

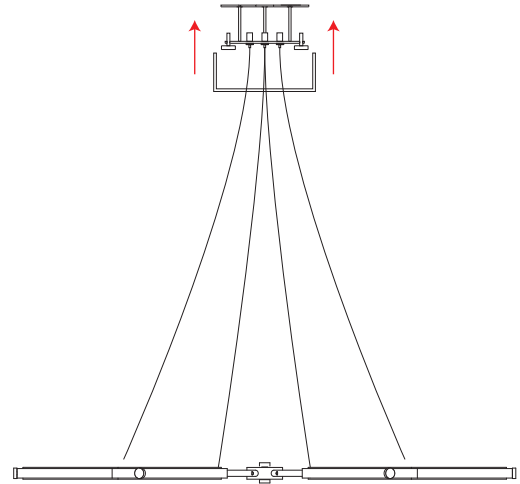
BARONCELLI ⌘



**\*ENSURE ANY ELECTRICAL WORK IS CARRIED OUT BY A QUALIFIED ELECTRICIAN\***

## STEP 6

Pass electrical cable up along suspension cable through rubber rings, make electrical connection to LED driver and securing driver in place.



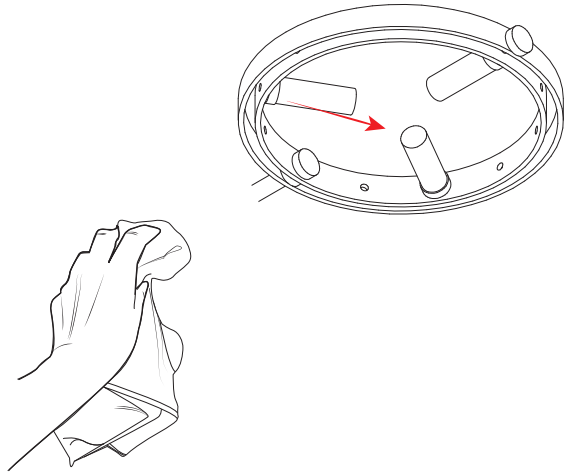
## STEP 7

Test the electrical connections and Raise canopy to cover.

# OPERATION AND MAINTENANCE

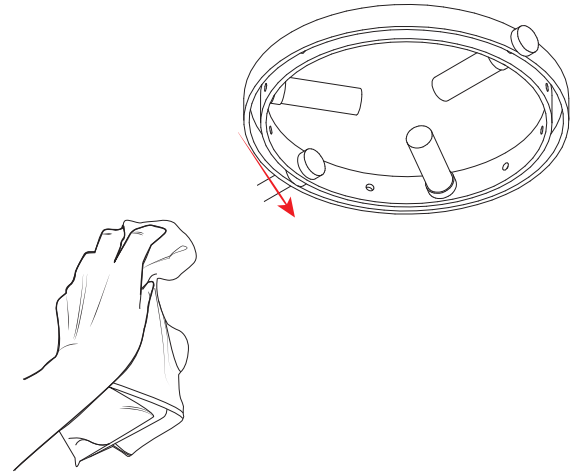
## 5 OF 5

BARONCELLI ⌘



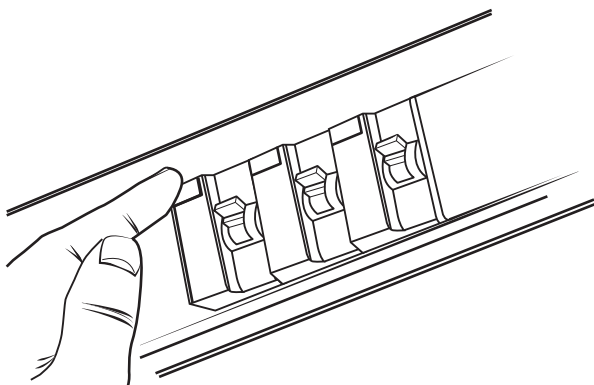
### GLASS CLEANING

Glass elements should be carefully cleaned using a soft cloth.

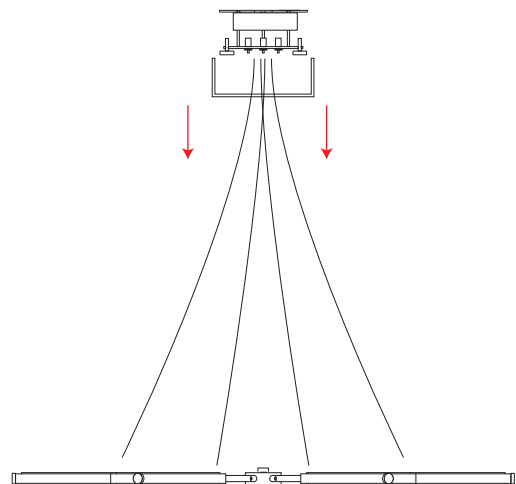


### METAL CLEANING

Carefully clean metal surfaces using a soft cloth and no liquid.



**STEP A**  
**TROUBLE SHOOTING - ELECTRICAL FAULTS**  
Check fuseboard



**STEP B**  
**TROUBLE SHOOTING - ELECTRICAL FAULTS**  
Lower ceiling canopy. Check/test connections.