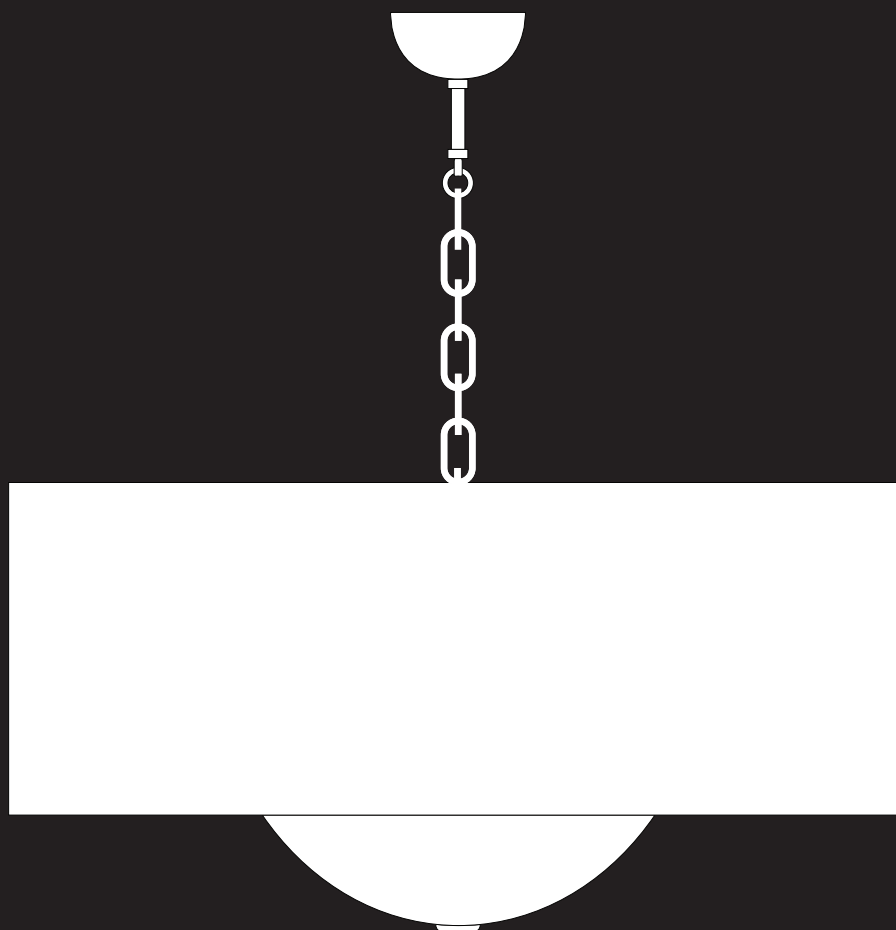


# COSMO PENDANT INSTALLATION INSTRUCTIONS 1 OF 6

BARONCELLI ⌘



## WHAT IS INCLUDED

1. Ceiling canopy glass
2. Chain
3. Shade & Lighting unit
2. Fondino glass

## WHAT YOU WILL NEED

1. Hook
2. Bulbs - E27 (240v) - max 60W - E26 (120v) - max 60W
3. Screwdriver (3.5mm / 1/8" flat tip) + pliers
4. Soft cloth

Small  
Large

## WEIGHTS

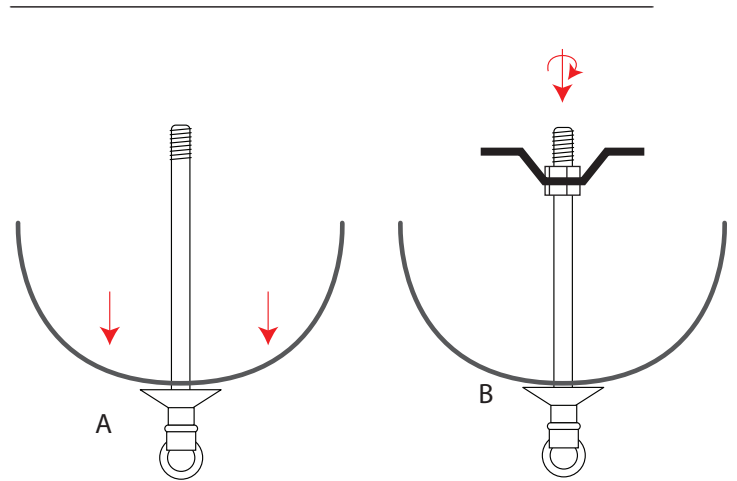
6kg (14lb)  
7kg (15lb)

# COSMO PENDANT

## INSTALLATION INSTRUCTIONS

### 2 OF 6

BARONCELLI ⌘



#### STEP 1

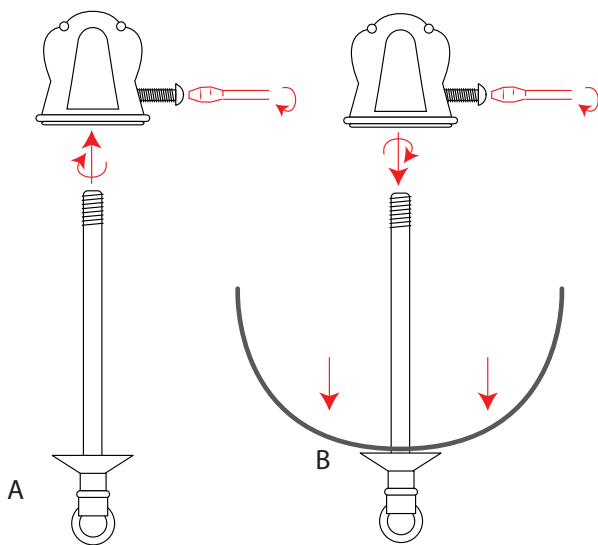
Secure a heavy-duty hook / a junction box (US) firmly into ceiling or joist. Make sure the ceiling or joist is capable of taking the relevant load.

NOTE: CEILING HOOK IS NOT SUPPLIED

#### STEP 2 (US)

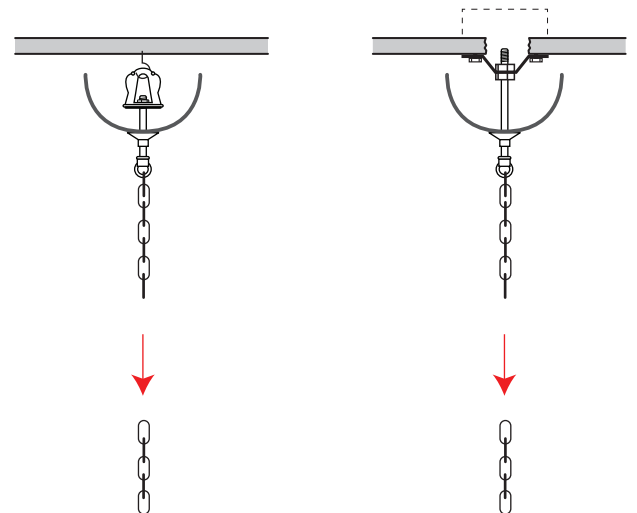
Pass the stem through the canopy then secure bracket bar using nuts above and below.

NOTE: BRACKET IS NOT SUPPLIED



#### STEP 2 (NON - US)

Remove top hook and place canopy onto the stem. Replace the top hook and secure with side screw.

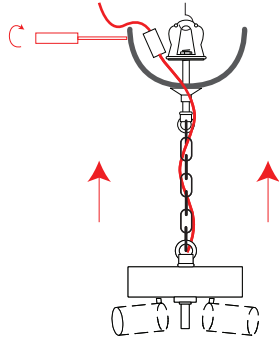


#### STEP 3

Hook to the ceiling / securely fasten bracket bar to the junction box (us). Ensure fixing is capable of taking the relevant load. Remove excess chain if required.

# COSMO PENDANT INSTALLATION INSTRUCTIONS 3 OF 6

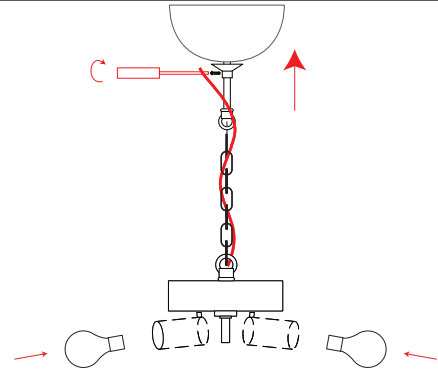
BARONCELLI ⌘



**\*ENSURE ANY ELECTRICAL WORK IS CARRIED OUT BY A QUALIFIED ELECTRICIAN\***

## STEP 4

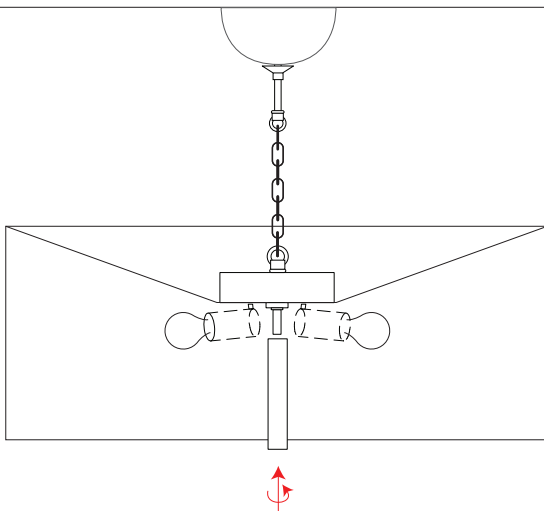
Weave cable up through the chain. Make electrical connections.



## STEP 5

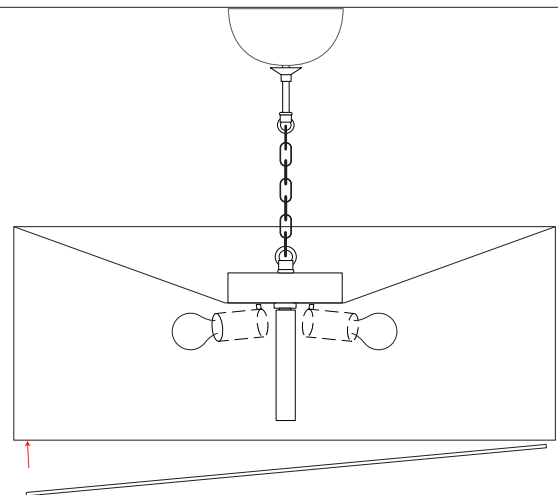
Insert bulbs and test. Raise canopy and secure using side screw.

**NOTE: 120V REQUIRE E26 AND 240V REQUIRE E27 (MAX 60W)**



## STEP 6

Raise shade into position and secure using white tube beneath.



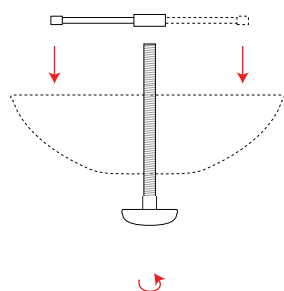
**NOTE:  
DIFFUSER IS IN THE TOP  
SECTION OF THE BOX**

## STEP 7

Insert diffuser into base of shade.

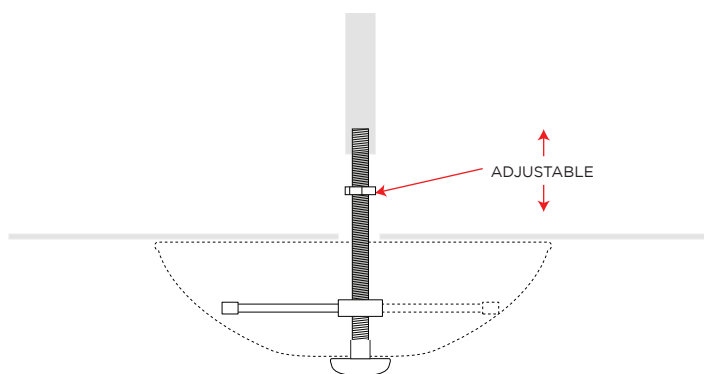
# COSMO PENDANT INSTALLATION INSTRUCTIONS 4 OF 6

BARONCELLI 



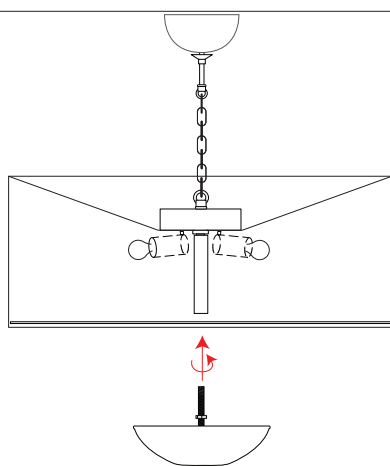
## STEP 8

Assemble fondino elements.



## STEP 9

Ensure the hex nut is in a position to enable the fondino and diffuser to sit flush with each other.



## STEP 10

Screw fondino assembly into position.

MURANO | NEW YORK | LONDON

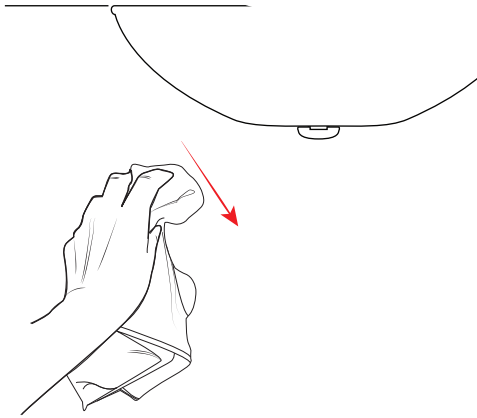
BARONCELLI.COM

© 2019 BARONCELLI

# OPERATION AND MAINTENANCE

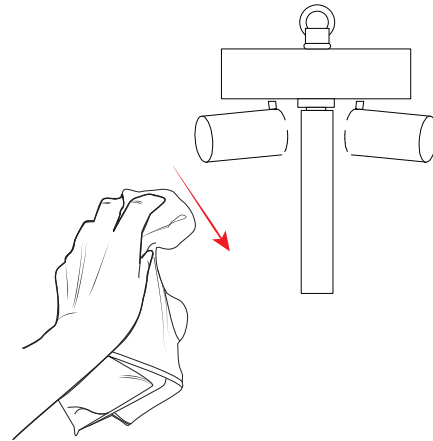
## 5 OF 6

BARONCELLI ⌘



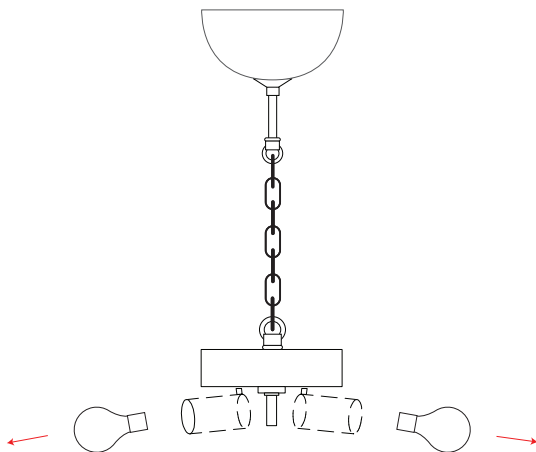
### GLASS CLEANING

Glass elements should be carefully cleaned using a soft cloth.



### METAL CLEANING

Carefully clean metal surfaces using a soft cloth and no liquid.



### REPLACING A BULB

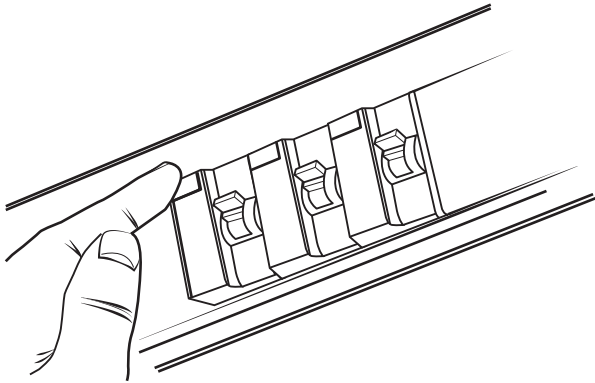
Ensure electricals are switched off and bulb has cooled down. Unscrew bulb and replace.

**NOTE: 120V REQUIRE E26 AND 240V REQUIRE E27 (MAX 60W)**

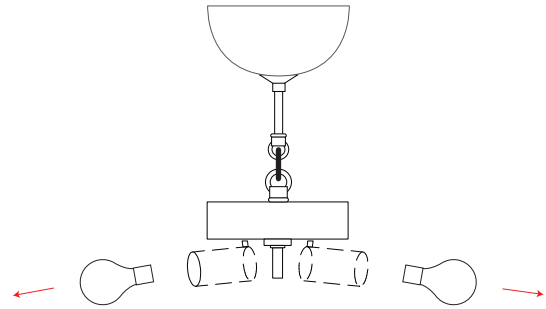
# OPERATION AND MAINTENANCE

## 6 OF 6

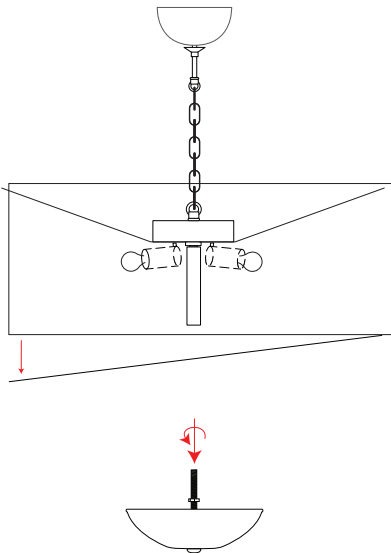
BARONCELLI ⌘



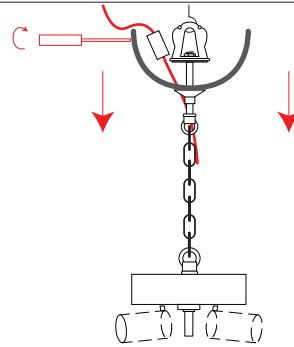
**STEP A**  
**TROUBLE SHOOTING - ELECTRICAL FAULTS**  
Check fuseboard



**STEP B**  
**TROUBLE SHOOTING - ELECTRICAL FAULTS**  
Check and replace the bulbs.  
**NOTE: 120V REQUIRE E26 AND 240V REQUIRE E27 (MAX 60W)**



**STEP C**  
**TROUBLE SHOOTING - ELECTRICAL FAULTS**  
Retrace installation steps to release glass. Check/test lamp holder.



**STEP D**  
**TROUBLE SHOOTING - ELECTRICAL FAULTS**  
Lower ceiling canopy. Check/test connections.