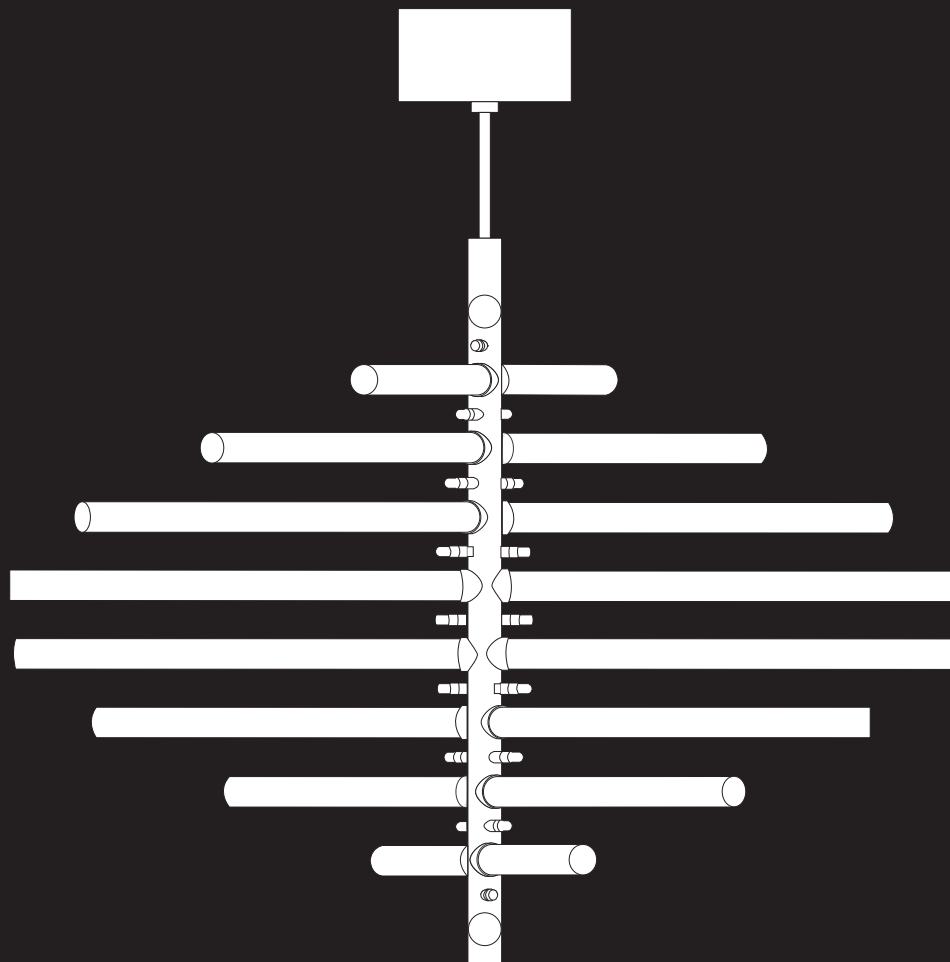


EOS PENDANT INSTALLATION INSTRUCTIONS 1 OF 5

BARONCELLI ⌘



WHAT IS INCLUDED

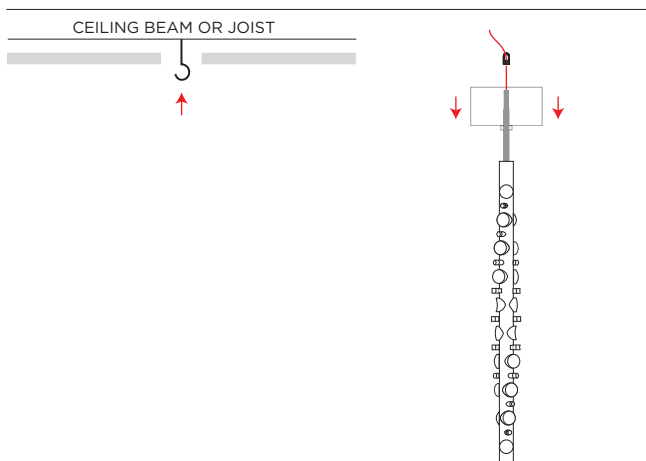
1. Ceiling canopy
2. Transformer (240v - 12v) / (120v - 12v)

WHAT YOU WILL NEED

1. Ceiling fixings / Junction box fixings
2. Bulbs - G4 (240v) / G4 (120v) - Max 15W
3. Screwdriver (3.5mm / 1/8" flat tip) + pliers
4. Soft cloth

EOS PENDANT INSTALLATION INSTRUCTIONS 2 OF 5

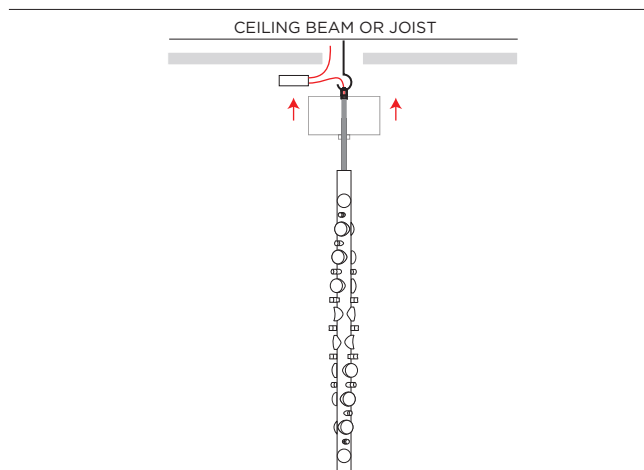
BARONCELLI 



STEP 1

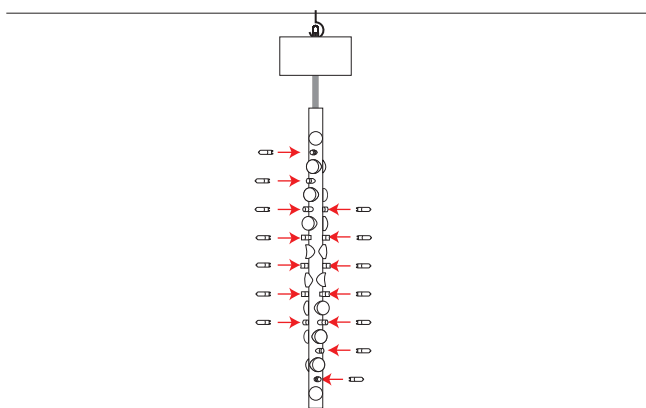
Using a heavy duty hook secured firmly into a beam or joist. Ensure it is capable of the relevant weight. Pass the stem through the ceiling canopy and attach eyebolt.

NOTE : CEILING HOOK IS NOT SUPPLIED



STEP 2

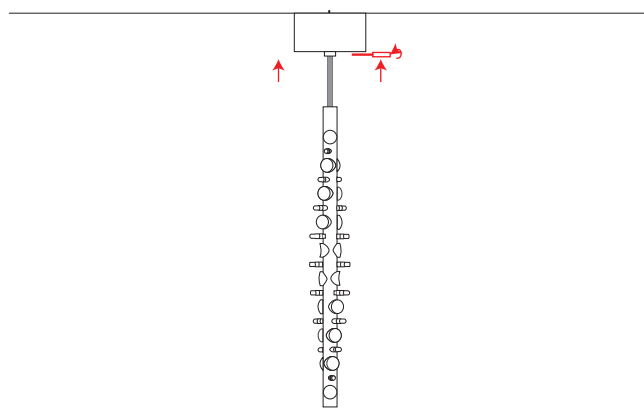
Hook the stem to the ceiling and connect the electricity.



NOTE: G4 (240v) / G4 (120v) - Max 15W

STEP 3

Attach all bulbs and test.

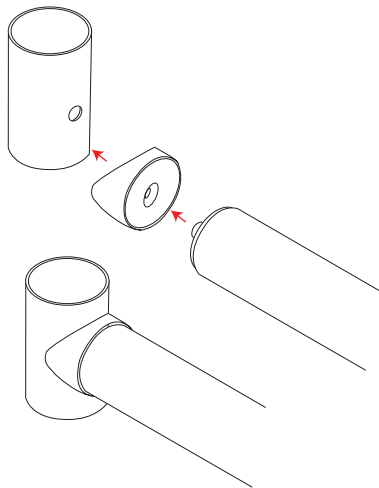


STEP 4

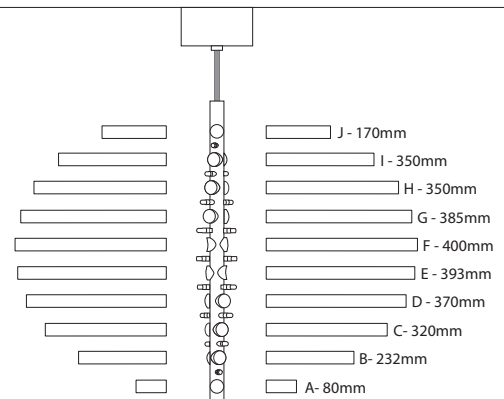
Raise ceiling canopy and screw using side screws to fix into place.

EOS PENDANT INSTALLATION INSTRUCTIONS 3 OF 5

BARONCELLI 



STEP 5
Attach the glass elements to the fixing on the stem.



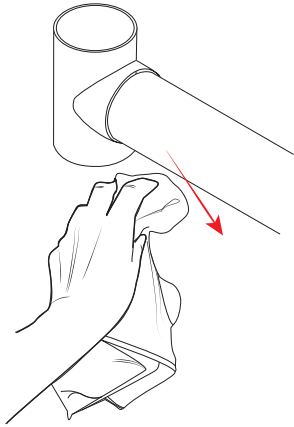
STEP 6
Ensure glass elements correspond in accordance to the illustration above.

Note: Ensure to install one glass element at a time for each side.

OPERATION AND MAINTENANCE

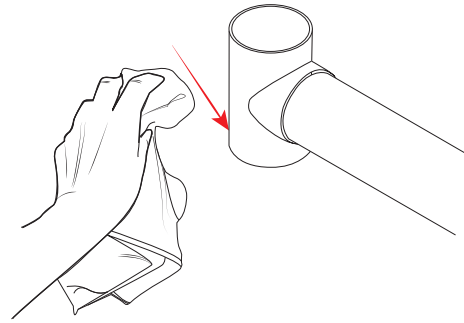
4 OF 5

BARONCELLI ⌘



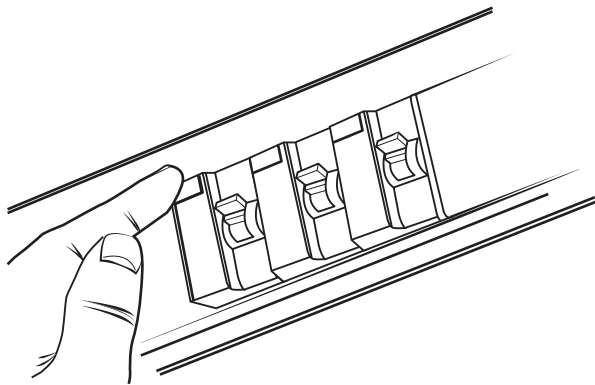
GLASS CLEANING

Glass elements should be carefully cleaned using a soft cloth.



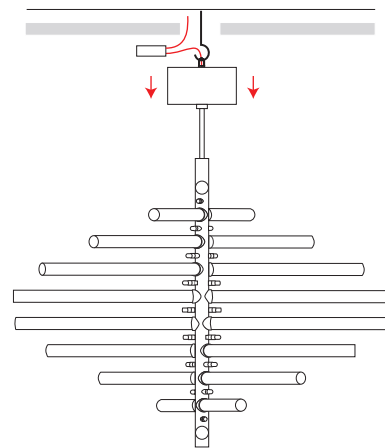
METAL CLEANING

Carefully clean metal surfaces using a soft cloth and no liquid.



STEP A TROUBLE SHOOTING - ELECTRICAL FAULTS

Check fusebaord



STEP B TROUBLE SHOOTING - ELECTRICAL FAULTS

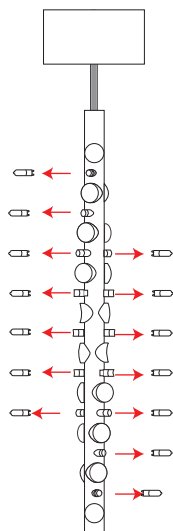
Lower the ceiling canopy to check/test connections.

OPERATION AND MAINTENANCE

ENSURE ANY ELECTRICAL WORK IS CARRIED OUT BY A QUALIFIED ELECTRICIAN

5 OF 5

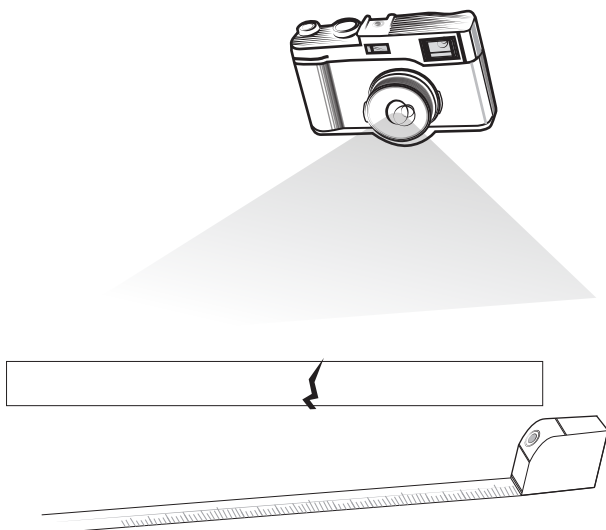
BARONCELLI ⌘



NOTE: G4 (240v) / G4 (120v) - Max 15W

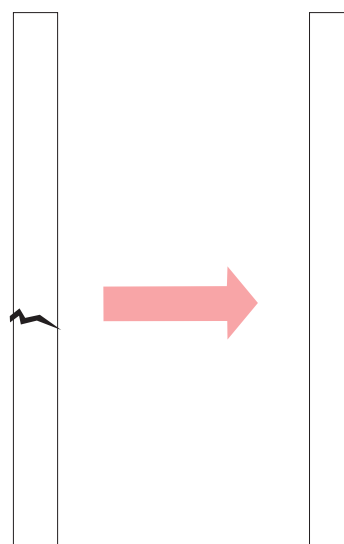
REPLACING A BULB

Ensure electricals are switched off and bulb has cooled down. Remove bulb and replace.



PHOTOGRAPH THE BREAKAGE

Ensure a clear side on image with a measuring tape along the breakage for scale is taken.



IDENTIFY MATCHING COMPONENT

If possible, find matching component to take measurements from. i.e an arm or a cup.