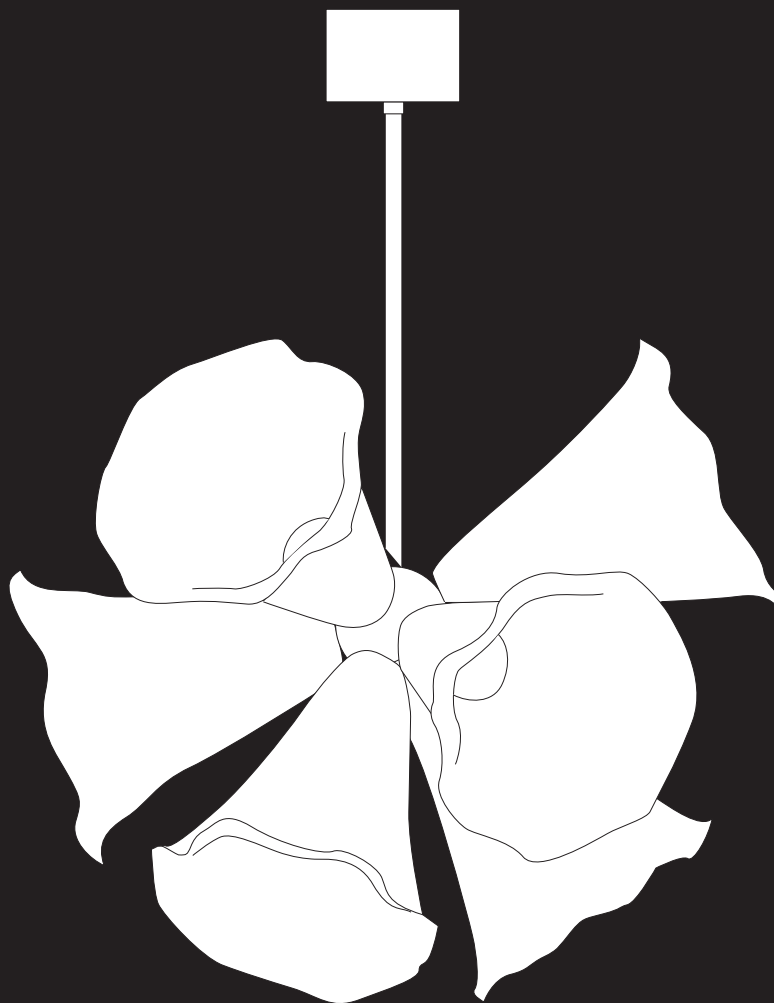


# FLORIS PENDANT INSTALLATION INSTRUCTIONS 1 OF 4

BARONCELLI ⌘



## WHAT IS INCLUDED

1. Ceiling canopy
2. Stem
3. Spares

## WHAT YOU WILL NEED

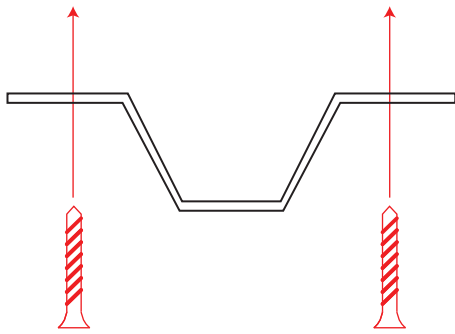
1. Hook
2. Bulbs
3. Screwdriver (3.5mm / 1/8" flat tip) + pliers
4. Soft cloth

# FLORIS PENDANT

## INSTALLATION INSTRUCTIONS

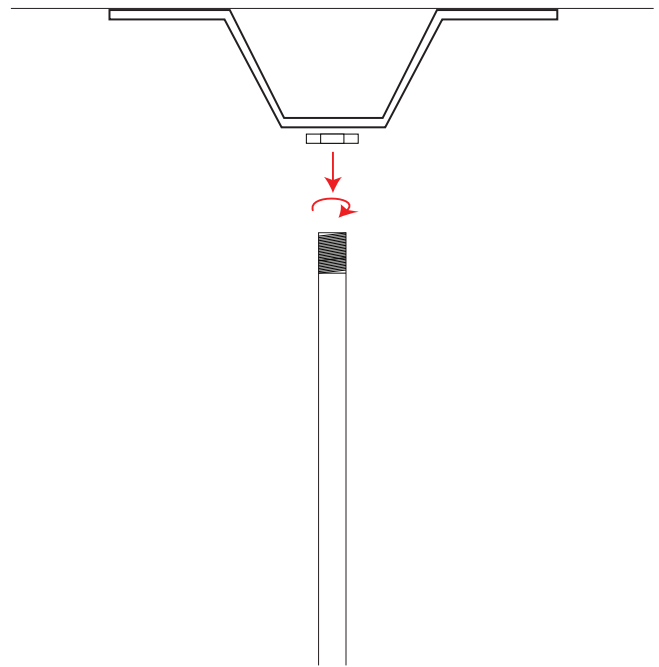
### 2 OF 4

BARONCELLI ⌘



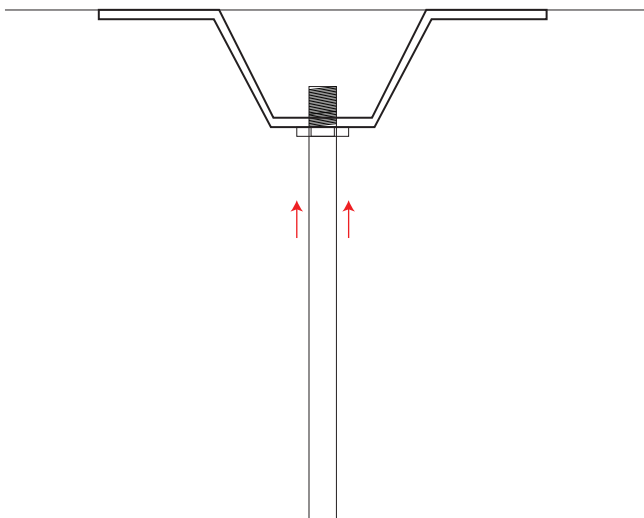
#### STEP 1

Secure bracket to joist in the ceiling. Ensure fixing is capable of taking a 15kg load.



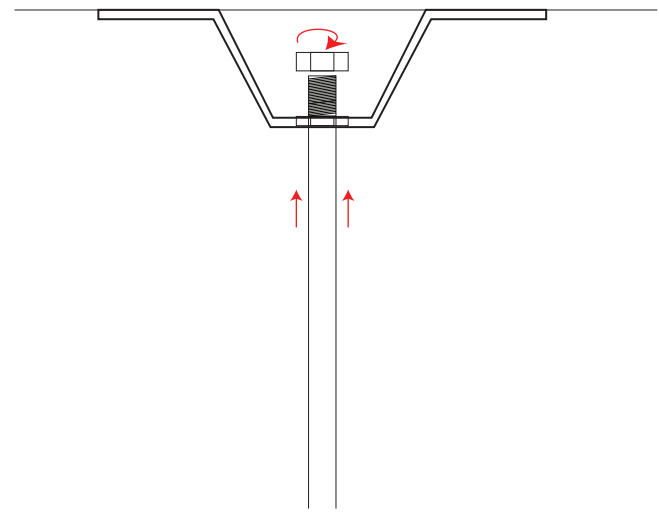
#### STEP 2

Screw Hex nut onto top of the stem.



#### STEP 3

Pass the stem through the hole in the ceiling plate.

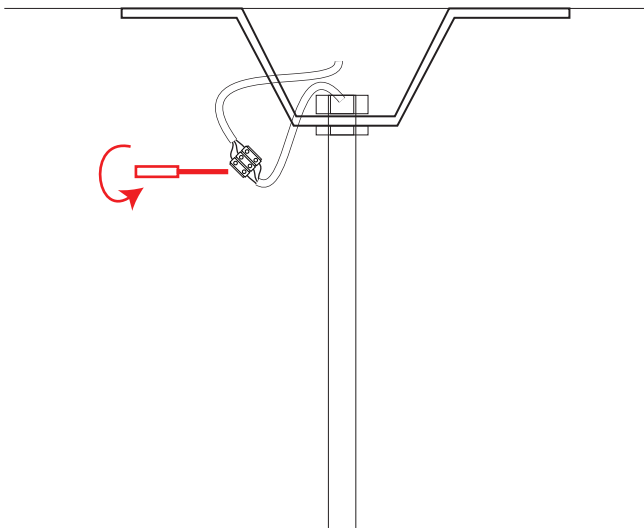


#### STEP 4

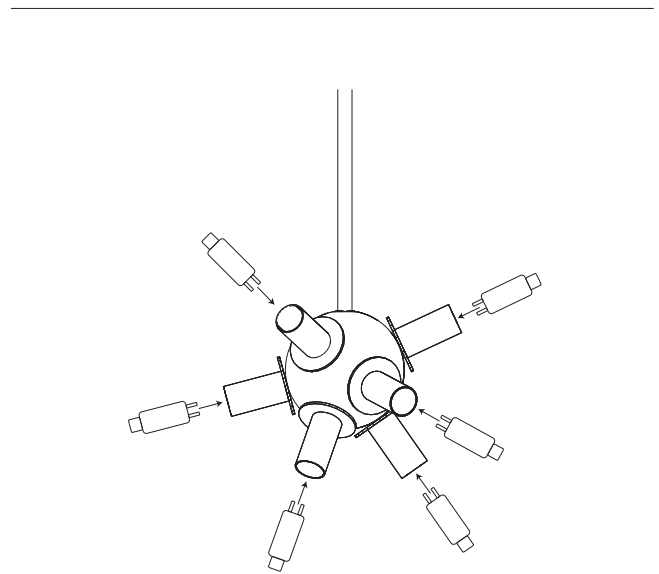
Secure stem in place using hex nut above bracket.

# FLORIS PENDANT INSTALLATION INSTRUCTIONS 3 OF 4

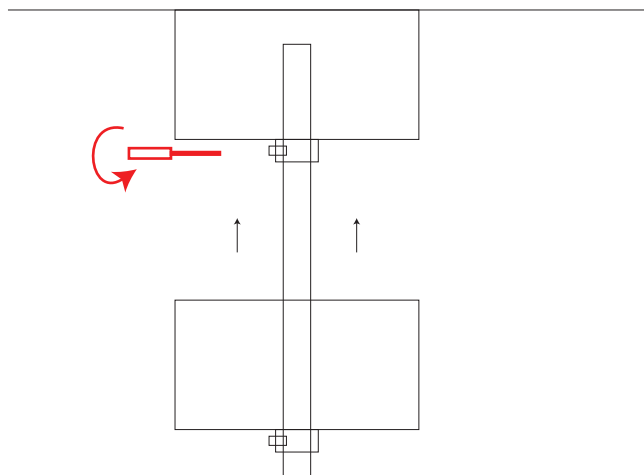
BARONCELLI ⌘



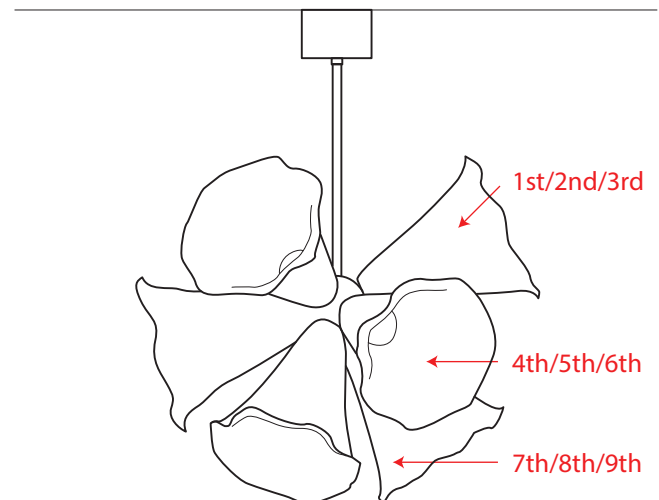
**STEP 5**  
Secure bracket to joist in the ceiling. Ensure fixing is capable of taking a 15kg load.



**STEP 6**  
Insert a bulb into each bulb holder, test electrics are working then remove bulbs.



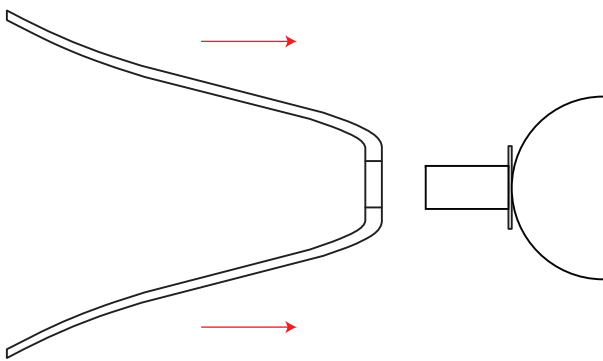
**STEP 7**  
Loosen the grub screw below the ceiling canopy, raise the ceiling rose to its highest position and secure by retightening the grub screw.



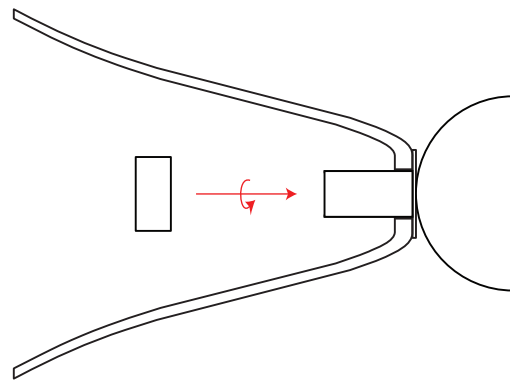
**STEP 8**  
Install the glass elements bulbs and pyrex diffusers by following steps 9 - 12. Begin at the top and work downwards.

# FLORIS PENDANT INSTALLATION INSTRUCTIONS 4 OF 4

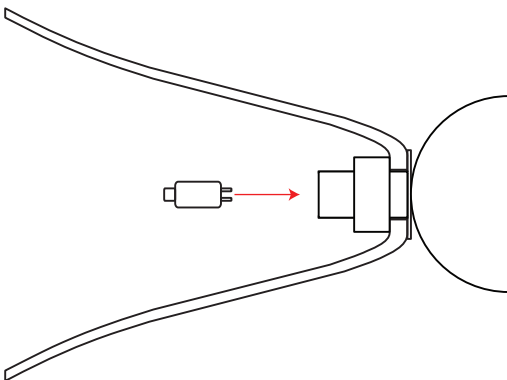
BARONCELLI ⌘



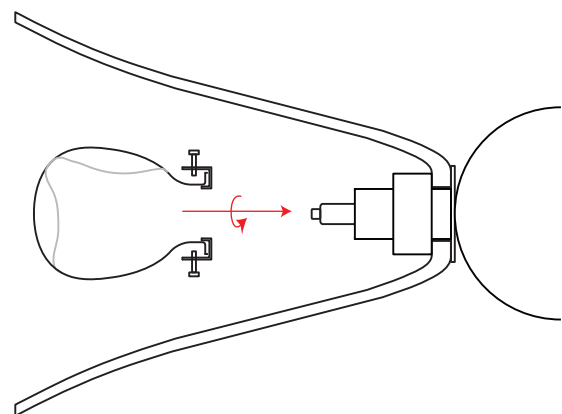
**STEP 9**  
Slide glass element over the threaded bulb holder cover.



**STEP 10**  
Secure glass element in place by screwing the fastening ring onto the threaded bulb holder.



**STEP 11**  
Secure glass element in place by screwing the fastening ring onto the threaded bulb holder.



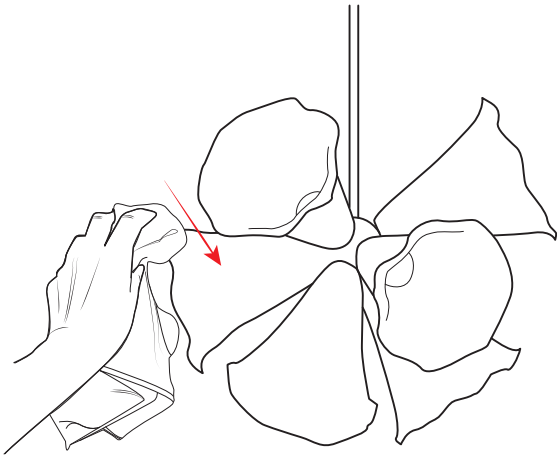
**STEP 12**  
Screw pyrex diffuser onto threaded bulb holder.

# OPERATION AND MAINTENANCE

\*ENSURE ANY ELECTRICAL WORK IS CARRIED OUT BY A QUALIFIED ELECTRICIAN\*

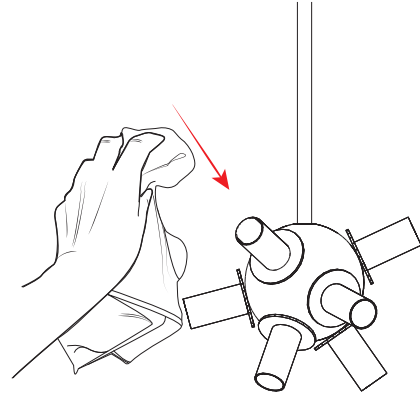
5 OF 6

BARONCELLI ⌘



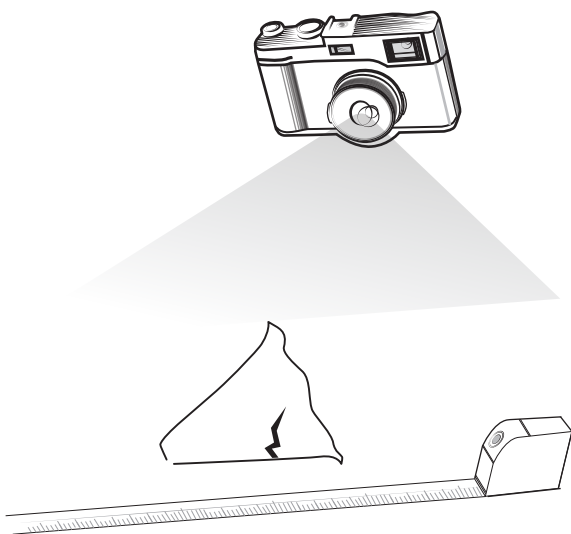
## GLASS CLEANING

Glass elements should be carefully cleaned using a soft cloth and no liquid.



## METAL CLEANING

Carefully clean metal surfaces using a soft cloth and no liquid.



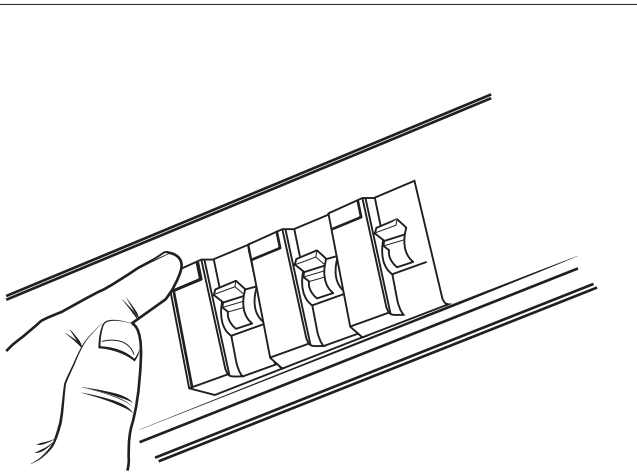
## PHOTOGRAPH THE BREAKAGE

Ensure a clear side on image with a measuring tape along the breakage for scale is taken.

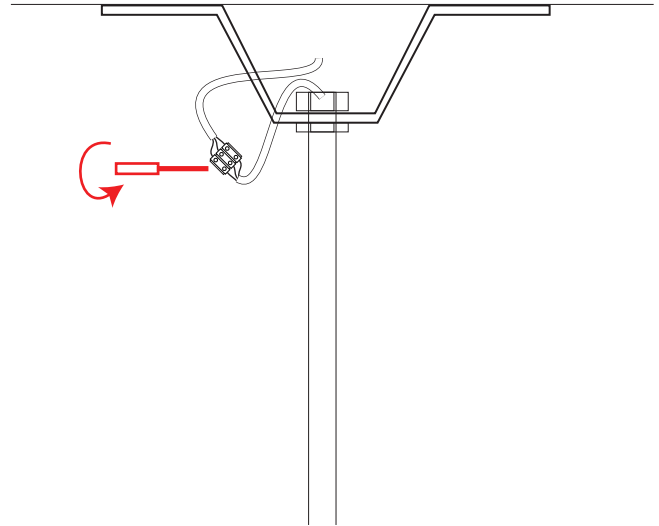
# OPERATION AND MAINTENANCE

\*ENSURE ANY ELECTRICAL WORK IS CARRIED OUT BY A QUALIFIED ELECTRICIAN\*

## 6 OF 6



**STEP A**  
**TROUBLE SHOOTING - ELECTRICAL FAULTS**  
Check fusebaord



**STEP B**  
**TROUBLE SHOOTING - ELECTRICAL FAULTS**  
Retrace installation steps to access connector within ceiling canopy or ceiling void.