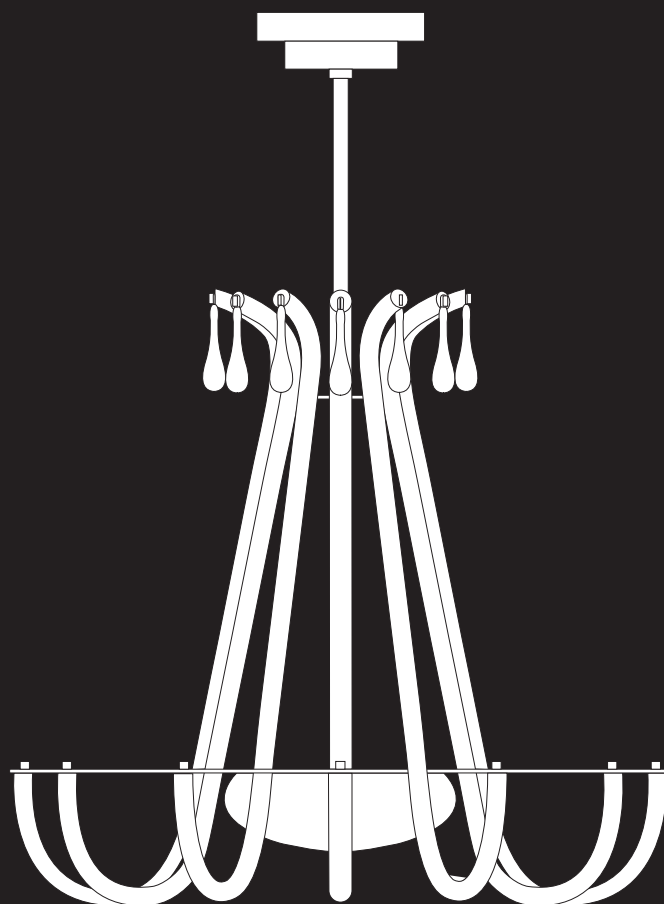


LEOPOLDO CHANDELIER INSTALLATION INSTRUCTIONS 1 OF 3

BARONCELLI ⌘



WHAT IS INCLUDED

1. Ceiling canopy
2. Stem and plate attachments
3. Spares

WHAT YOU WILL NEED

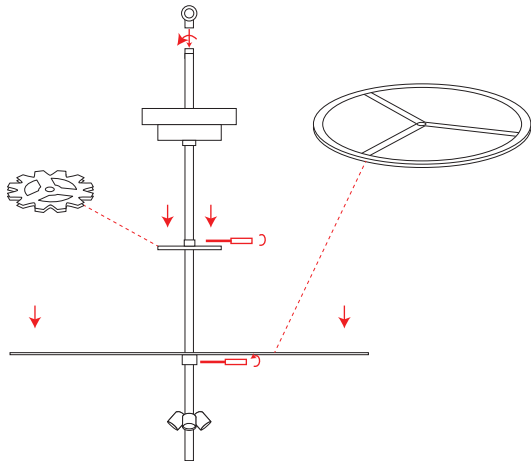
1. Hook/Junction box fixings
2. Bulbs - G9 (240v) / G9 (120v) - Max 75W
3. Screwdriver (3.5mm / 1/8" flat tip) + pliers
4. Soft cloth

LEOPOLDO CHANDELIER

INSTALLATION INSTRUCTIONS

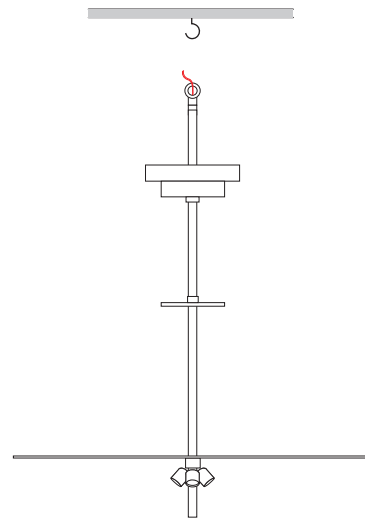
2 OF 3

BARONCELLI ⌘



STEP 1

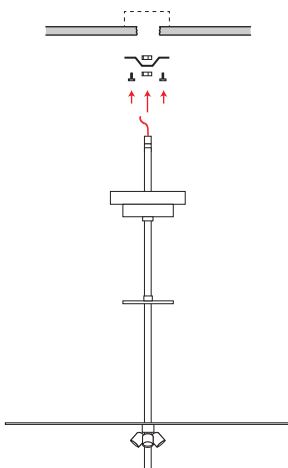
Assemble central elements. Slide on the large disc and the small disc onto the frame. Feed the electrical cable through the hole in the hook then screw on the hook at the top of the stem. Fasten discs in place using grub screws.



STEP 2

Using a heavy-duty hook secured firmly into a joist, hook the stem onto the hook. Please refer to weights on front cover sheet.

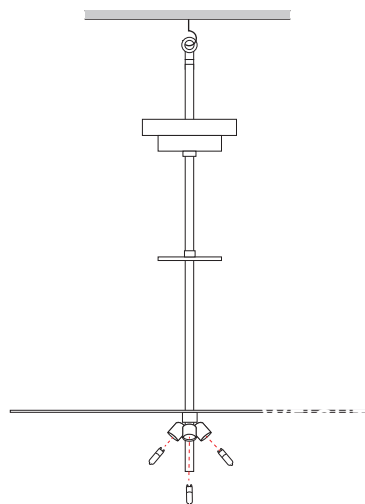
NOTE: CEILING HOOK IS NOT ATTACHED



STEP 2 (U.S)

Securely fasten bracket bar to the junction box. Pass the stem through the bracket bar and secure using nuts above and below. Ensure hook is capable of taking the respective weight. Remove excess chain to determine full drop.

NOTE: BRACKET IS NOT SUPPLIED



STEP 3

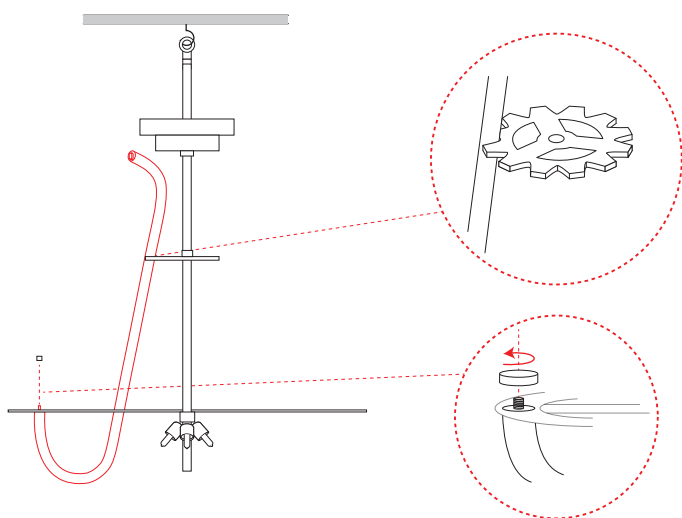
Insert bulbs and test electrics.

LEOPOLDO CHANDELIER

INSTALLATION INSTRUCTIONS

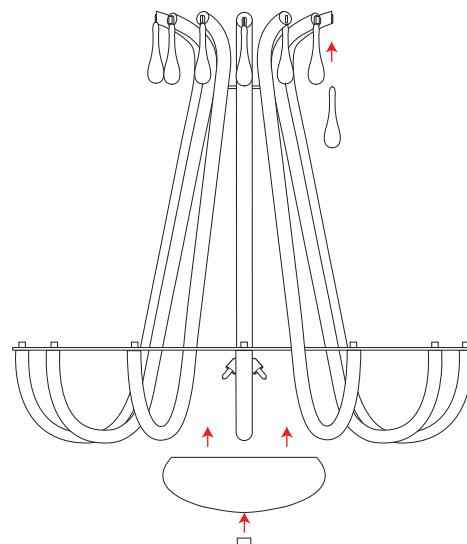
3 OF 3

BARONCELLI 



STEP 4

Fix in the glass rods as shown above. Secure in the rod by feeding it through the hole in the larger base plate and secure using screw top. Repeat motion until circle is complete.



STEP 6

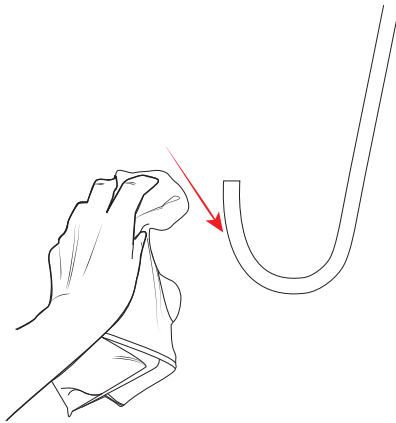
Raise bowl and fix in place. Attach hanging glass elements to the top of the glass rods.

OPERATION AND MAINTENANCE

ENSURE ANY ELECTRICAL WORK IS CARRIED OUT BY A QUALIFIED ELECTRICIAN

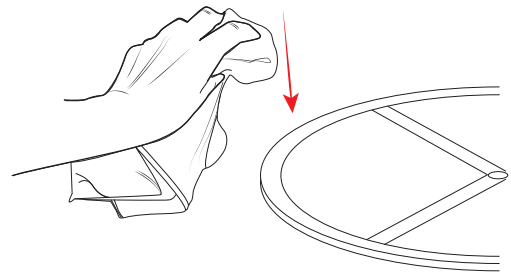
4 OF 6

BARONCELLI 



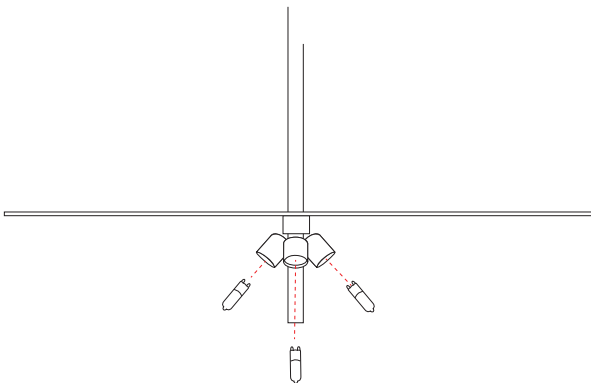
GLASS CLEANING

Glass elements should be carefully cleaned using a soft cloth.



METAL CLEANING

Carefully clean metal surfaces using a soft cloth and no liquid.



REPLACING A BULB

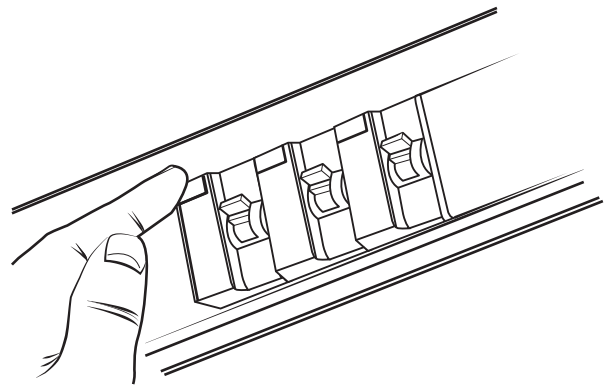
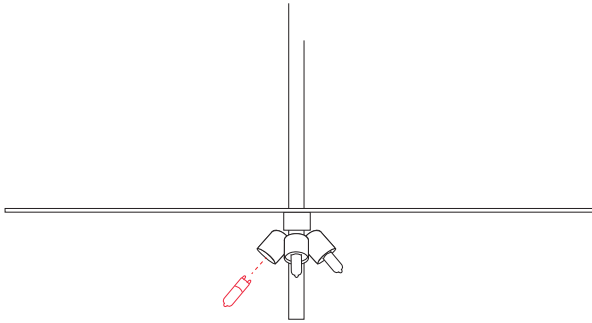
Retrace installation steps to access bulb. Ensure bulb has cooled down before removing.

OPERATION AND MAINTENANCE

ENSURE ANY ELECTRICAL WORK IS CARRIED OUT BY A QUALIFIED ELECTRICIAN

5 OF 6

BARONCELLI

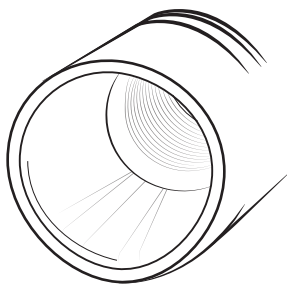


STEP A TROUBLE SHOOTING - ELECTRICAL FAULTS

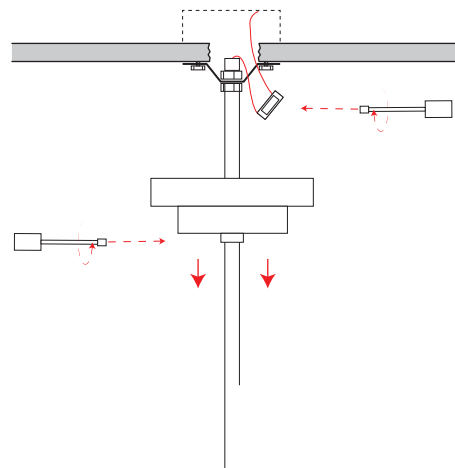
If only a single bulb is not working, check, remove and replace the bulb.

STEP B TROUBLE SHOOTING - ELECTRICAL FAULTS

Check fuseboard



LAMP HOLDER



STEP C TROUBLE SHOOTING - ELECTRICAL FAULTS

Check/test lamp holder. Retrace installation steps to access.

STEP D TROUBLE SHOOTING - ELECTRICAL FAULTS

Retrace installation steps to access electrical components . Check/test connections.