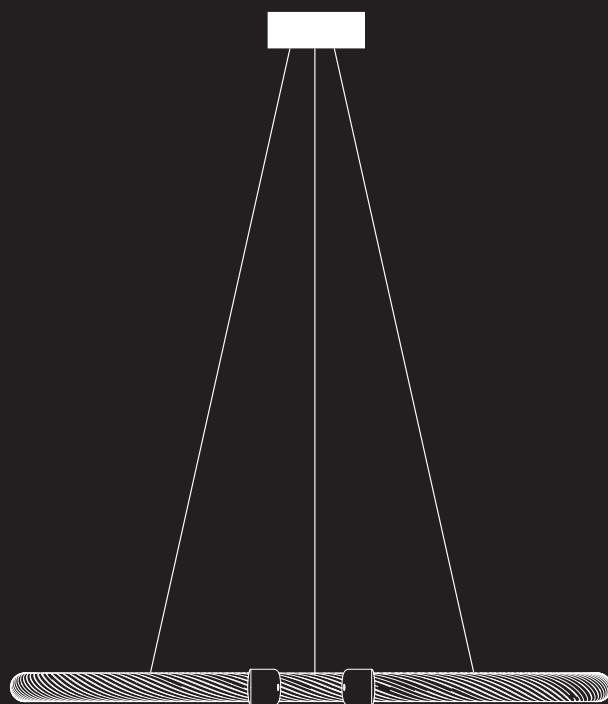
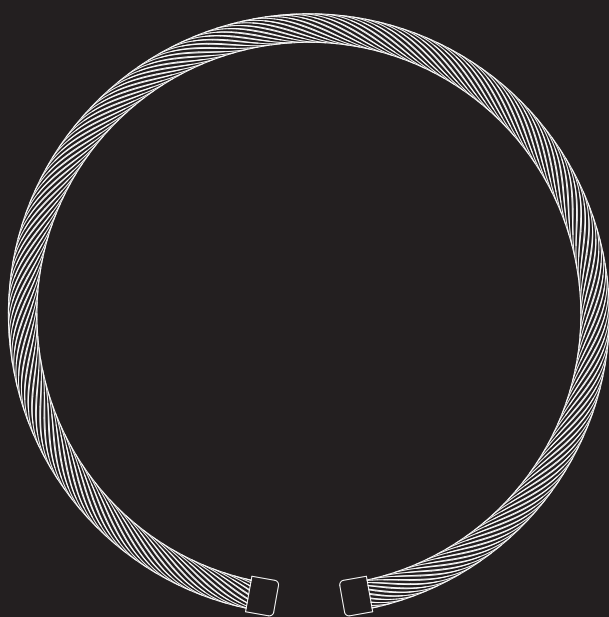


MICO 1200 PENDANT INSTALLATION INSTRUCTIONS 1 OF 6

BARONCELLI ⌘



WHAT IS INCLUDED

1. Ceiling canopy
2. Suspension cable
3. LED ring
4. LED driver

WHAT YOU WILL NEED

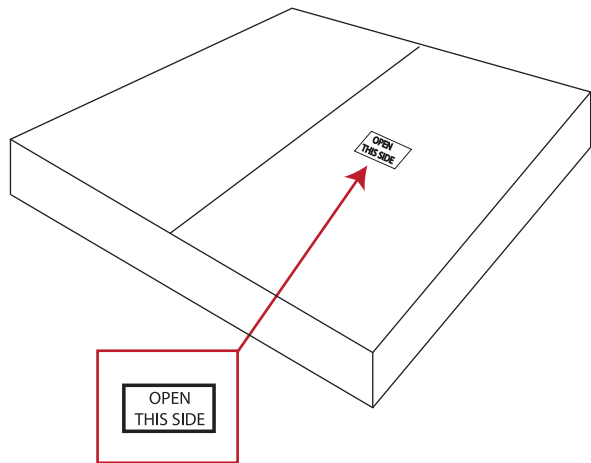
1. Screws
2. Screwdriver (3.5mm / 1/8" flat tip) + pliers
3. Soft cloth

WEIGHTS

1200 DIA 16kg (35LB)

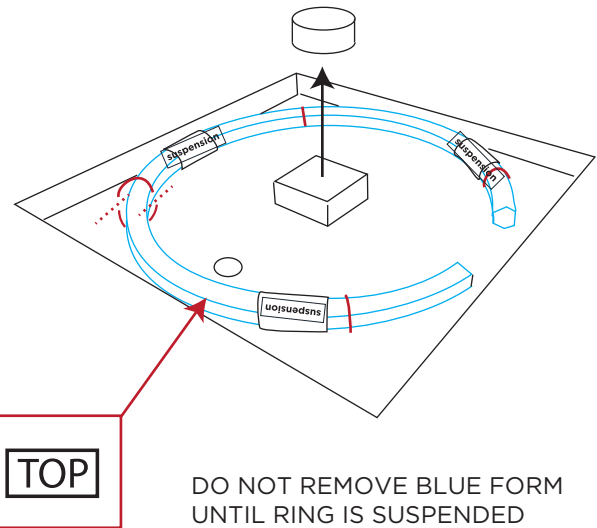
MICO 1200 PENDANT INSTALLATION INSTRUCTIONS 2 OF 6

BARONCELLI 



STEP 1

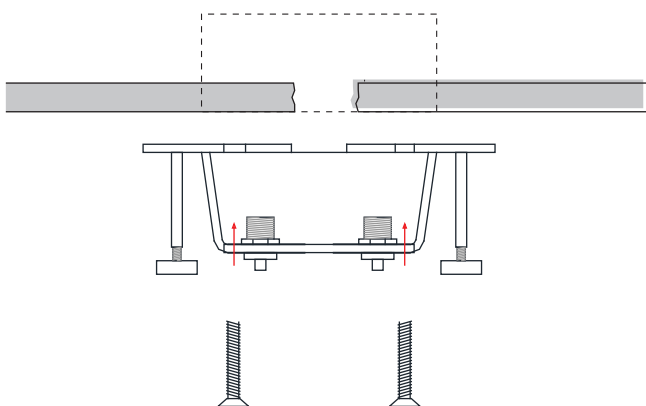
Ensure box is laid flat and opened from the correct side.



STEP 2

Remove canopy from centre of box. Release cable ties to remove pendant ring.

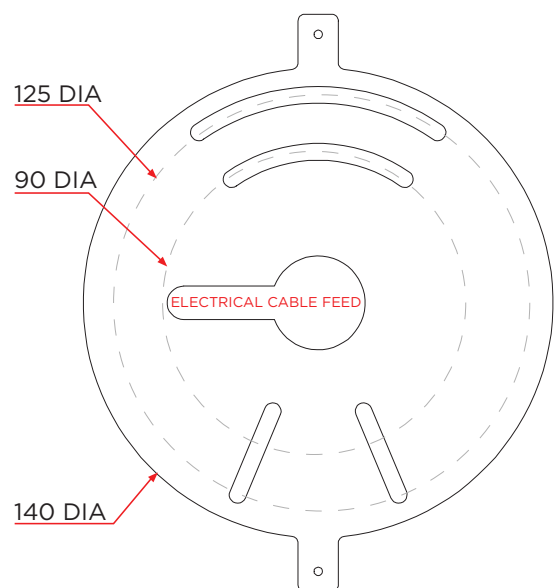
NOTE: This ring is packed to enable installation without removal of its protective packaging.



STEP 3

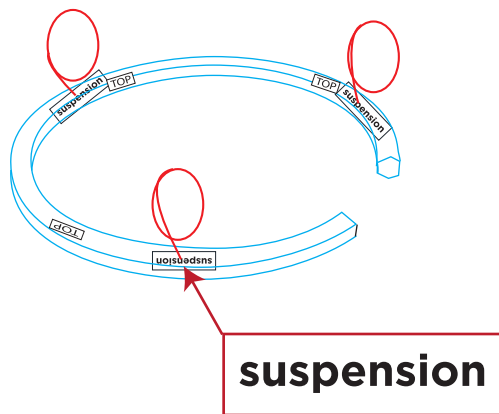
Securely fix the ceiling plate into a junction box. Ensure the fixing is capable of taking the relevant weight.

NOTE: SCREW FIXINGS ARE NOT SUPPLIED

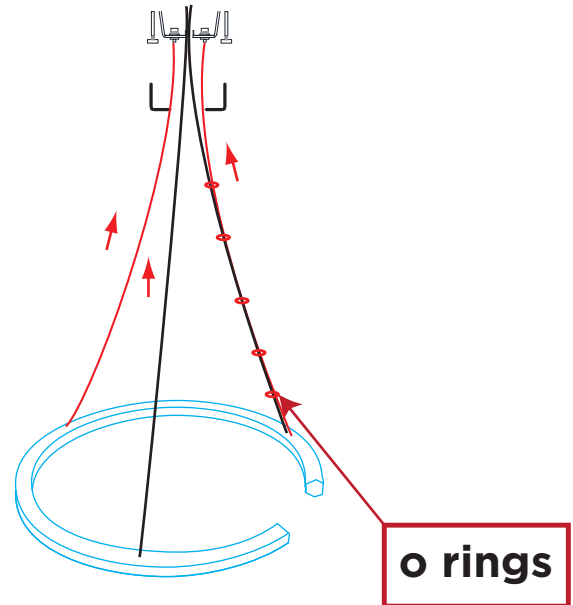


MICO 1200 PENDANT INSTALLATION INSTRUCTIONS 3 OF 6

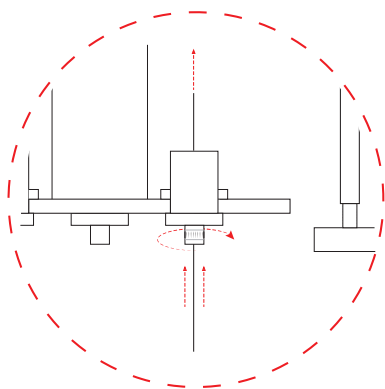
BARONCELLI 



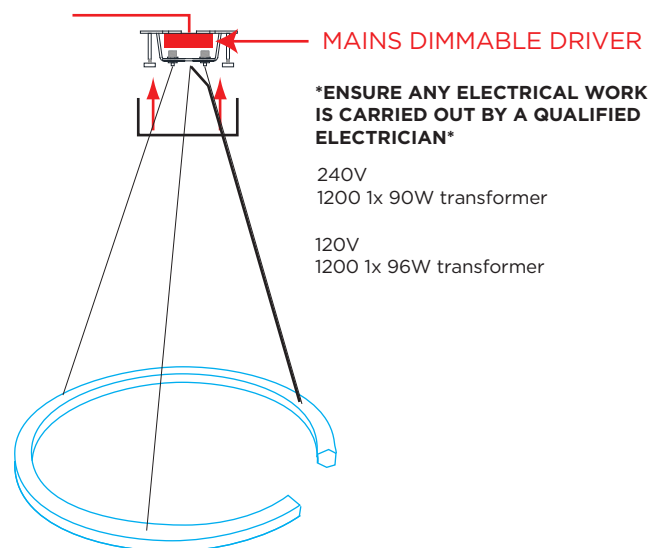
STEP 4
Remove film to access suspension cables.
Ensure the ring is correctly orientated.



STEP 5
Pass the three suspension cables up through the ceiling canopy and into the gripper units.
Tighten screw caps to lock grippers.



GRIPPER AND SAFETY CAP
Each gripper will have a safety cap which needs to be unscrewed a little in order to allow the cable. To shorten a cable simply feed the cable back up into the gripper. To lengthen a cable push the loosened cap upwards and the gripper will disengage allowing the cable to pass through it.



STEP 6
Pass the electrical cable through the ceiling fitting and make electrical connection to the driver. Remove protection packaging from the ring.

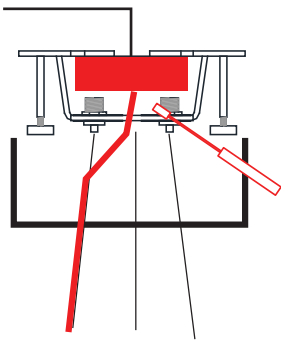
ENSURE ANY ELECTRICAL WORK IS CARRIED OUT BY A QUALIFIED ELECTRICIAN

240V
1200 1x 90W transformer

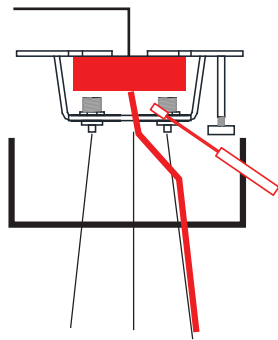
120V
1200 1x 96W transformer

MICO 1200 PENDANT INSTALLATION INSTRUCTIONS 4 OF 6

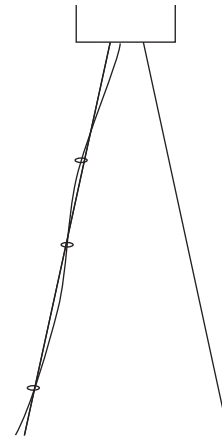
BARONCELLI 



240V
1x 90W transformer



120V
1x 96W transformer

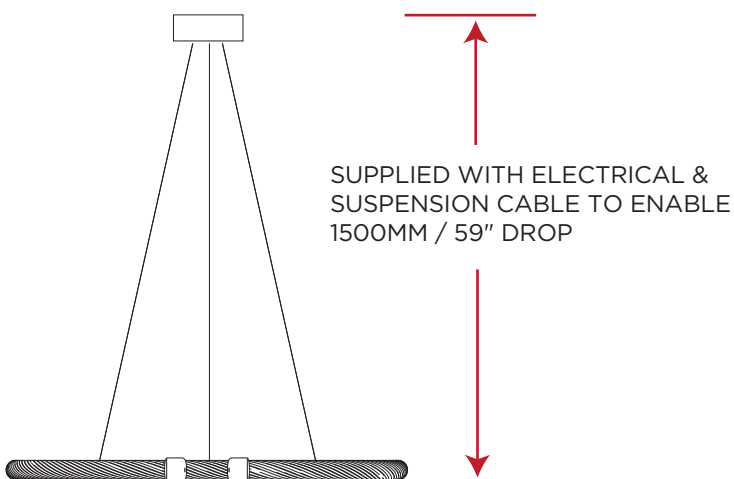


STEP 6B

Connect electric cable to transformer.

STEP 8

Test the light. Raise and secure ceiling canopy.



STEP 7

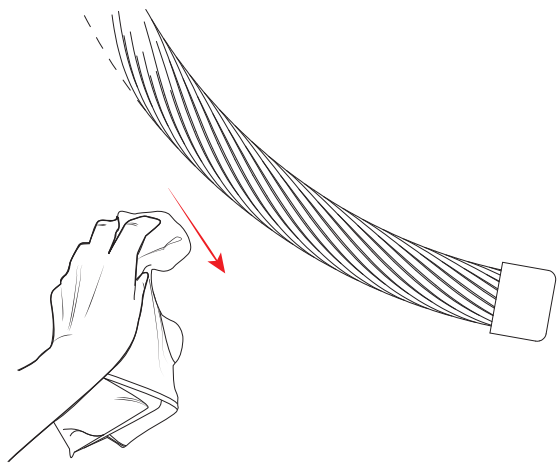
Adjust the height.

ENSURE ANY ELECTRICAL WORK IS CARRIED OUT BY A QUALIFIED ELECTRICIAN

OPERATION AND MAINTENANCE

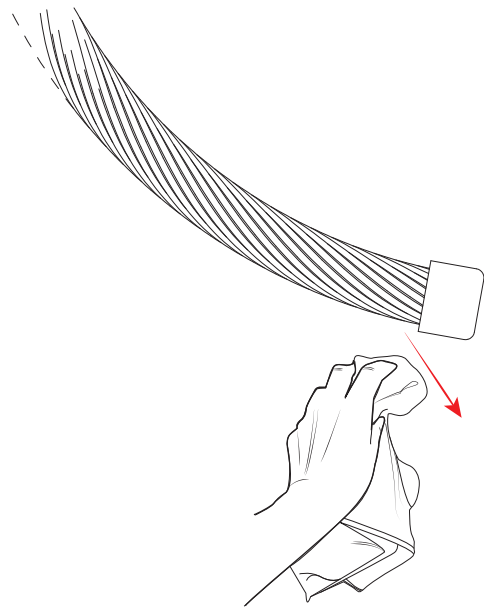
5 OF 6

BARONCELLI



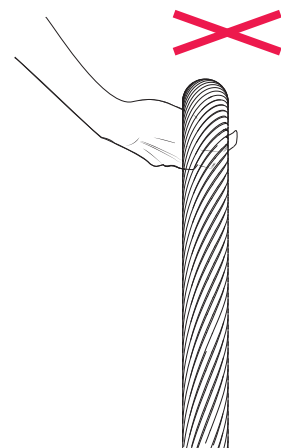
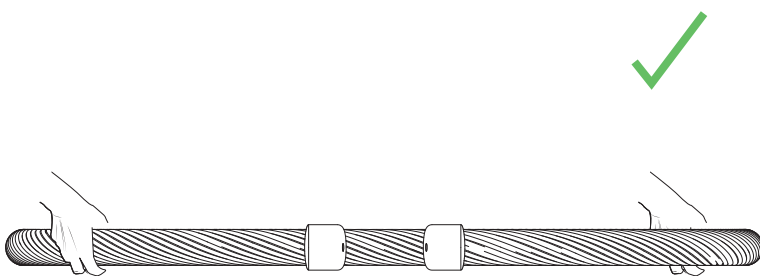
GLASS CLEANING

Glass elements should be carefully cleaned using a soft cloth.



METAL CLEANING

Carefully clean metal surfaces using a soft cloth and no liquid.



HANDLING

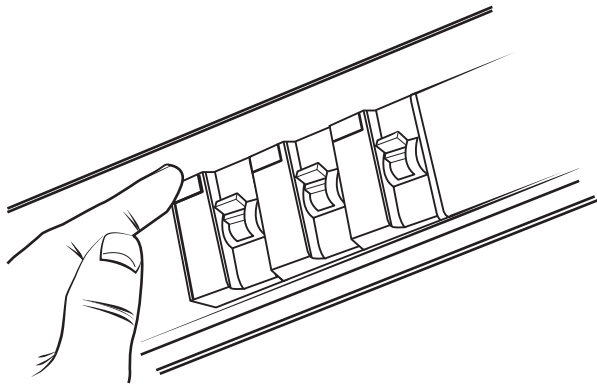
Hold ring flat at all times, do not hold at an angle from the glass as this will put pressure on the LED tape.

ENSURE ANY ELECTRICAL WORK IS CARRIED OUT BY A QUALIFIED ELECTRICIAN

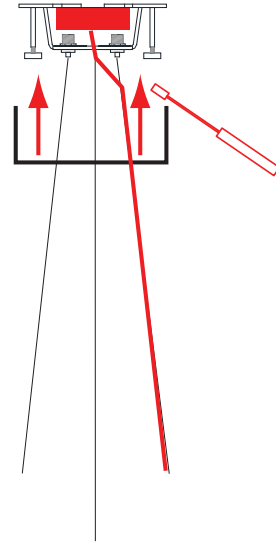
OPERATION AND MAINTENANCE

6 OF 6

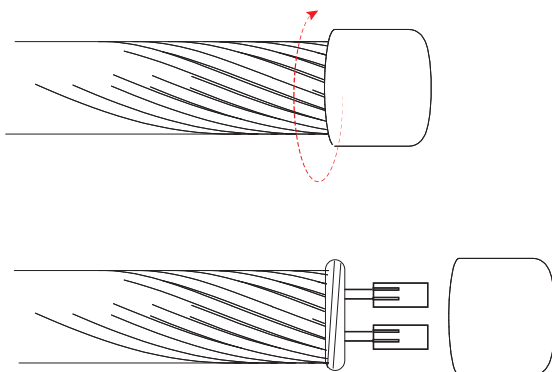
BARONCELLI



STEP A
TROUBLE SHOOTING - ELECTRICAL FAULTS
Check fusebaord



STEP B
TROUBLE SHOOTING - ELECTRICAL FAULTS
Lower ceiling canopy. Check/test connections.



STEP C
TROUBLE SHOOTING - ELECTRICAL FAULTS
Remove the cap and check electrical connection.