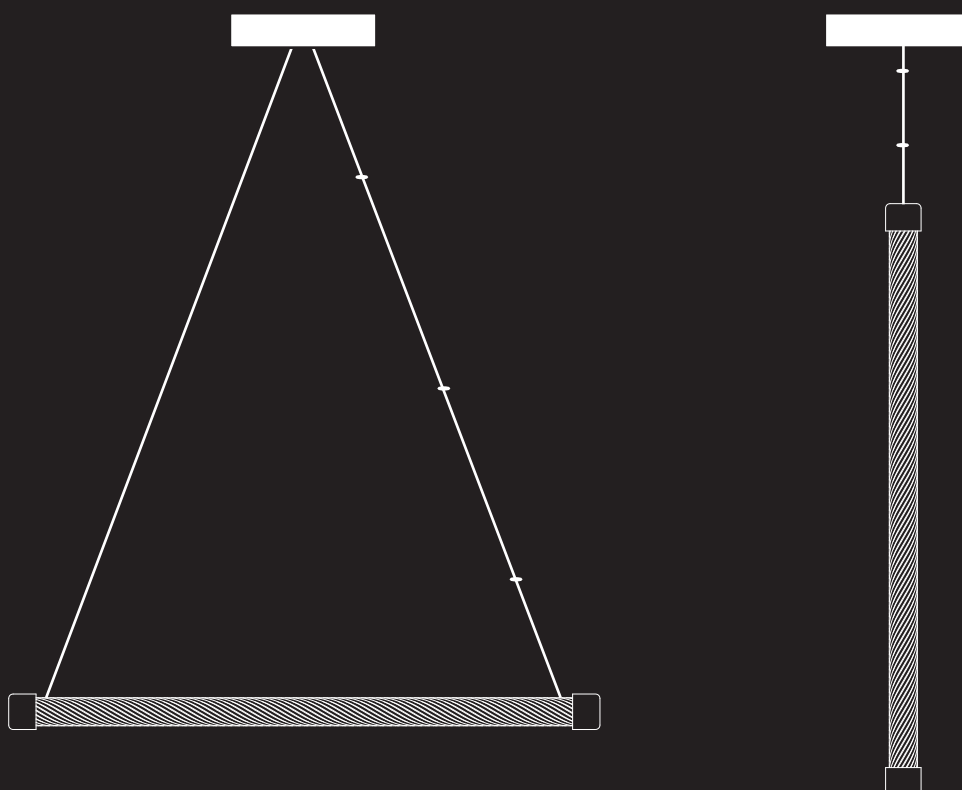


MICO PENDANT INSTALLATION INSTRUCTIONS 1 OF 6

BARONCELLI ⌘



WHAT IS INCLUDED

1. Ceiling fitting
2. Transformer

WEIGHT

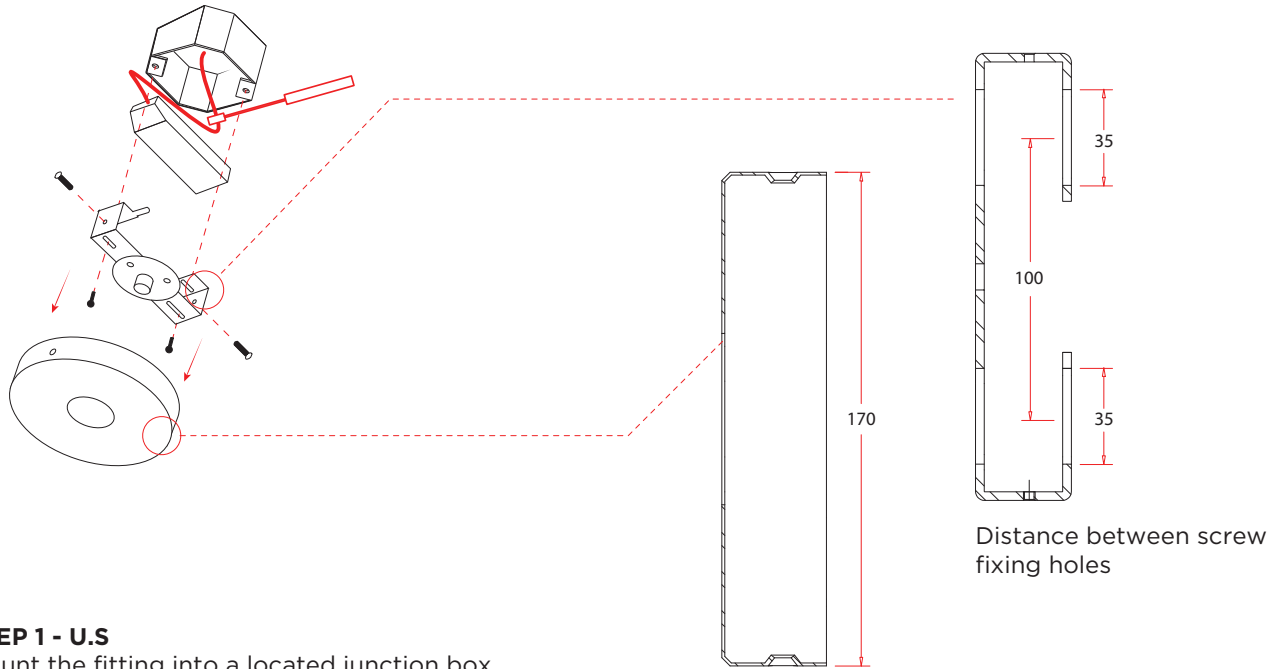
14 kg (9lb)

WHAT YOU WILL NEED

1. Screws
2. Screwdriver (3.5mm / 1/8" flat tip) + pliers
3. Soft cloth

MICO PENDANT INSTALLATION INSTRUCTIONS 2 OF 6

BARONCELLI ⌘

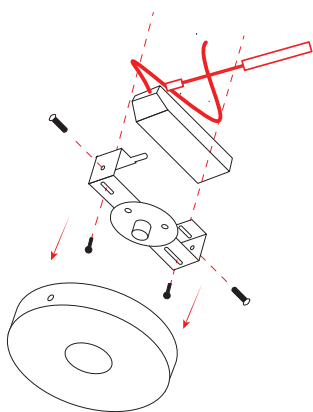


STEP 1 - U.S

Mount the fitting into a located junction box.
Secure surface capable of taking the relevant load.
Make electrical connections to the transformer.

OA diameter of outer case

NOTE: SCREW FIXINGS ARE NOT SUPPLIED



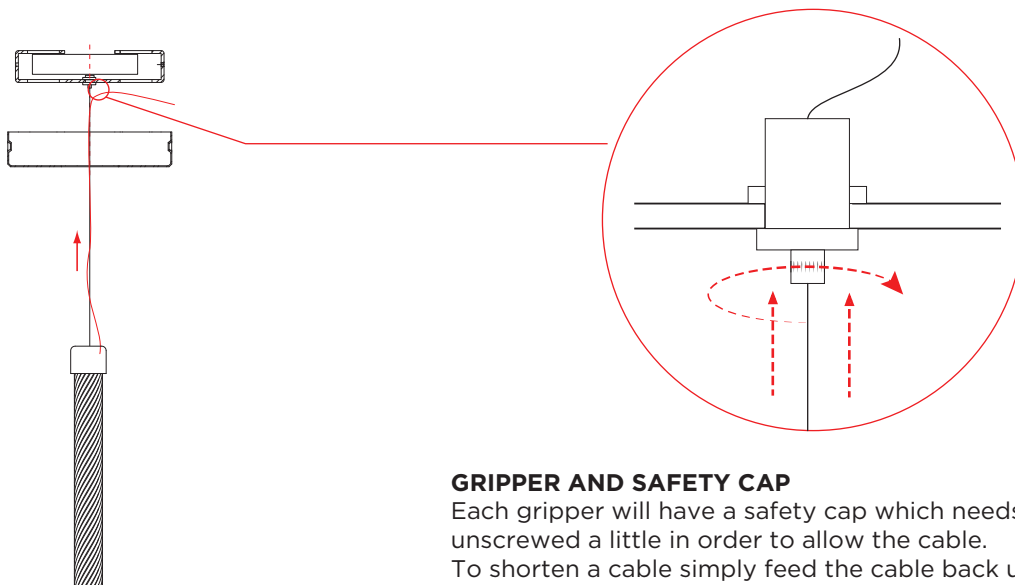
STEP 1

Mount the fitting into a suitably secured firmly into a
beam or joist capable of taking the relevant load.
Make electrical connection to the transformer.

NOTE: SCREW FIXINGS ARE NOT SUPPLIED

MICO PENDANT INSTALLATION INSTRUCTIONS 3 OF 6

BARONCELLI ⌘

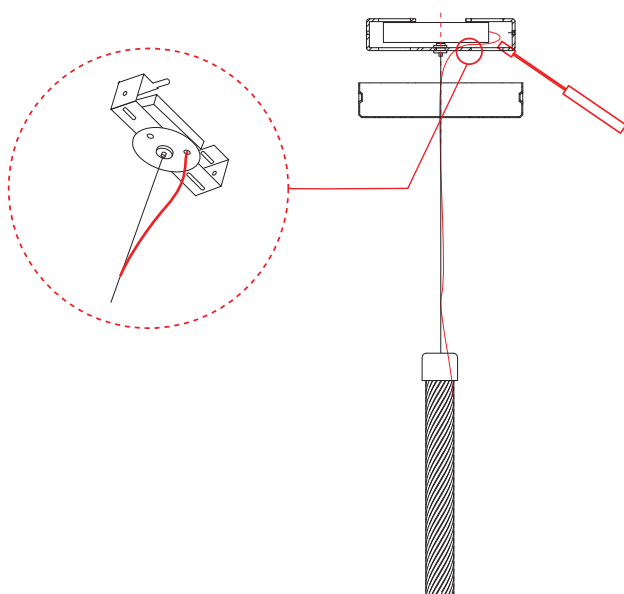


STEP 3

Pass the suspension cable through the ceiling canopy and into the gripper. Tighten screw caps to lock grippers.

GRIPPER AND SAFETY CAP

Each gripper will have a safety cap which needs to be unscrewed a little in order to allow the cable. To shorten a cable simply feed the cable back up into the gripper. To lengthen a cable push the loosened cap upwards and the gripper will disengage allowing the cable to pass through it.



STEP 6

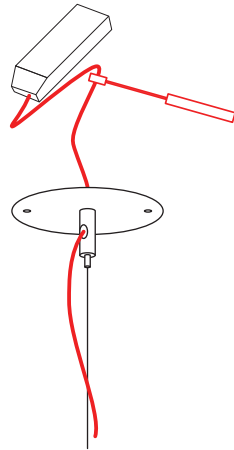
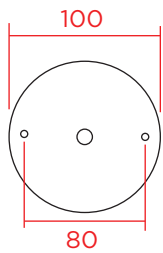
Pass the electrical cable through the ceiling fitting and make electrical connection. Test the lighting.

STEP 7

Secure the outer casing into position using 2 x screws.

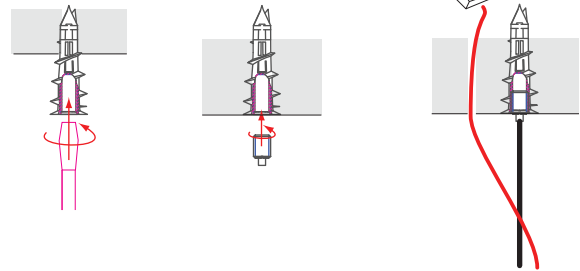
MICO PENDANT INSTALLATION INSTRUCTIONS 4 OF 6

BARONCELLI ⌘



FLAT DISC CANOPY OPTION

Install using flat disc canopy, driver must be located inside ceiling void. Make electrical connection and post driver up through hole in ceiling. Secure flat plate canopy into position.



INSERT GRIPPER OPTION

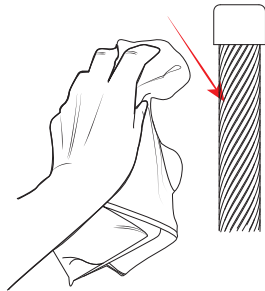
Prior to installation locate driver within ceiling void (max 8m cable length from fittings location including drop). Drill pilot hole and screw insert into ceiling, finish as required before fixing gripper into place. Pass electrical cable up through hole in ceiling, chase to driver location. Install suspension cable into ceiling gripper.

OPERATION AND MAINTENANCE

ENSURE ANY ELECTRICAL WORK IS CARRIED OUT BY A QUALIFIED ELECTRICIAN

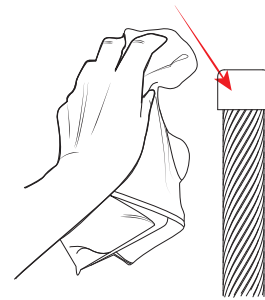
5 OF 6

BARONCELLI 



GLASS CLEANING

Glass elements should be carefully cleaned using a soft cloth and small amount of white spirit.



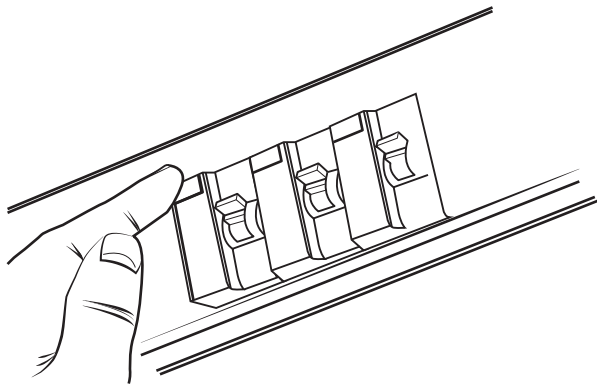
METAL CLEANING

Carefully clean metal surfaces using a soft cloth and no liquid.

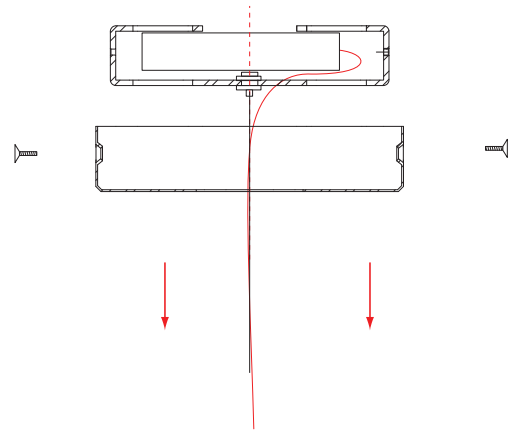
OPERATION AND MAINTENANCE

ENSURE ANY ELECTRICAL WORK IS CARRIED OUT BY A QUALIFIED ELECTRICIAN

6 OF 6



STEP A
TROUBLE SHOOTING - ELECTRICAL FAULTS
Check fuseboard



STEP B
TROUBLE SHOOTING - ELECTRICAL FAULTS
Retrace installation steps to access transformer within ceiling canopy or ceiling void.