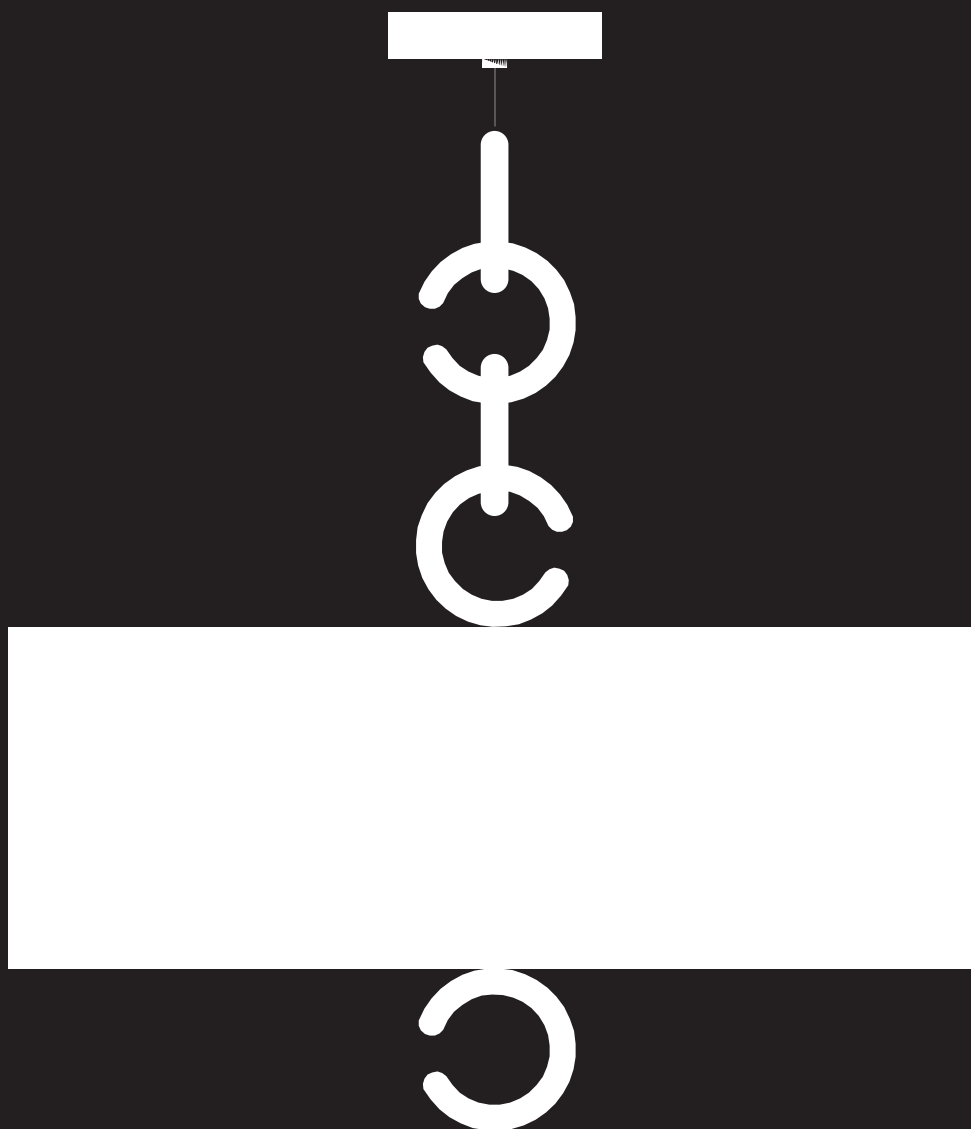


# NEO PENDANT INSTALLATION INSTRUCTIONS 1 OF 6

BARONCELLI ⌘



## WHAT IS INCLUDED

1. Ceiling canopy
2. Shade
3. Diffuser
4. Bracket Bar

## WHAT YOU WILL NEED

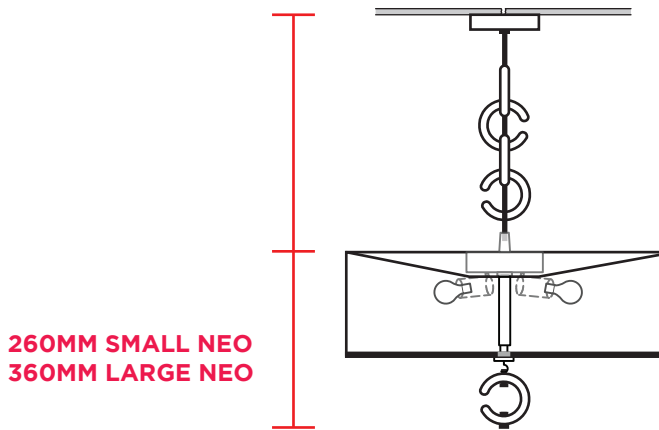
1. Screw fixngs
2. Bulbs - E27 LED (240v) & E26 LED (120v) - Max 6W
3. Allen keys
4. Soft cloth
5. Screwdriver (3.5mm / 1/8" flat tip) + pliers

## WEIGHTS

- SMALL 6kg (14lb)  
LARGE 7kg (15lb)

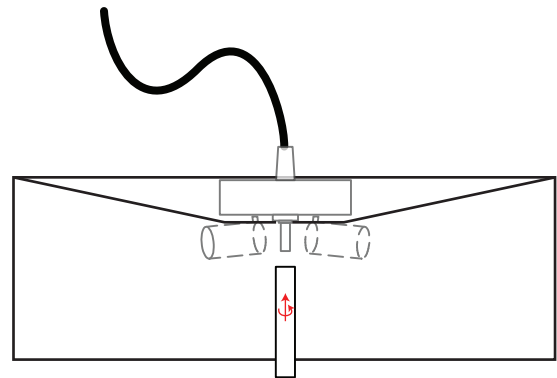
# NEO PENDANT INSTALLATION INSTRUCTIONS 2 OF 6

BARONCELLI 



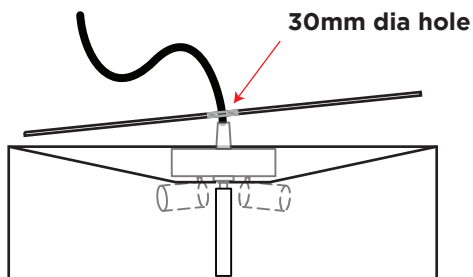
## STEP 1

Determine required drop.  
Overall height SMALL = Flex + 260mm.  
Overall height LARGE = Flex + 360mm.



## STEP 2

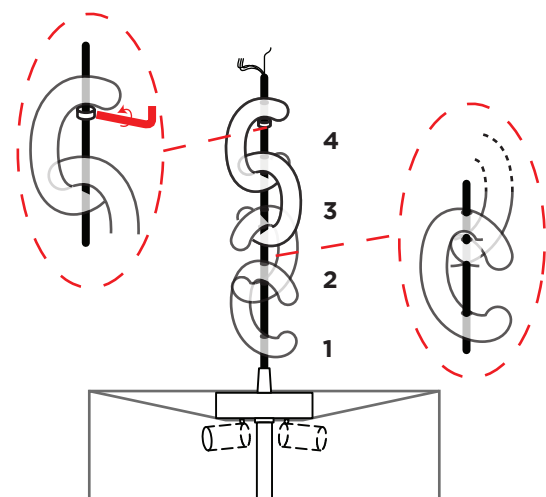
Raise shade into position and secure using tube beneath.



**NOTE:**  
DIFFUSER IS IN THE TOP OF THE BOX

## STEP 3

Insert diffuser into top of shade (SMALL NEO ONLY).

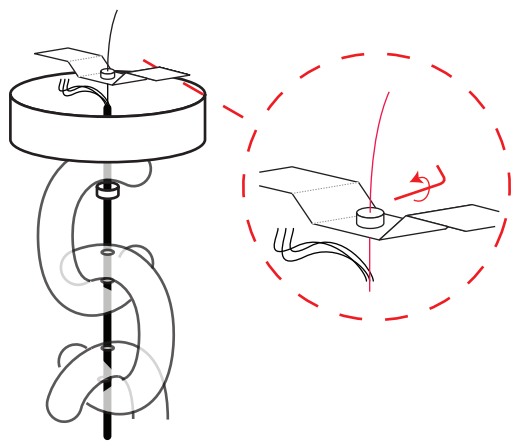


## STEP 4

Pass cable through glass elements with two holes. Each element is interlocked with the next. Secure the round screw block fastening below the top of the highest glass element.

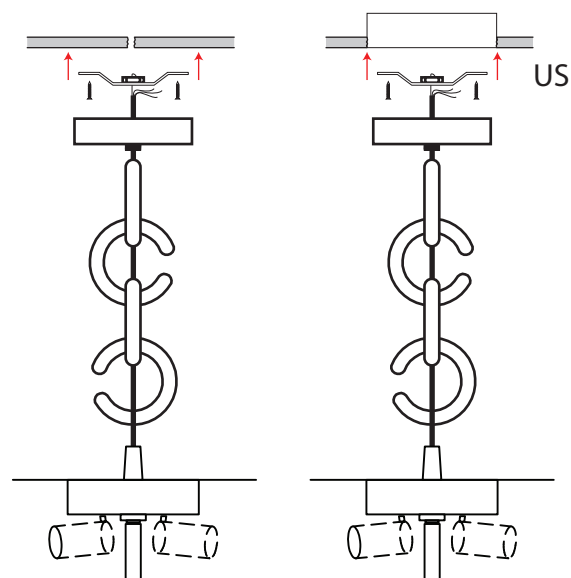
# NEO PENDANT INSTALLATION INSTRUCTIONS 3 OF 6

BARONCELLI ⌘



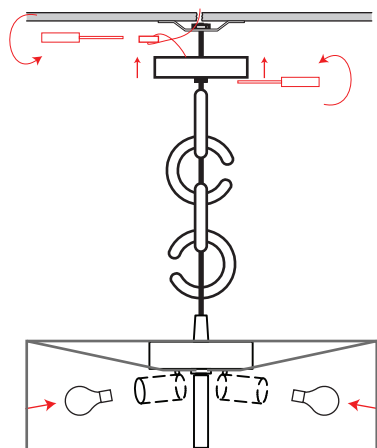
## STEP 5

The flex carries a suspension cable in addition to the three electrical core cables.  
Pass the cable up through the ceiling canopy, remove a small portion of the outer jacket and then pass the suspension cable through the bracket bar and secure using side screw.



## STEP 6

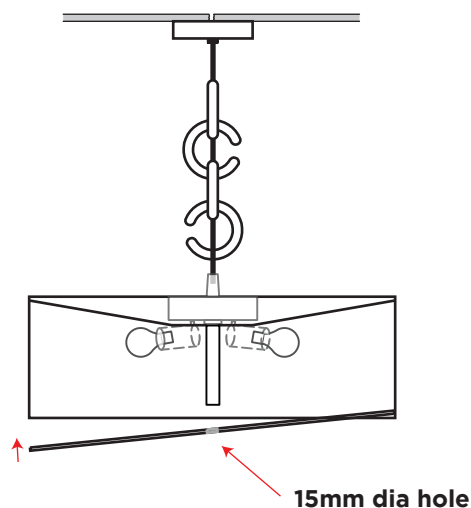
Raise assembly to ceiling and secure ceiling bracket into a beam or joist (or Junction Box for US), fixings should be suitable for taking the relevant load.



**NOTE: E27 LED (240v) / E26 LED (120v) MAX - 6W**

## STEP 7

Make electrical connections, insert bulbs and test.  
Raise canopy and secure using side screw.



**NOTE:  
DIFFUSER IS IN THE TOP OF THE BOX**

## STEP 8

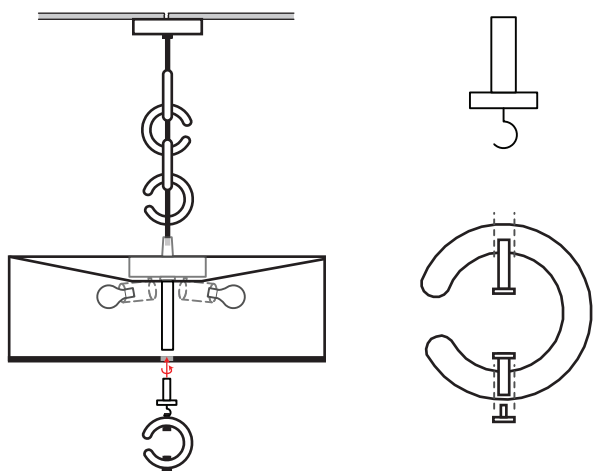
Insert diffuser into base of shade

# NEO PENDANT

## INSTALLATION INSTRUCTIONS

### 4 OF 6

BARONCELLI 



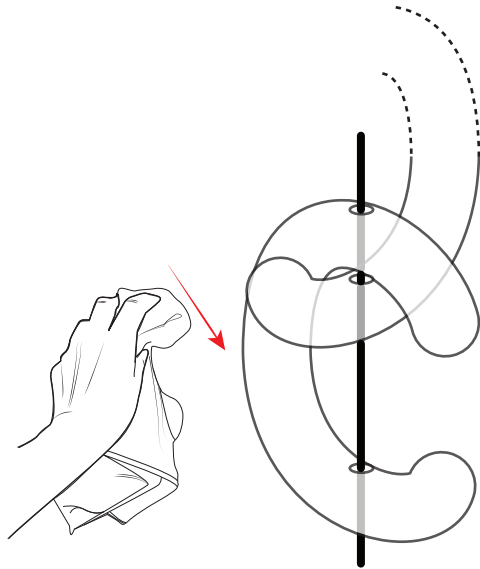
#### STEP 9

Attach glass element with a double headed pin to hook component. Screw assembly into tube through diffuser hole. Raise or lower glass rings accordingly if required using round screw block fastening.

# OPERATION AND MAINTENANCE

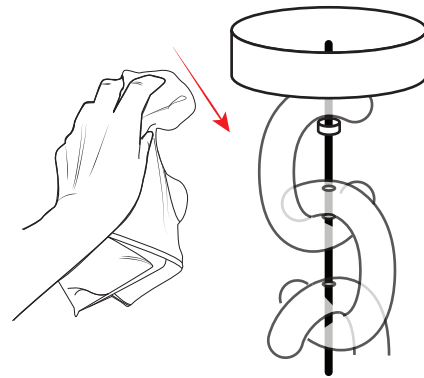
## 5 OF 6

BARONCELLI ⌘



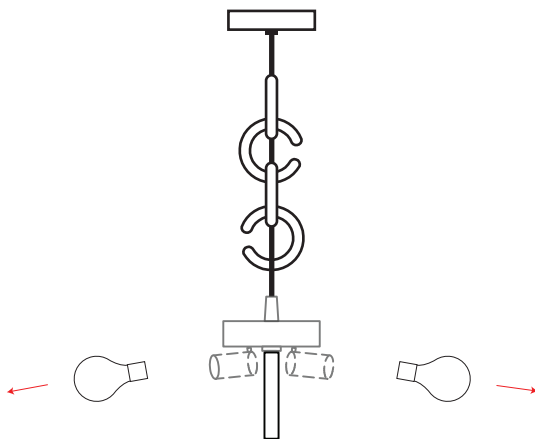
### GLASS CLEANING

Glass elements should be carefully cleaned using a soft cloth.



### METAL CLEANING

Carefully clean metal surfaces using a soft cloth and no liquid.



**NOTE: E27 LED (240v) / E26 LED (120v) MAX - 6W**

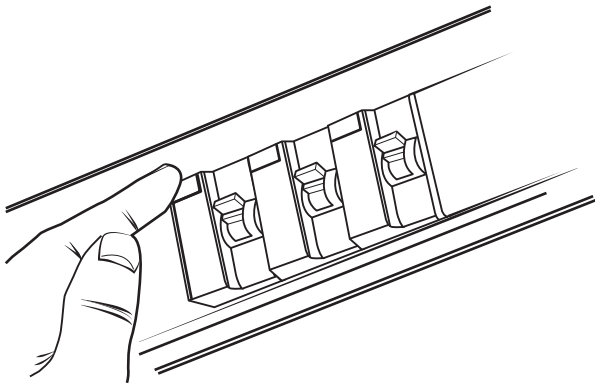
### REPLACING A BULB

Ensure electricals are switched off and bulb has cooled down. Unscrew bulb and replace.

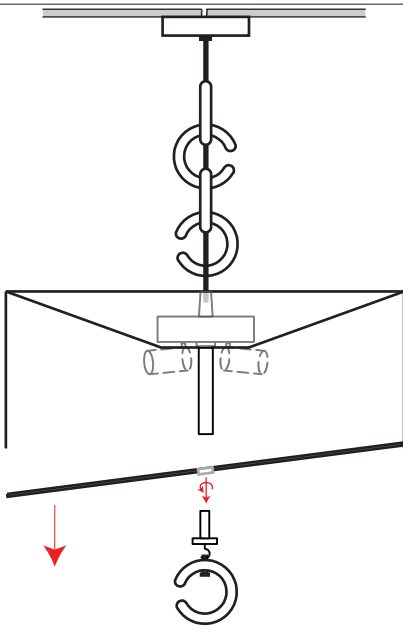
# OPERATION AND MAINTENANCE

## 6 OF 6

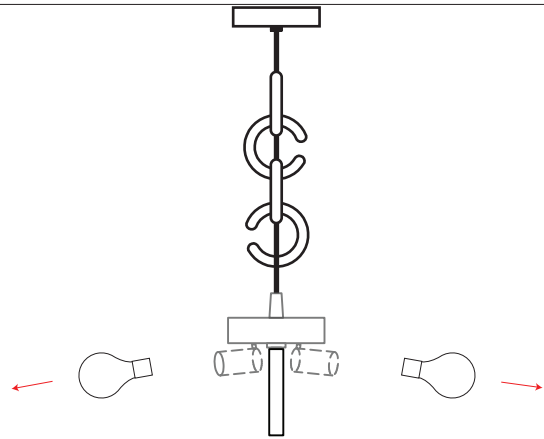
BARONCELLI ⌘



**STEP A**  
**TROUBLE SHOOTING - ELECTRICAL FAULTS**  
Check fuseboard

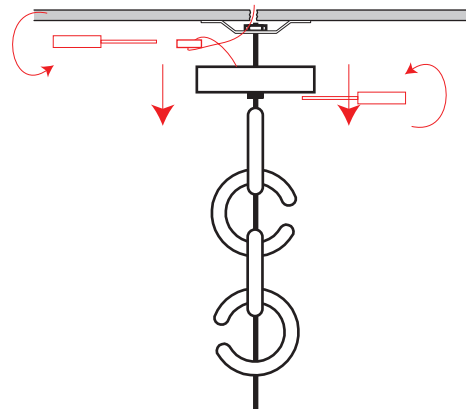


**STEP C**  
**TROUBLE SHOOTING - ELECTRICAL FAULTS**  
Retrace installation steps to release glass. Check/test lamp holder.



**NOTE: E27 LED (240v) / E26 LED (120v) MAX - 6W**

**STEP B**  
**TROUBLE SHOOTING - ELECTRICAL FAULTS**  
Check and replace the bulbs.



**STEP D**  
**TROUBLE SHOOTING - ELECTRICAL FAULTS**  
Lower ceiling canopy. Check/test connections.