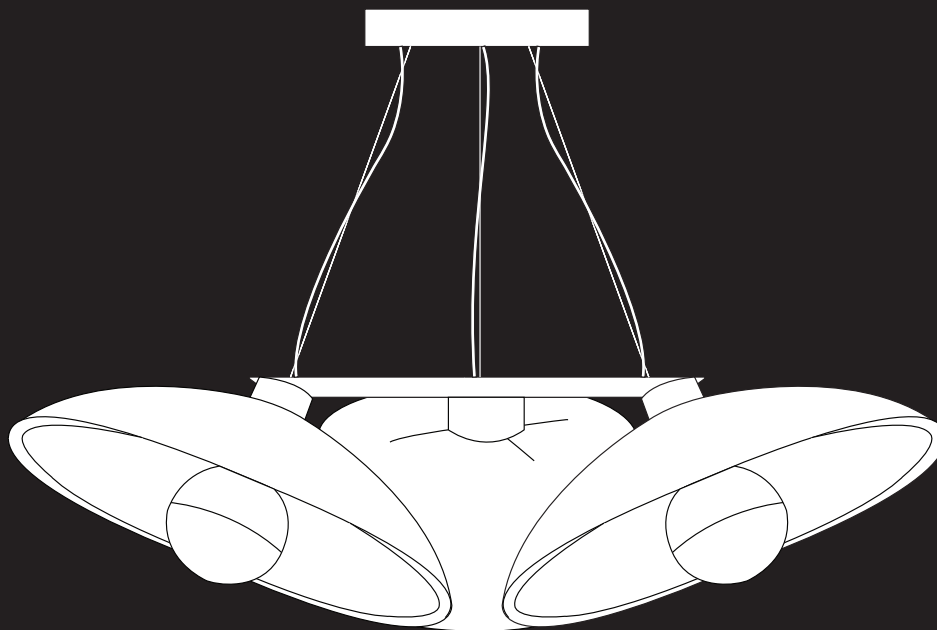


PLATONE PENDANT INSTALLATION INSTRUCTIONS 1 OF 3

BARONCELLI ⌘



WHAT IS INCLUDED

1. Ceiling canopy
2. Suspension cable
3. Spares

WHAT YOU WILL NEED

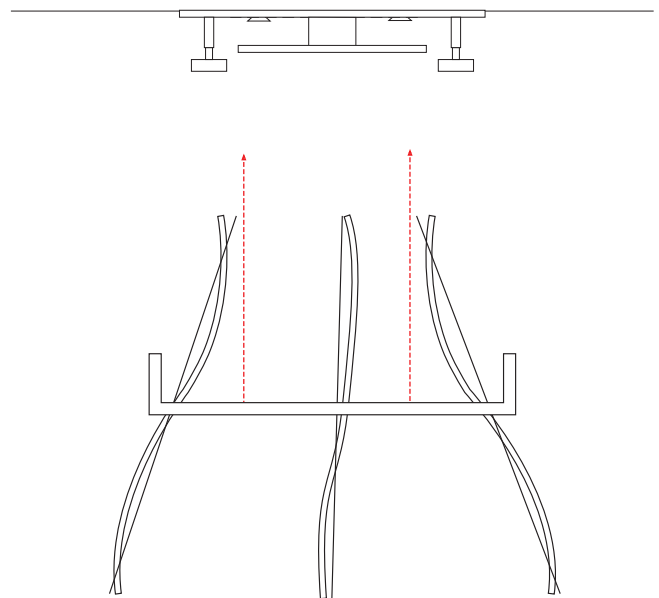
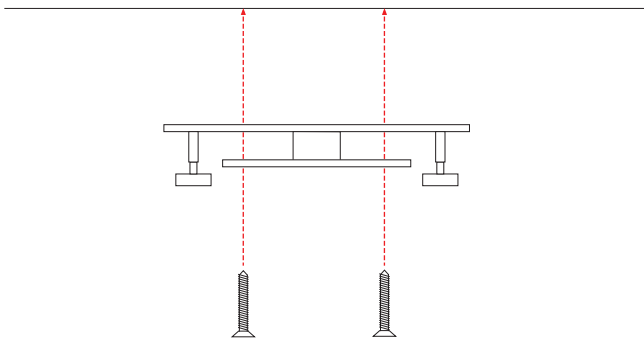
1. Hook
2. Bulbs
3. Screwdriver (3.5mm / 1/8" flat tip) + pliers
4. Soft cloth

PLATONE PENDANT

INSTALLATION INSTRUCTIONS

2 OF 3

BARONCELLI ⌘



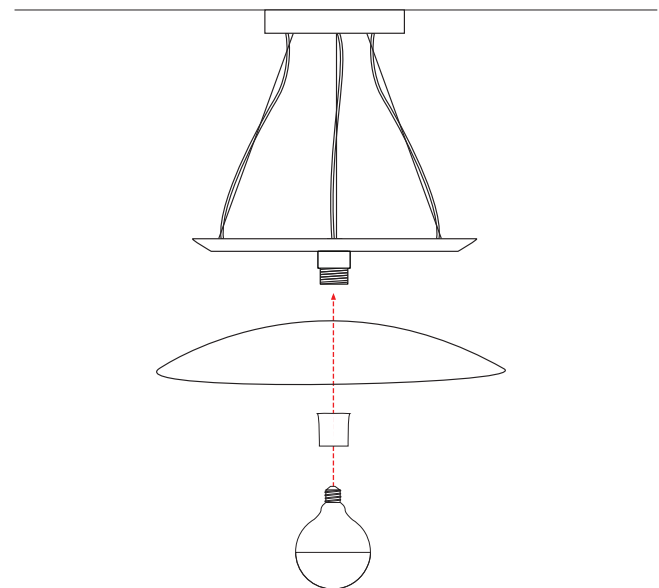
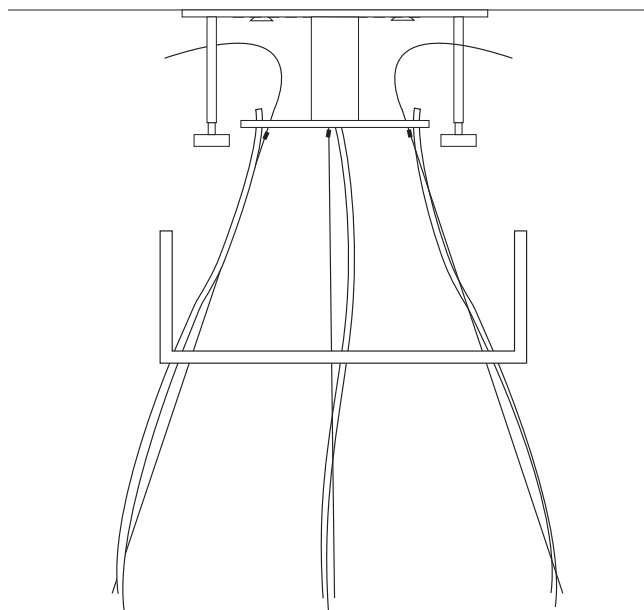
STEP 1

Securely fix the canopy plate to the ceiling. Ensure it is capable of taking 12kg in weight.

NOTE: SCREW FIXINGS ARE NOT SUPPLIED

STEP 2

Pass the electrical and suspension cables up through the canopy. Secure into ceiling plate and make connection. Insert bulbs and test.



STEP 3

Make electrical connections and test electrics. Use grippers to determine height. coil round any excess suspension cable and place in ceiling canopy.

STEP 4

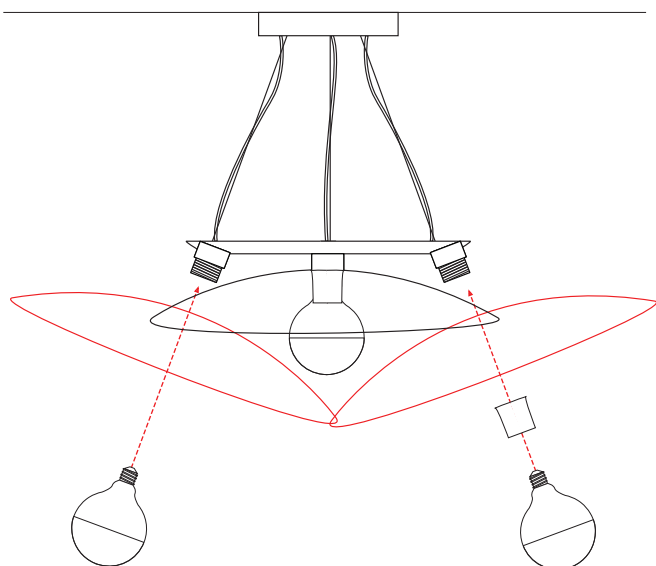
Remove bulbs. Attach glass elements, securing using the metal collar. Insert bulbs.

PLATONE PENDANT

INSTALLATION INSTRUCTIONS

3 OF 3

BARONCELLI 



STEP 5

Repeat step 4 with the last two glass elements.
