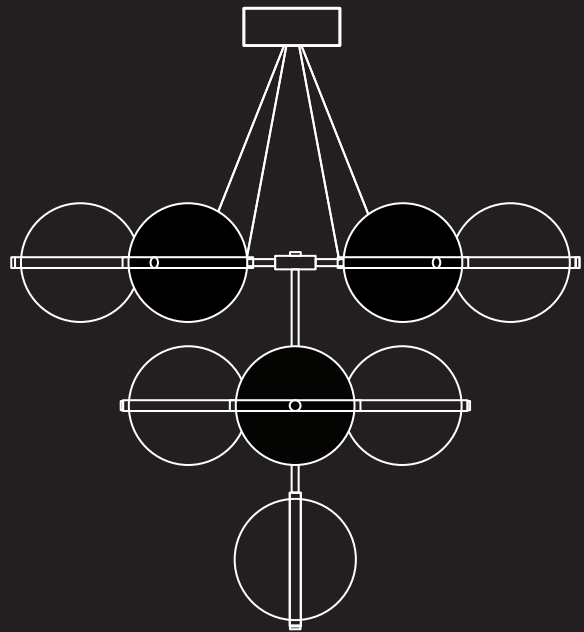
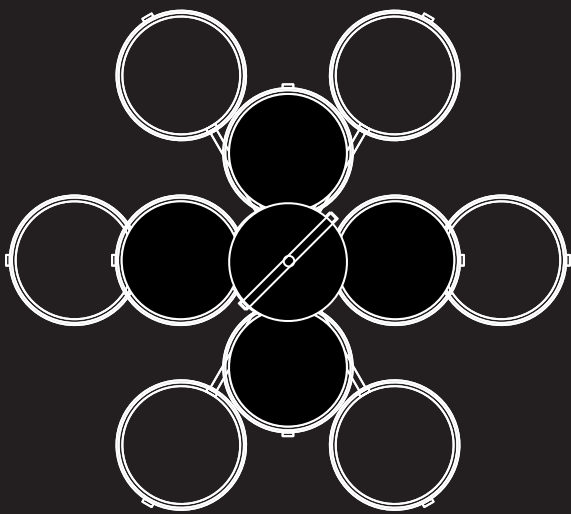


POLARIS TX PENDANT INSTALLATION INSTRUCTIONS 1 OF 7

BARONCELLI ⌘



WHAT IS INCLUDED

1. Ceiling canopy
2. Stem
3. Arms
4. LED Drivers

WHAT YOU WILL NEED

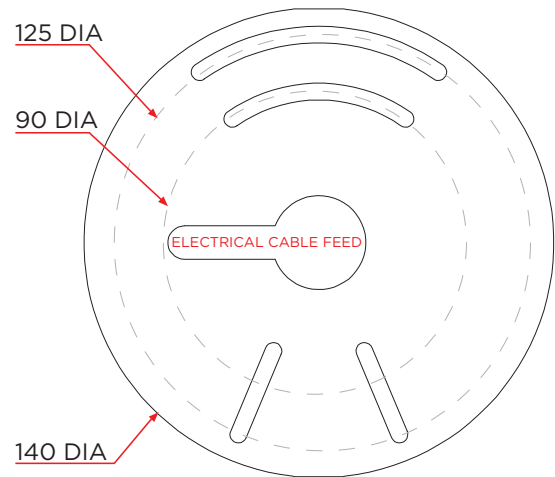
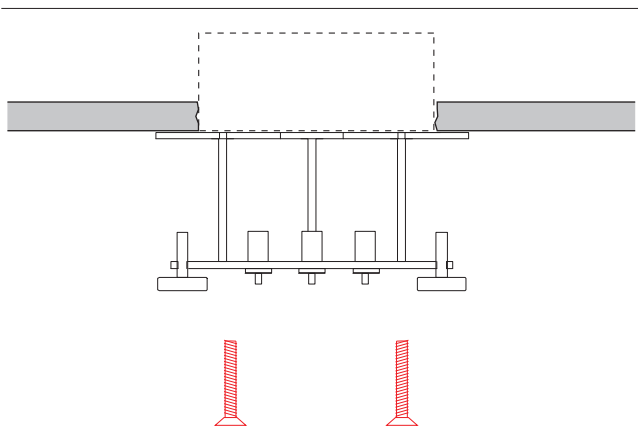
1. Junction box fixings
2. Screwdriver (3.5mm / 1/8" flat tip) + pliers
3. Soft cloth
4. Hex Key

10 Lights

WEIGHT
15kg (33lb)

POLARIS TX PENDANT INSTALLATION INSTRUCTIONS 2 OF 7

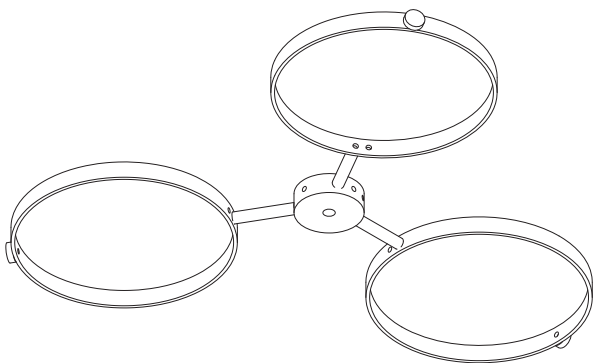
BARONCELLI ⌘



STEP 1

Securely fix the ceiling plate into a ceiling beam/joist (or Junction box for US) using a minimum of 2 fixings. Ensure the fixings are capable of taking the relevant weight.

NOTE: SCREW FIXINGS ARE NOT SUPPLIED

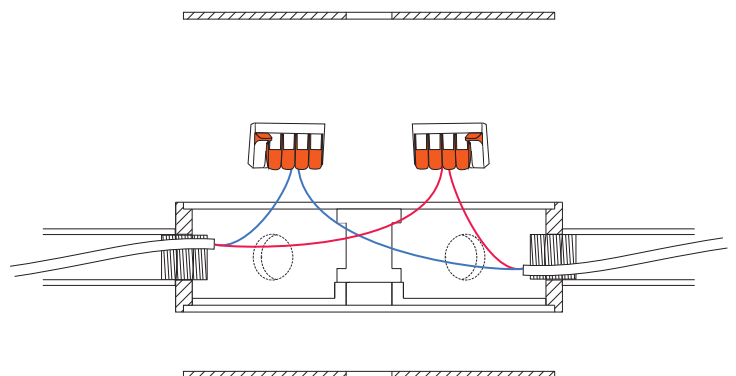


LOWER TIER - CHECK ARM QTY

STEP 2

Assemble lower tier. Attach arms for the lower tier into drum spacers, tighten such that the rings are parallel to the floor/ceiling.

SEE STEPS FOR TIGHTENING

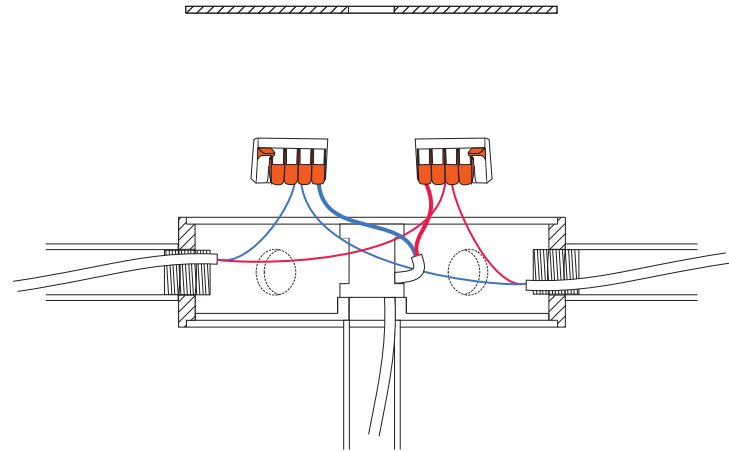
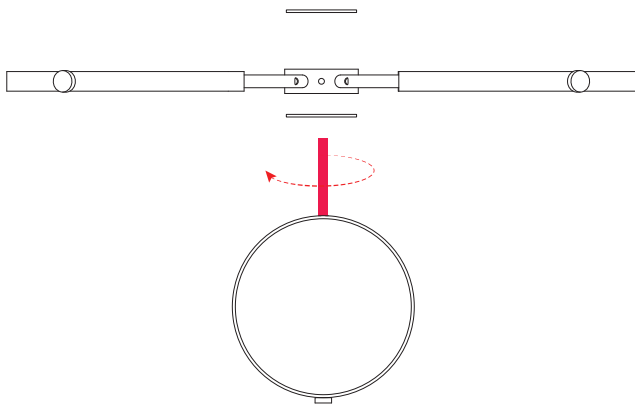


STEP 3

Make electrical connection.

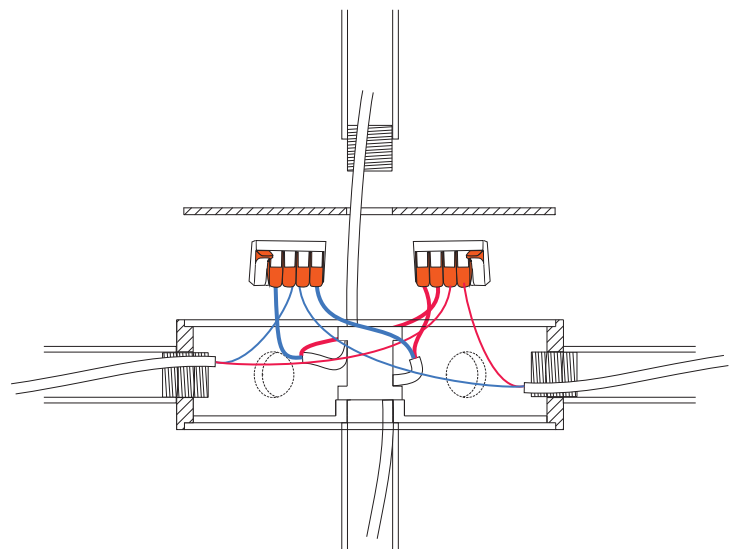
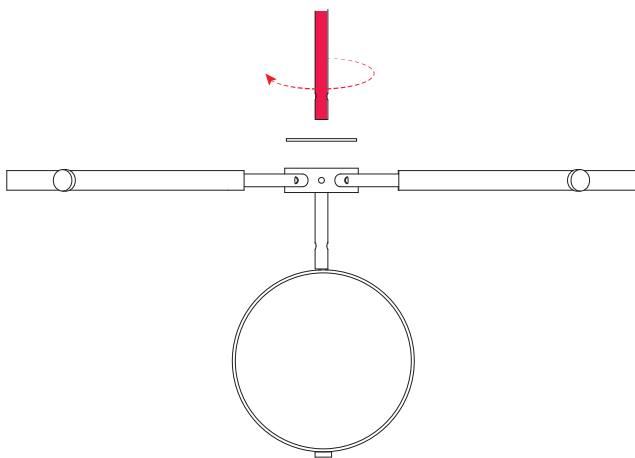
POLARIS TX PENDANT INSTALLATION INSTRUCTIONS 3 OF 7

BARONCELLI ⌘



STEP 4

Attach bottom ring to the drumspacer. Pass electrical cable through the hickey and connect electrical cables.

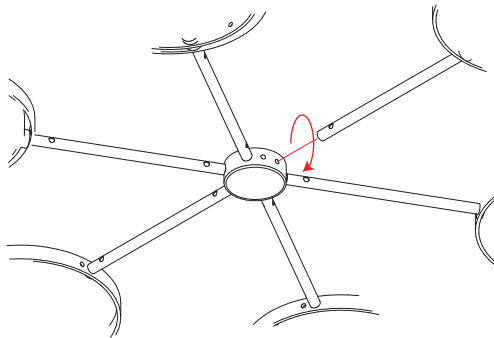


STEP 5

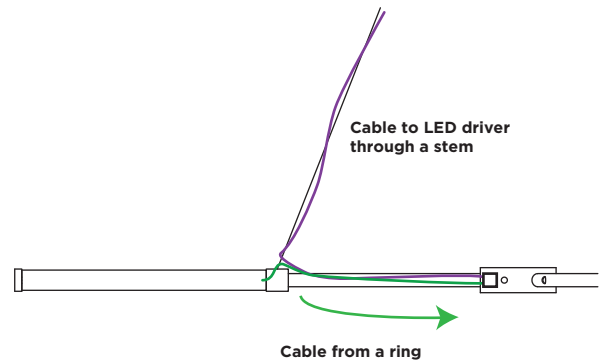
Screw the stem to secure.

POLARIS TX PENDANT INSTALLATION INSTRUCTIONS 4 OF 7

BARONCELLI ⌘



UPPER TIER - CHECK ARM QTY



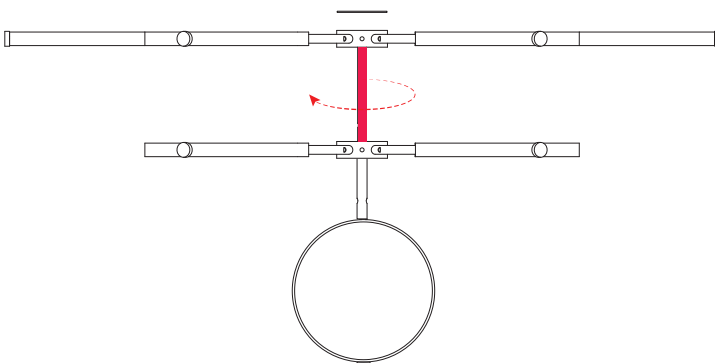
STEP 6

Assemble upper tier. Attach arms into drum spacers tighten such that the rings are parallel to the floor/ceiling.

SEE STEPS FOR TIGHTENING

STEP 7

Pass 1 x electrical cable from ring and 1 x electrical cable to the LED driver through the drumspacer.

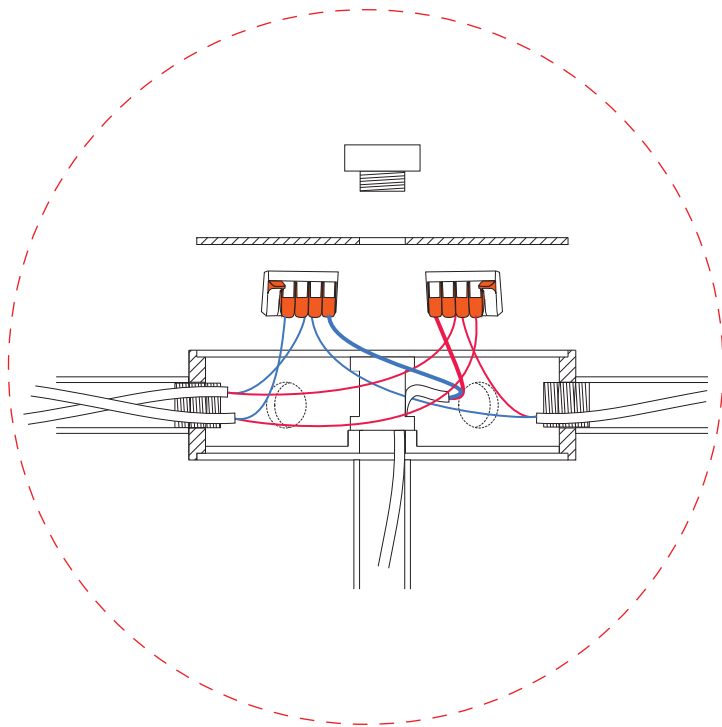


STEP 8

Attach lower tier to the drumspacer. Pass electrical cable through the hickey and connect electrical cables.

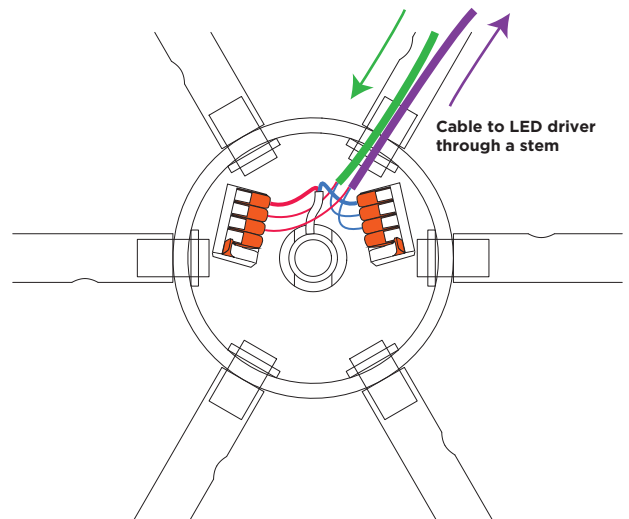
POLARIS TX PENDANT INSTALLATION INSTRUCTIONS 4 OF 7

BARONCELLI ⌘



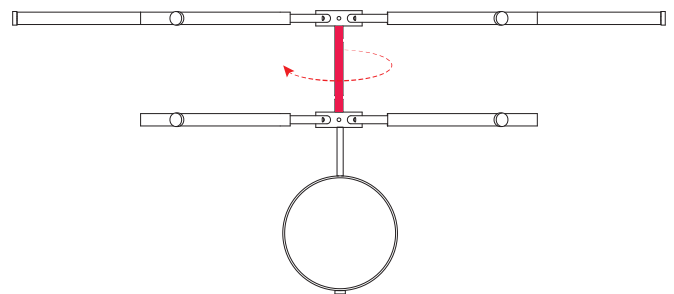
STEP 7

Pass 1 x electrical cable from ring and 1 x electrical cable to the LED driver through the drumspacer.



STEP 8

Attach vertical stem to the drumspacer. Pass electrical cable through the hickey and connect electrical cables.



STEP 9

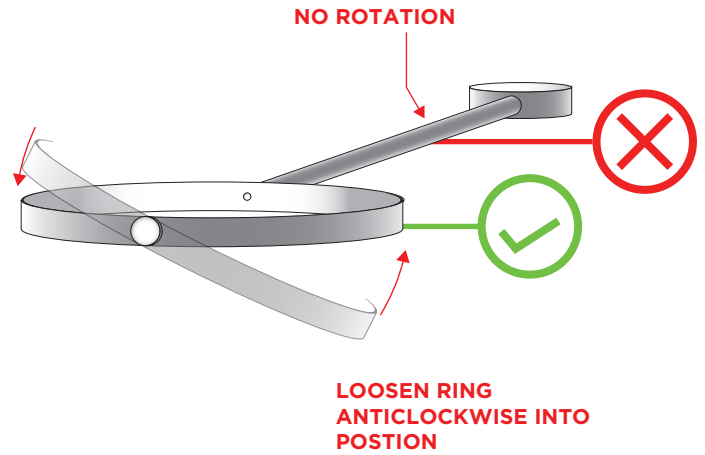
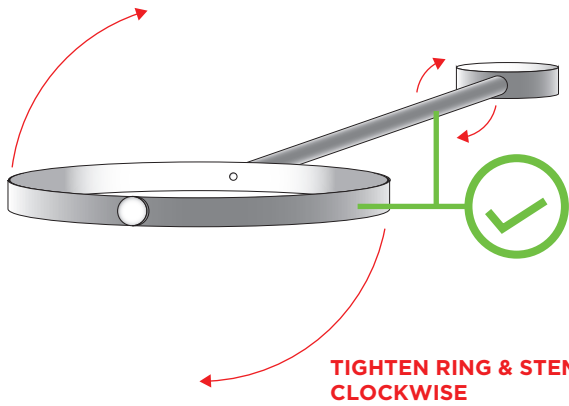
Check LED to check all cables are connected.

STEP 10

Screw the stem to secure.

POLARIS SWIRL TX PENDANT INSTALLATION INSTRUCTIONS 5 OF 7

BARONCELLI 

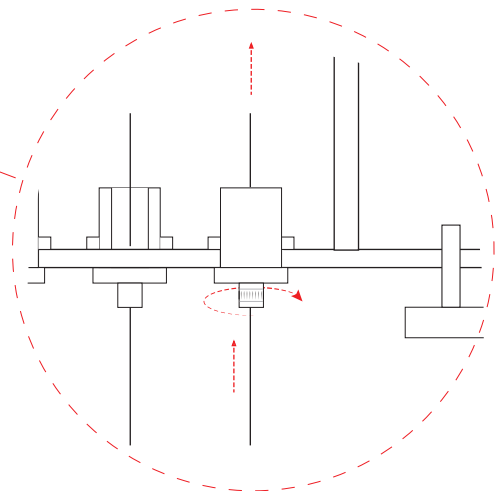
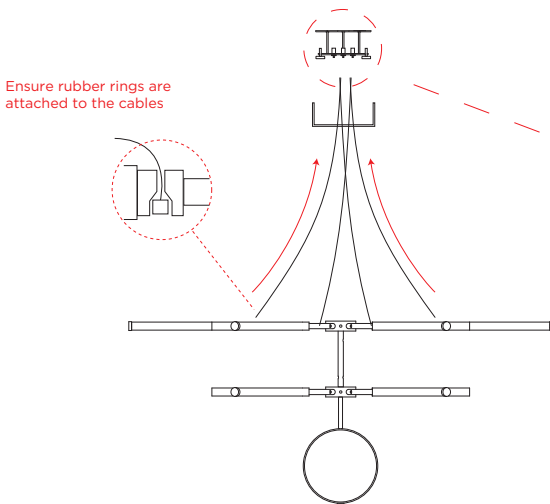


TIGHTENING

Tighten each arm until it is secure into the drum spacer. The stem can be tightened by carefully gripping the ring to turn.

TIGHTENING

If once tightened the ring is not in the appropriate position this can be loosened slightly to achieve this. When loosening, only the ring should be rotated, the stem must remain in position tightened against the drum spacer.



STEP 11

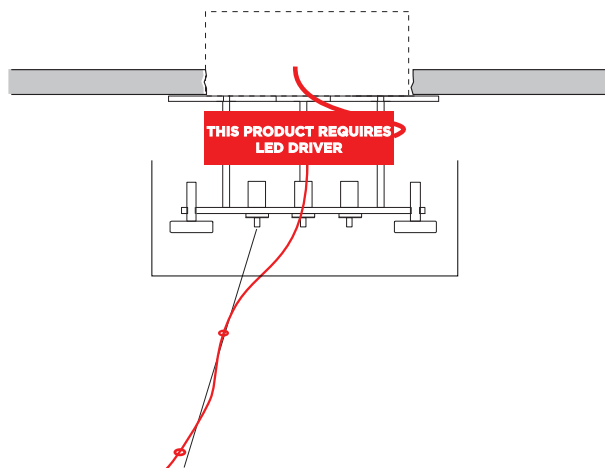
Thread the suspension cable up through the suspension spacers as shown allowing the stop ends to locate within the spacers. Pass suspension cables up through the ceiling canopy and into the gripper units. Tighten screw caps to lock grippers.

GRIPPER AND SAFETY CAP

Each gripper will have a safety cap which needs to be unscrewed a little in order to allow the cable. To shorten a cable simply feed the cable back up into the gripper. To lengthen a cable push the loosened cap upwards and the gripper will disengage allowing the cable to pass through it.

POLARIS SWIRL TX PENDANT INSTALLATION INSTRUCTIONS 6 OF 7

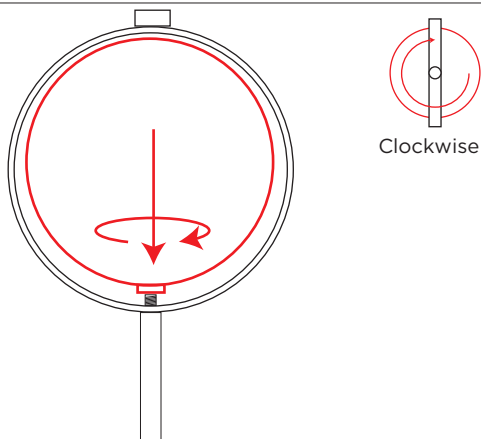
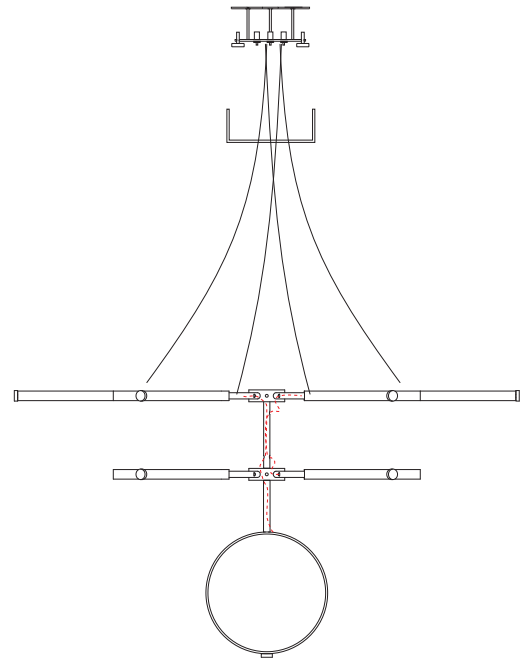
BARONCELLI ⌘



ENSURE ANY ELECTRICAL WORK IS CARRIED OUT BY A QUALIFIED ELECTRICIAN

STEP 12

Pass electrical cable up along suspension cable through rubber rings, make electrical connection to LED driver and securing driver in place.

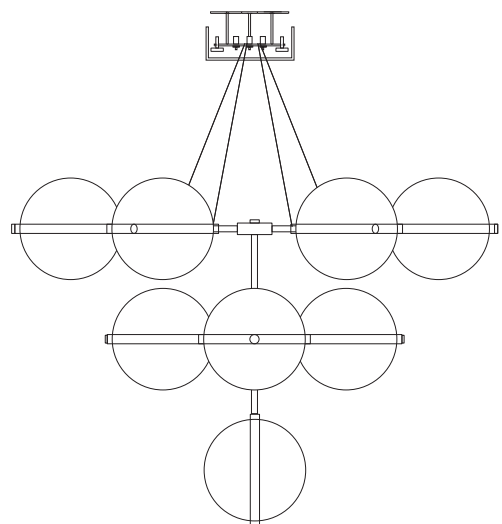


DO NOT OVERTIGHTEN THE SPHERE

STEP 13

Mount the sphere on to the ring.

Note: ENSURE SPHERES NOT TO TOUCH LED TAPES TO AVOID ANY DIRT OR OIL MARKS.



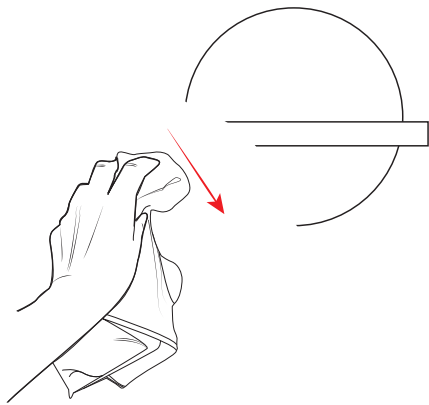
STEP 14

Test the electrical connections and Raise canopy to cover.

OPERATION AND MAINTENANCE

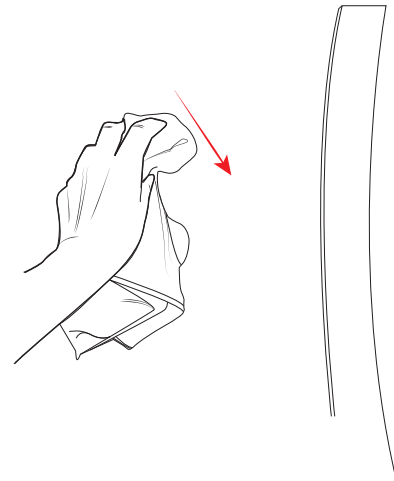
7 OF 7

BARONCELLI ⌘



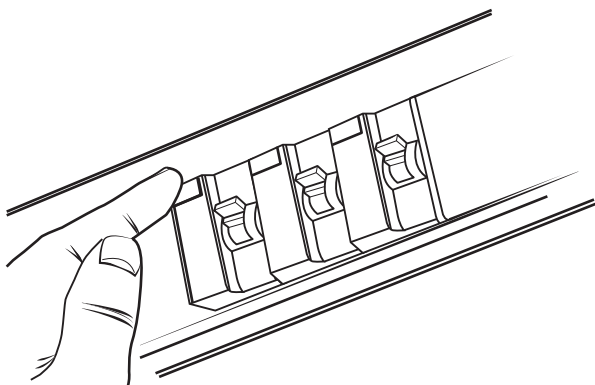
GLASS CLEANING

Glass elements should be carefully cleaned using a soft cloth.

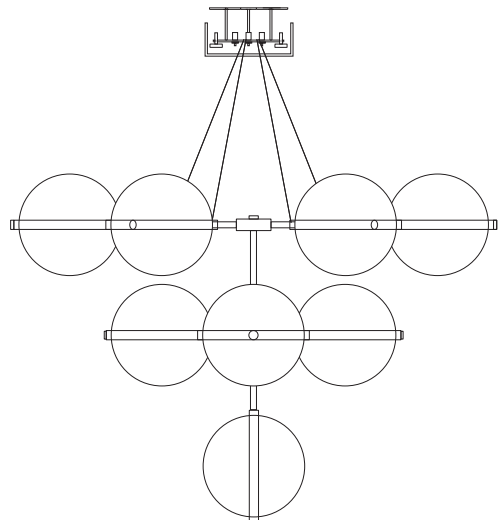


METAL CLEANING

Carefully clean metal surfaces using a soft cloth and no liquid.



STEP A
TROUBLE SHOOTING - ELECTRICAL FAULTS
Check fusebaord



STEP B
TROUBLE SHOOTING - ELECTRICAL FAULTS
Lower ceiling canopy. Check/test connections.