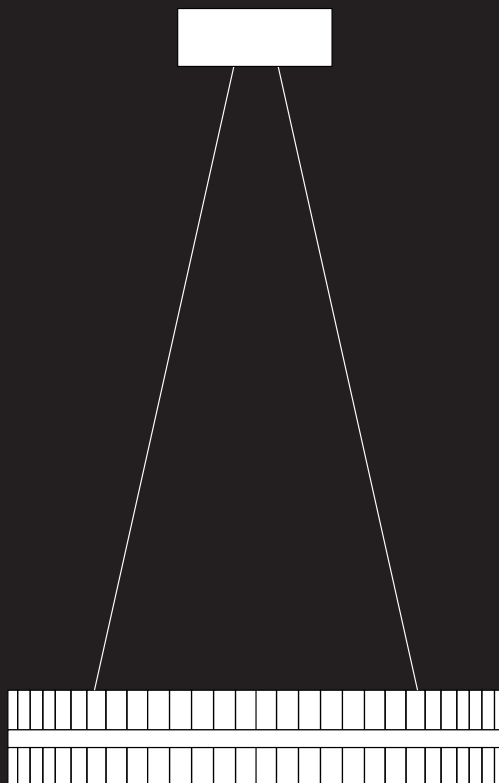


SATURNO LED PENDANT INSTALLATION INSTRUCTIONS 1 OF 7

BARONCELLI ⌘



WHAT IS INCLUDED

1. Ceiling canopy
2. Suspension cable
3. Spares
4. Angle gripper (1200 DIA)

WHAT YOU WILL NEED

1. Screws
2. Screwdriver (3.5mm / 1/8" flat tip) + pliers
3. Soft cloth

WEIGHTS

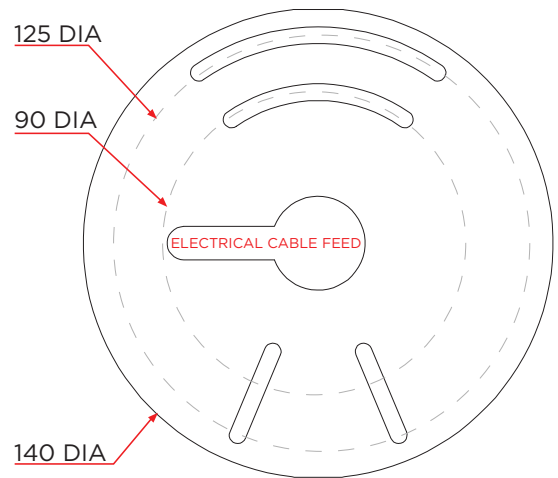
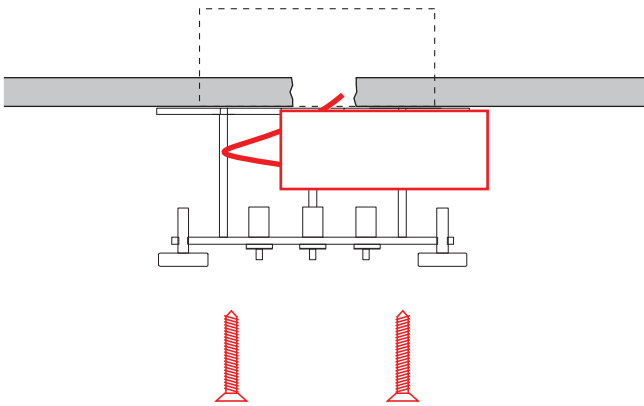
470 DIA	7kg (16LB)
700 DIA	10kg (22LB)
1000 DIA	15kg (33LB)
1200 DIA	17kg (38LB)

SATURNO LED PENDANT INSTALLATION INSTRUCTIONS 2 OF 7

BARONCELLI ⌘

***ENSURE THE MAINS POWER IS
TURNED OFF UNTIL FINAL TEST**

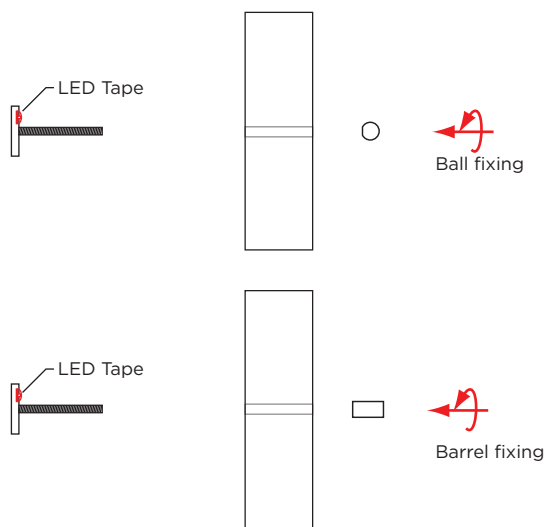
***ENSURE ANY ELECTRICAL WORK IS
CARRIED OUT BY A QUALIFIED ELECTRICIAN**



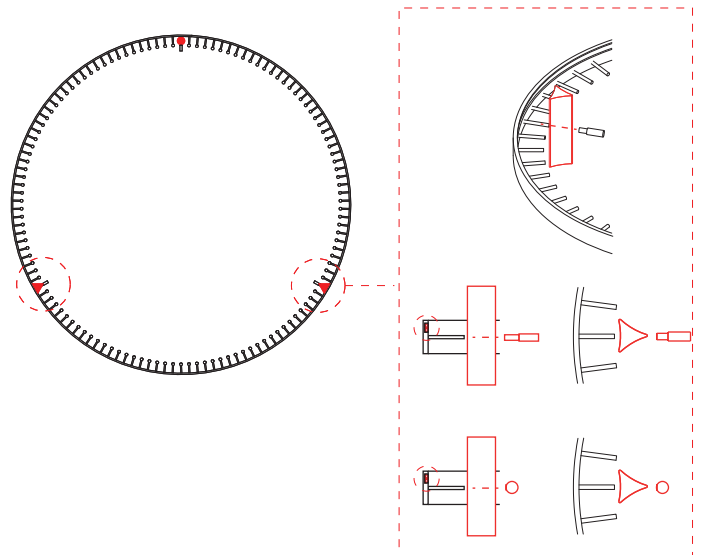
STEP 1

Securely fix the ceiling plate into a ceiling beam/joist (or Junction box for US) using a minimum of 2 fixings. Ensure the fixings are capable of taking the relevant weight. Connect main to power supply.

NOTE: SCREW FIXINGS ARE NOT SUPPLIED



- Electrical connection cylinder attached with barrel fixings
- ▼ Trihedrons attached with barrel fixings

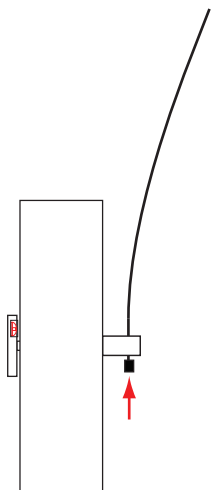


STEP 2

Slide a glass trihedron on with the point facing towards the centre of the frame. Secure in place using a ball / barrel fixing.

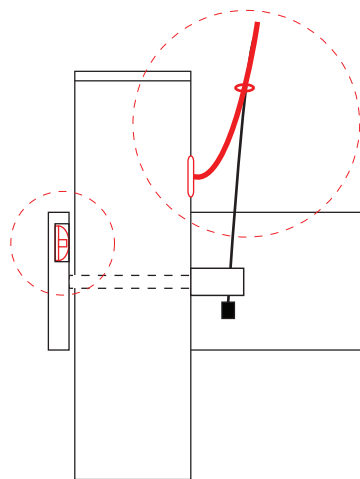
SATURNO LED PENDANT INSTALLATION INSTRUCTIONS 3 OF 7

BARONCELLI ⌘



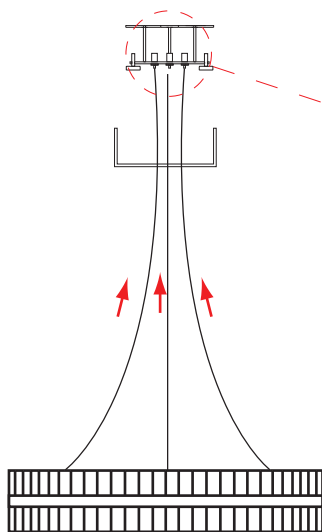
STEP 3

Pass a suspension cable up through each barrel fixing. The barrel fixing must be oriented such that the cable hole is pointing up/down, the fixing may therefore require loosening slightly to achieve this.



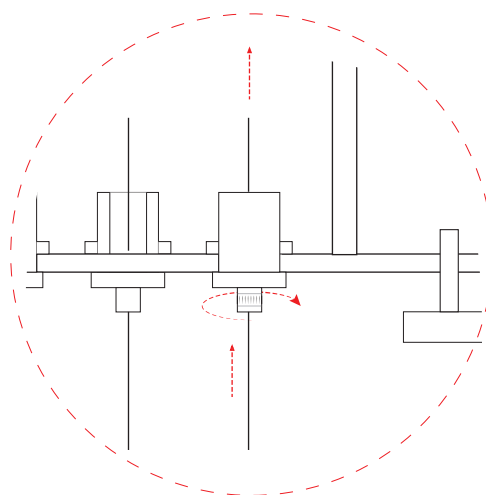
STEP 4

Ensure the LED tape is positioned above the pins and electrical connection feed is located at upper part of the cylinder. Attach O rings to the electric cable. Pass the corresponding suspension cable through the O rings.



STEP 5

Pass three suspension cables up through the ceiling canopy and into the gripper units. Tighten screw caps to lock grippers.

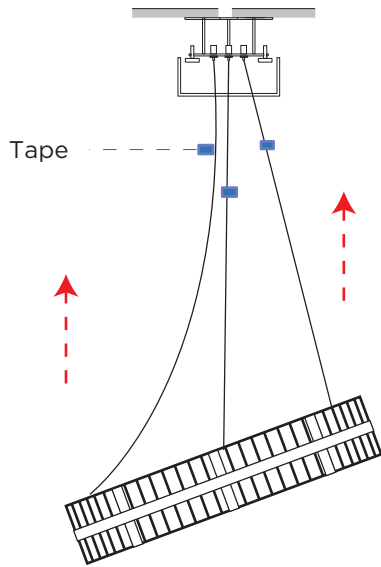


GRIPPER AND SAFETY CAP

Each gripper will have a safety cap which needs to be unscrewed a little in order to allow the cable to pass through. To shorten a cable simply feed the cable back up into the gripper. To lengthen a cable push the loosened cap upwards and the gripper will disengage allowing the cable to pass through it.

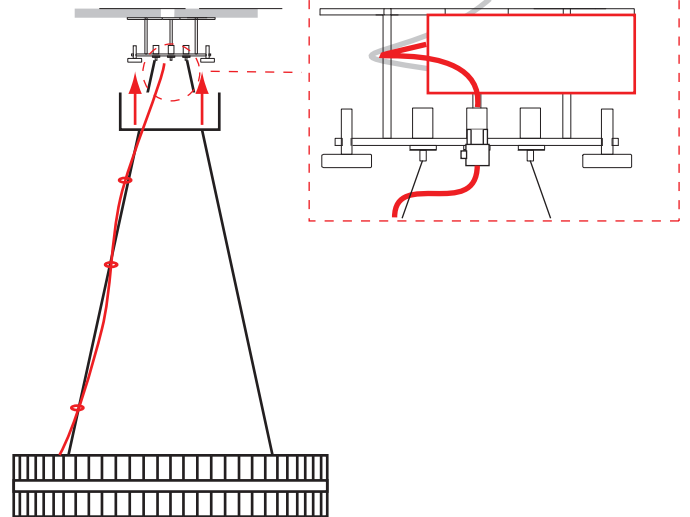
SATURNO PENDANT INSTALLATION INSTRUCTIONS 4 OF 7

BARONCELLI ⌘



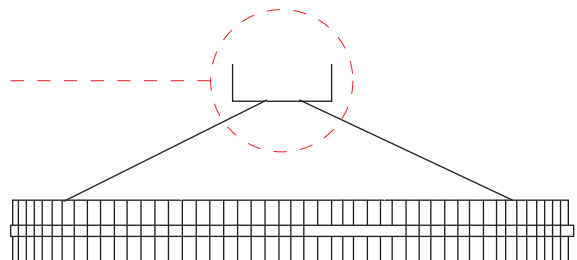
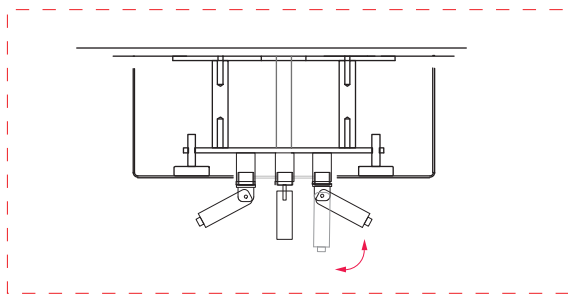
LEVELING

Pre measure the desired height and use tapes for indications.



STEP 7

Make connection to the driver. Test light and raise the canopy to cover.



DROP LENGTH ADJUSTMENT FOR 1200 DIA SATURNO

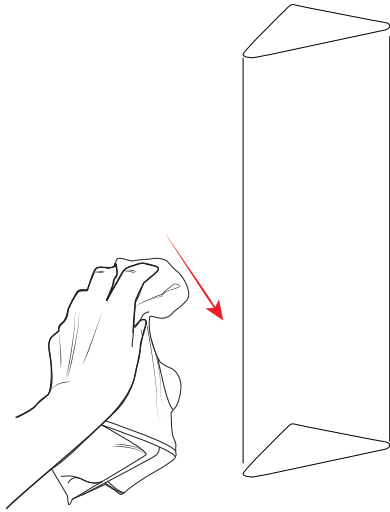
If overall drop required to be short, use the enclosed angle grippers for enabling the length.

ENSURE ANY ELECTRICAL WORK IS CARRIED OUT BY A QUALIFIED ELECTRICIAN

OPERATION AND MAINTENANCE

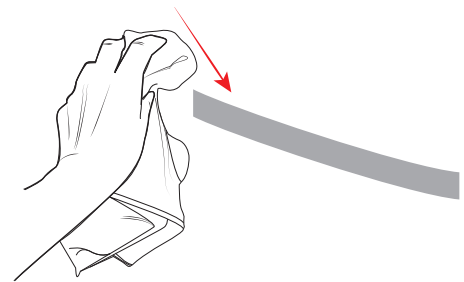
5 OF 7

BARONCELLI 



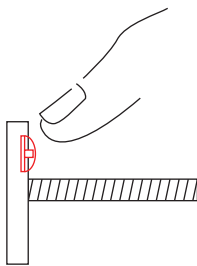
GLASS CLEANING

Glass elements should be carefully cleaned using a soft cloth.



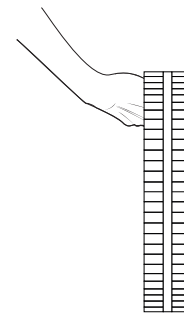
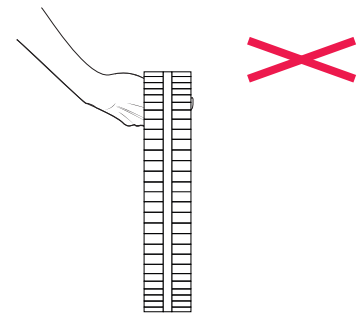
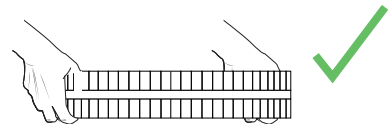
METAL CLEANING

Carefully clean metal surfaces using a soft cloth and no liquid.



LED TAPE

Do not touch or put pressure on the LED tape.



HANDLING

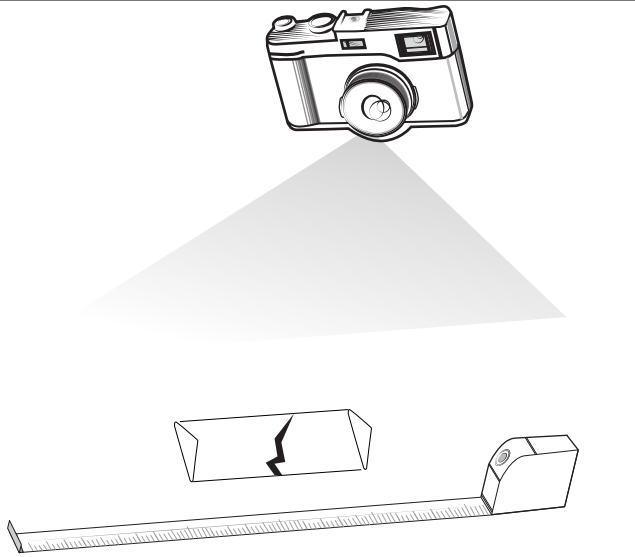
Hold ring flat at all times, do not hold at an angle from the glass as this will put pressure on the LED tape.

OPERATION AND MAINTENANCE

ENSURE ANY ELECTRICAL WORK IS CARRIED OUT BY A QUALIFIED ELECTRICIAN

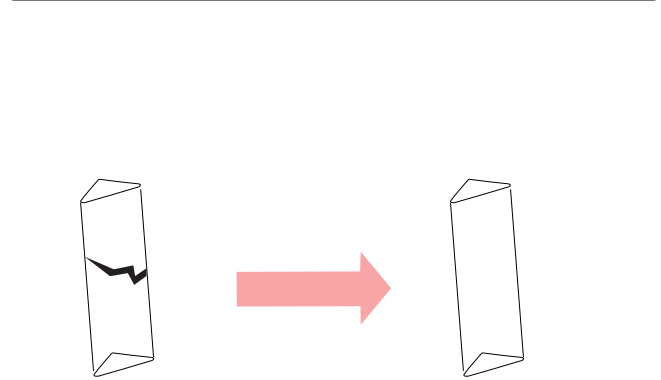
6 OF 7

BARONCELLI ⌘



PHOTOGRAPH THE BREAKAGE

Ensure a clear side on image with a measuring tape along the breakage for scale is taken.



IDENTIFY MATCHING COMPONENT

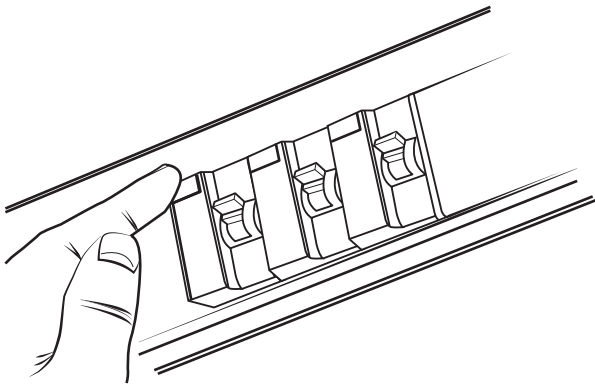
If possible, find matching component to take measurements from. i.e an arm or a cup.

ENSURE ANY ELECTRICAL WORK IS CARRIED OUT BY A QUALIFIED ELECTRICIAN

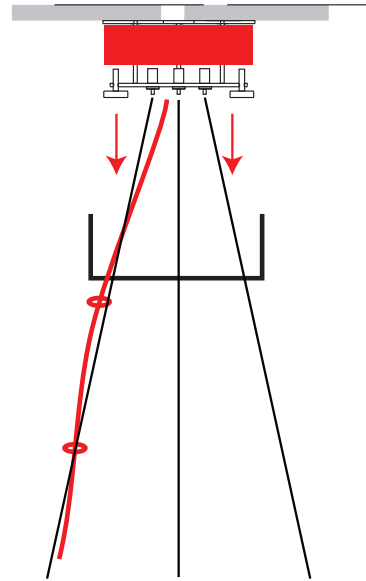
OPERATION AND MAINTENANCE

7 OF 7

BARONCELLI ⌘



STEP A
TROUBLE SHOOTING - ELECTRICAL FAULTS
Check fusebaord



STEP B
TROUBLE SHOOTING - ELECTRICAL FAULTS
Lower ceiling canopy. Check/test connections.