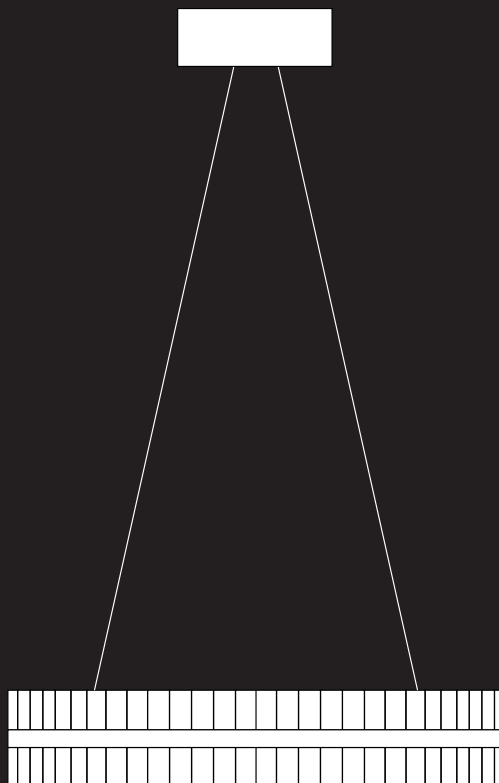


# SATURNO LED PENDANT INSTALLATION INSTRUCTIONS 1 OF 7

BARONCELLI ⌘



## WHAT IS INCLUDED

1. Ceiling canopy
2. Suspension cable
3. Spares
4. Angle gripper (1200 DIA)

## WHAT YOU WILL NEED

1. Screws
2. Screwdriver (3.5mm / 1/8" flat tip) + pliers
3. Soft cloth

## WEIGHTS

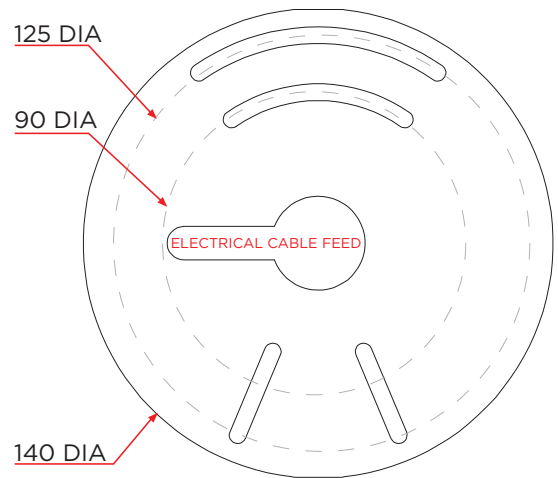
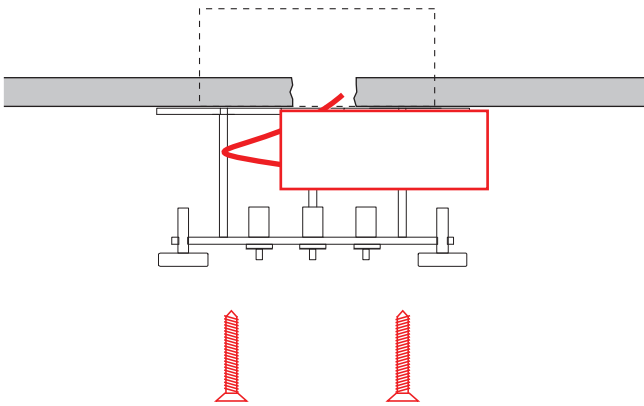
470 DIA	7kg (16LB)
700 DIA	10kg (22LB)
1000 DIA	15kg (33LB)
1200 DIA	17kg (38LB)

# SATURNO LED PENDANT INSTALLATION INSTRUCTIONS 2 OF 7

BARONCELLI ⌘

**\*ENSURE THE MAINS POWER IS  
TURNED OFF UNTIL FINAL TEST**

**\*ENSURE ANY ELECTRICAL WORK IS  
CARRIED OUT BY A QUALIFIED ELECTRICIAN**

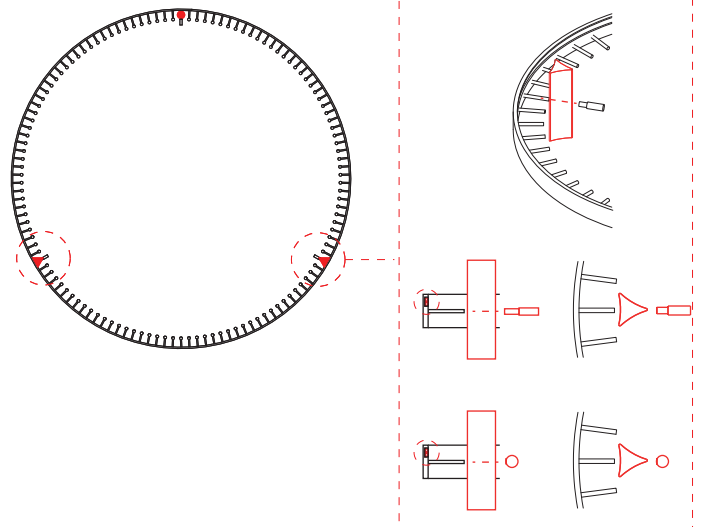
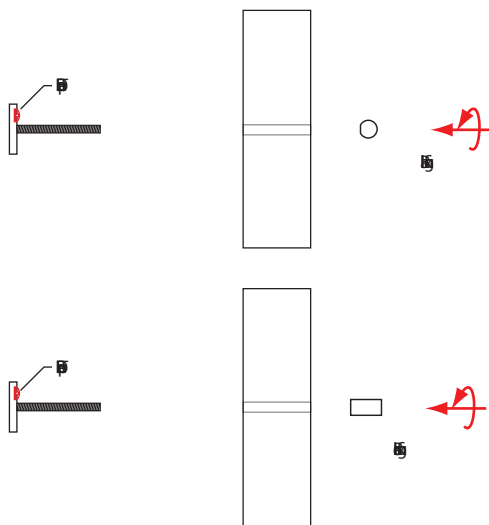


## STEP 1

Securely fix the ceiling plate into a ceiling beam/joist (or Junction box for US) using a minimum of 2 fixings. Ensure the fixings are capable of taking the relevant weight. Connect main to power supply.

NOTE: SCREW FIXINGS ARE NOT SUPPLIED

- Electrical connection cylinder attached with barrel fixings
- ▼ Trihedrons attached with barrel fixings

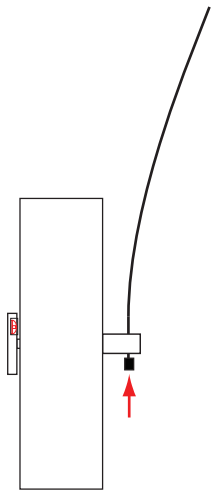


## STEP 2

Slide a glass trihedron on with the point facing towards the centre of the frame. Secure in place using a ball / barrel fixing.

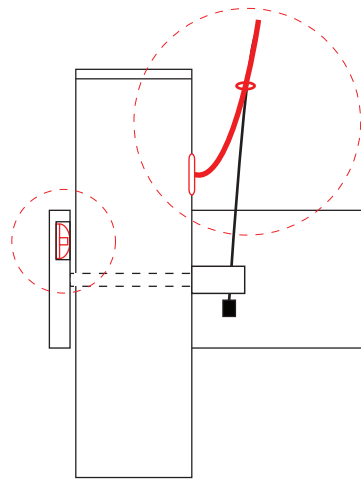
# SATURNO LED PENDANT INSTALLATION INSTRUCTIONS 3 OF 7

BARONCELLI ⌘



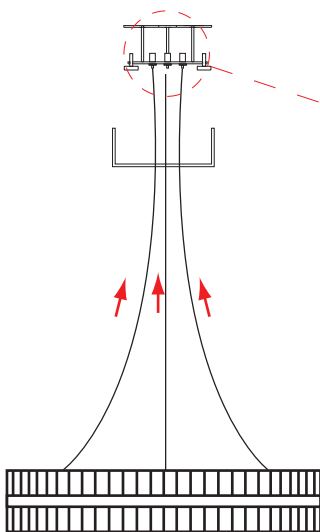
### STEP 3

Pass a suspension cable up through each barrel fixing. The barrel fixing must be oriented such that the cable hole is pointing up/down, the fixing may therefore require loosening slightly to achieve this.



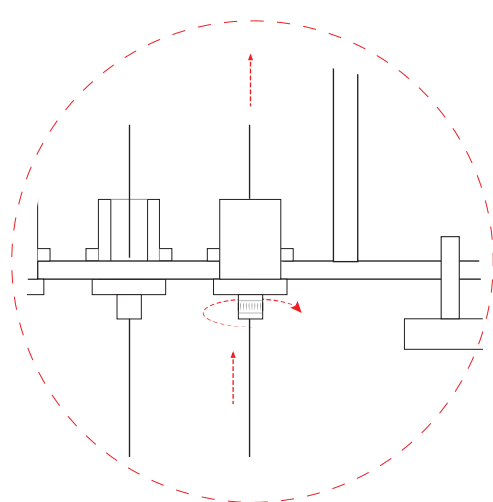
### STEP 4

Ensure the LED tape is positioned above the pins and electrical connection feed is located at upper part of the cylinder. Attach O rings to the electric cable. Pass the corresponding suspension cable through the O rings.



### STEP 5

Pass three suspension cables up through the ceiling canopy and into the gripper units. Tighten screw caps to lock grippers.

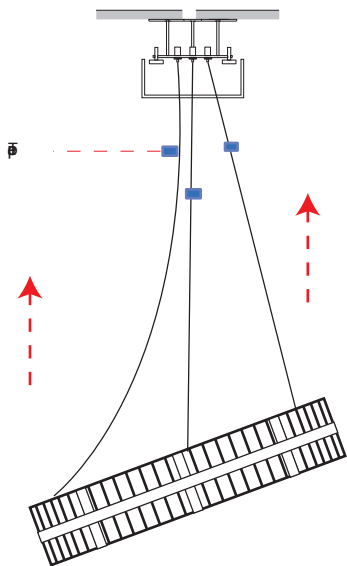


### GRIPPER AND SAFETY CAP

Each gripper will have a safety cap which needs to be unscrewed a little in order to allow the cable to pass through. To shorten a cable simply feed the cable back up into the gripper. To lengthen a cable push the loosened cap upwards and the gripper will disengage allowing the cable to pass through it.

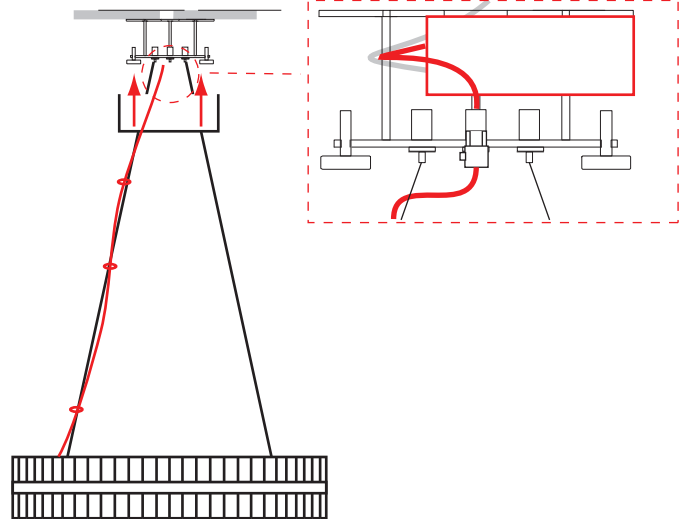
# SATURNO PENDANT INSTALLATION INSTRUCTIONS 4 OF 7

BARONCELLI 



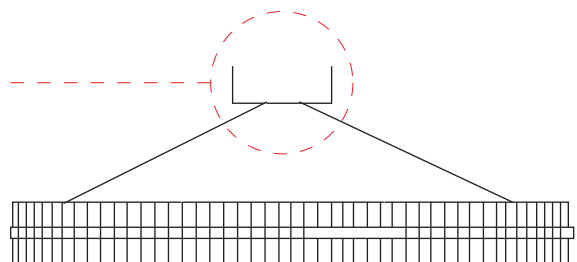
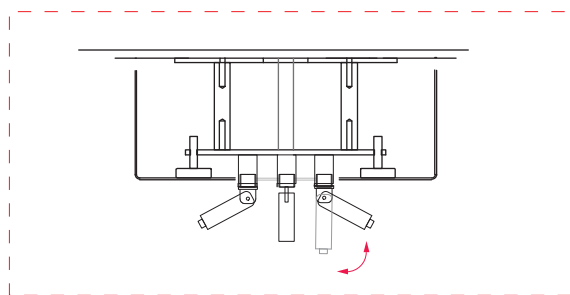
## LEVELING

Pre measure the desired height and use tapes for indications.



## STEP 7

Make connection to the driver. Test light and raise the canopy to cover.



## DROP LENGTH ADJUSTMENT FOR 1200 DIA SATURNO

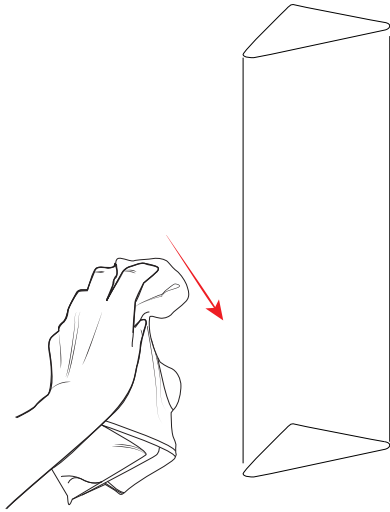
If overall drop required to be short, use the enclosed angle grippers for enabling the length.

\*ENSURE ANY ELECTRICAL WORK IS CARRIED OUT BY A QUALIFIED ELECTRICIAN\*

# OPERATION AND MAINTENANCE

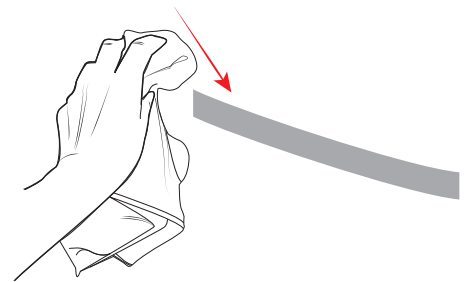
5 OF 7

BARONCELLI ⌘



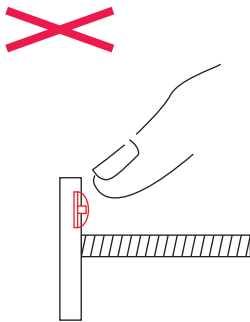
## GLASS CLEANING

Glass elements should be carefully cleaned using a soft cloth.



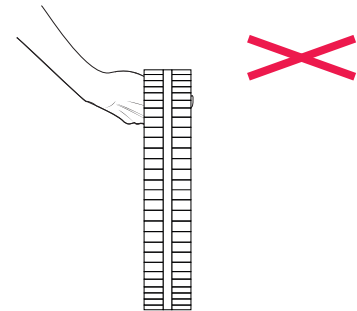
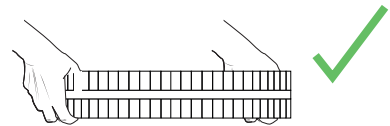
## METAL CLEANING

Carefully clean metal surfaces using a soft cloth and no liquid.



## LED TAPE

Do not touch or put pressure on the LED tape.



## HANDLING

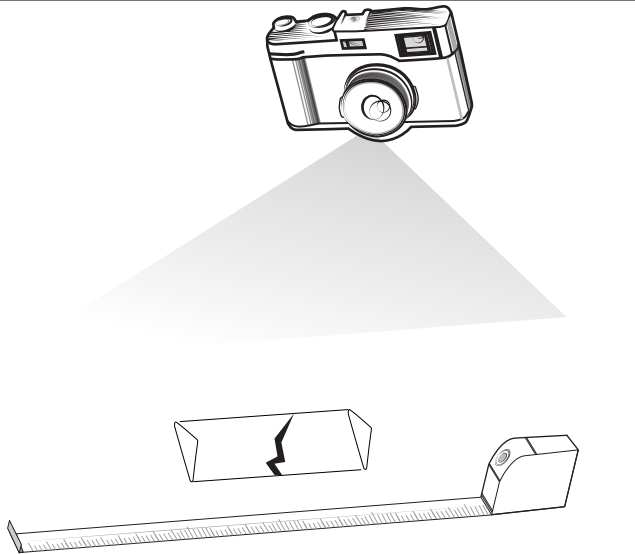
Hold ring flat at all times, do not hold at an angle from the glass as this will put pressure on the LED tape.

# OPERATION AND MAINTENANCE

\*ENSURE ANY ELECTRICAL WORK IS CARRIED OUT BY A QUALIFIED ELECTRICIAN\*

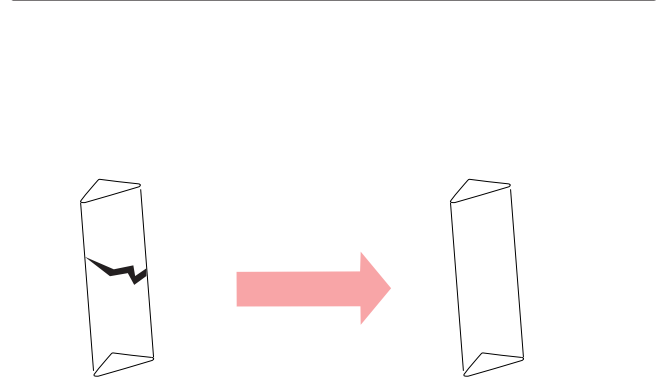
6 OF 7

BARONCELLI ⌘



## PHOTOGRAPH THE BREAKAGE

Ensure a clear side on image with a measuring tape along the breakage for scale is taken.



## IDENTIFY MATCHING COMPONENT

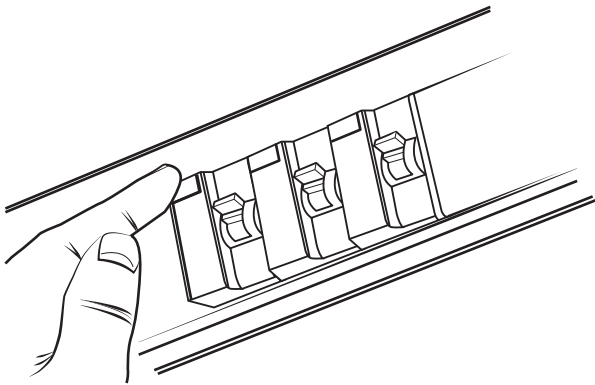
If possible, find matching component to take measurements from. i.e an arm or a cup.

\*ENSURE ANY ELECTRICAL WORK IS CARRIED OUT BY A QUALIFIED ELECTRICIAN\*

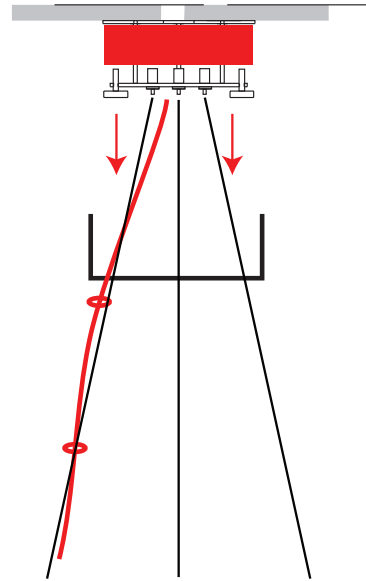
# OPERATION AND MAINTENANCE

7 OF 7

BARONCELLI ⌘



**STEP A**  
**TROUBLE SHOOTING - ELECTRICAL FAULTS**  
Check fusebaord



**STEP B**  
**TROUBLE SHOOTING - ELECTRICAL FAULTS**  
Lower ceiling canopy. Check/test connections.