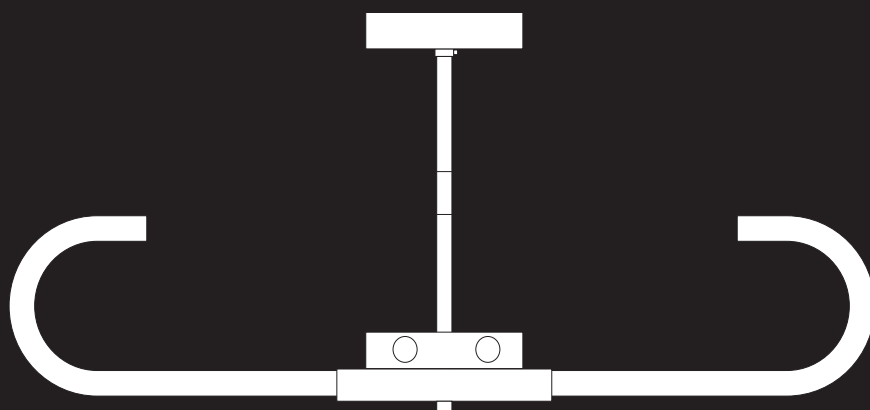


TOBIA PENDANT

INSTALLATION INSTRUCTIONS

1 OF 5

BARONCELLI ⌘



WHAT IS INCLUDED

1. Ceiling canopy
2. Stem
3. Bracket Bar (Junction box attachment)

WEIGHT

- 9 Arms (6 Lights) 10kg(22lb)
- 12 Arms (6 Lights) 14kg(31lb)
- 15 Arms (6 Lights) 18kg(40lb)

WHAT YOU WILL NEED

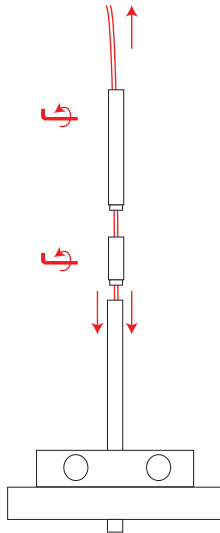
1. Ceiling / Junction box fixings
2. Bulbs - G9 (240v) / G9 (120v) - Max 40W
4. Hex key
4. Soft cloth

TOBIA PENDANT

INSTALLATION INSTRUCTIONS

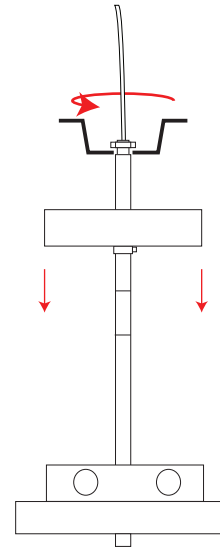
2 OF 5

BARONCELLI ⌘



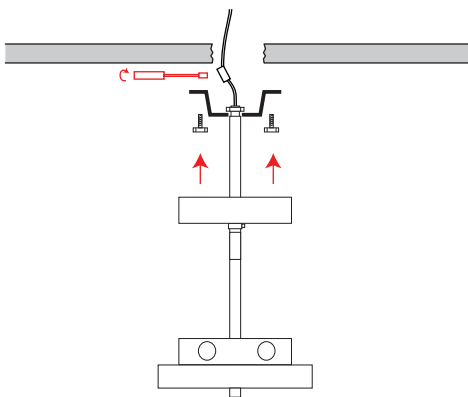
STEP 1

Assemble stem sections securely with grub screws. Thread the cable up through the stem. Fasten stem into lighting unit securing with grub screw.



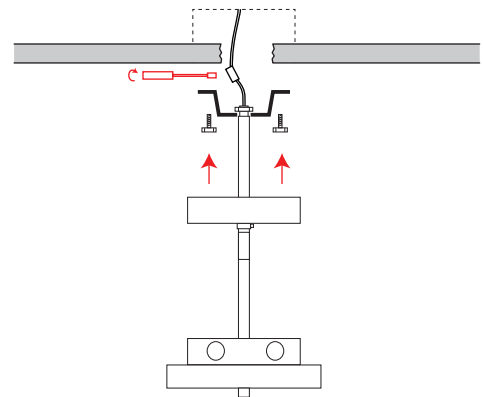
STEP 2

Slide ceiling canopy onto stem and fasten Y bracket at the top of the stem.



STEP 3

Securely fasten bracket bar in to a ceiling beam or joist and make electrical connection. Pass the stem through the bracket bar and secure using nuts above and below. Please refer to weights on the front cover sheet.



STEP 3 (U.S)

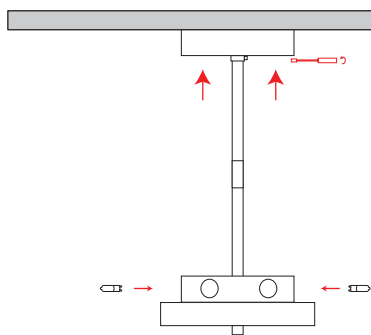
Securely fasten bracket bar in to the junction box and make electrical connection. Pass the stem through the bracket bar and secure using nuts above and below. Please refer to weights on the front cover sheet.

TOBIA PENDANT

INSTALLATION INSTRUCTIONS

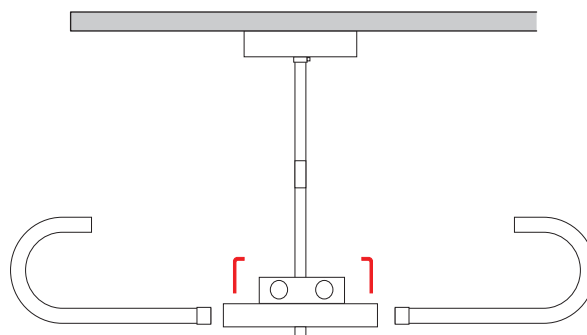
3 OF 5

BARONCELLI 



STEP 4

Insert bulbs and test electrics. Raise and secure ceiling canopy.



STEP 5

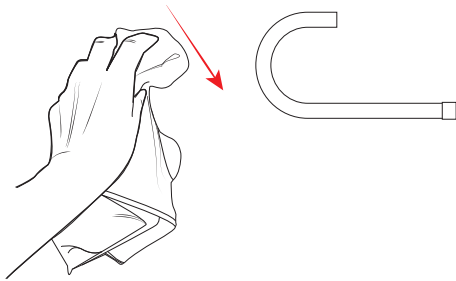
Install glass arms sliding each into the frame socket and securing with the grub screw on the top side of the socket. Ensure glass is orientated such that the curl points directly upwards.

OPERATION AND MAINTENANCE

ENSURE ANY ELECTRICAL WORK IS CARRIED OUT BY A QUALIFIED ELECTRICIAN

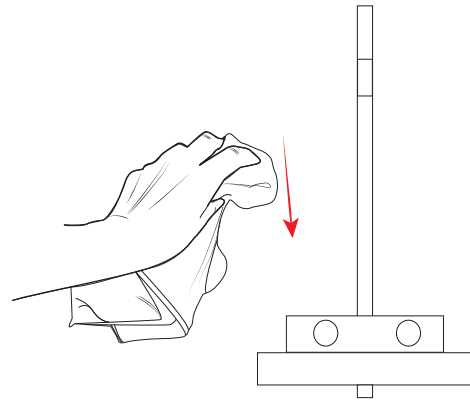
4 OF 5

BARONCELLI ⌘



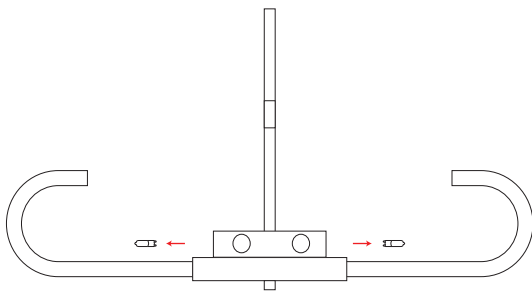
GLASS CLEANING

Glass elements should be carefully cleaned using a soft cloth.



METAL CLEANING

Carefully clean metal surfaces using a soft cloth and no liquid.



REPLACING A BULB

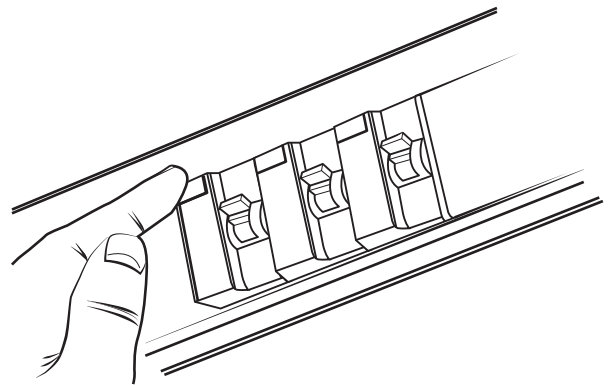
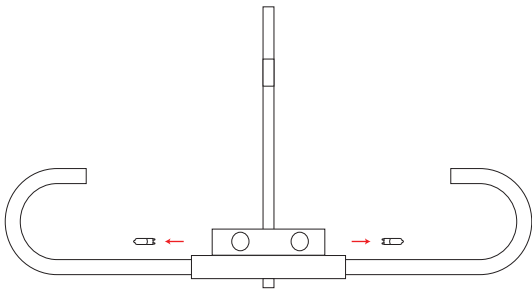
Bulbs can be accessed with glass insitu. Ensure bulb has cooled down before removing.

OPERATION AND MAINTENANCE

ENSURE ANY ELECTRICAL WORK IS CARRIED OUT BY A QUALIFIED ELECTRICIAN

5 OF 5

BARONCELLI 8

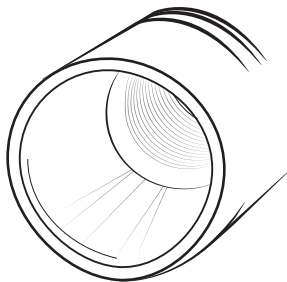


STEP A TROUBLE SHOOTING - ELECTRICAL FAULTS

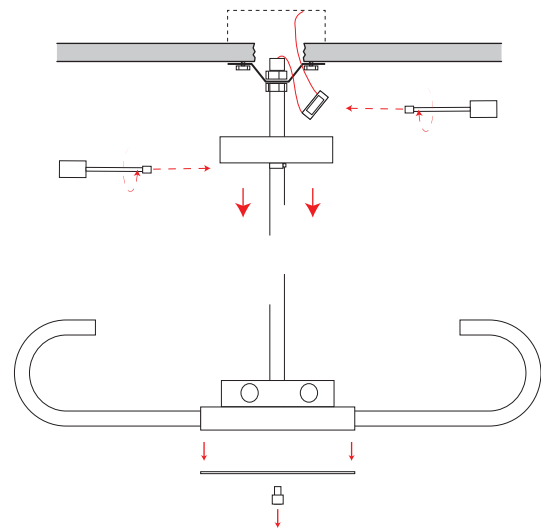
If only a single bulb is not working, check, remove and replace the bulb.

STEP B TROUBLE SHOOTING - ELECTRICAL FAULTS

Check fuseboard



LAMP HOLDER



STEP C TROUBLE SHOOTING - ELECTRICAL FAULTS

Check/test lamp holder.

STEP D TROUBLE SHOOTING - ELECTRICAL FAULTS

Retrace installation steps to access electrical components. Check/test connections. The bottom fixing can be unscrewed to release the base plate if required.