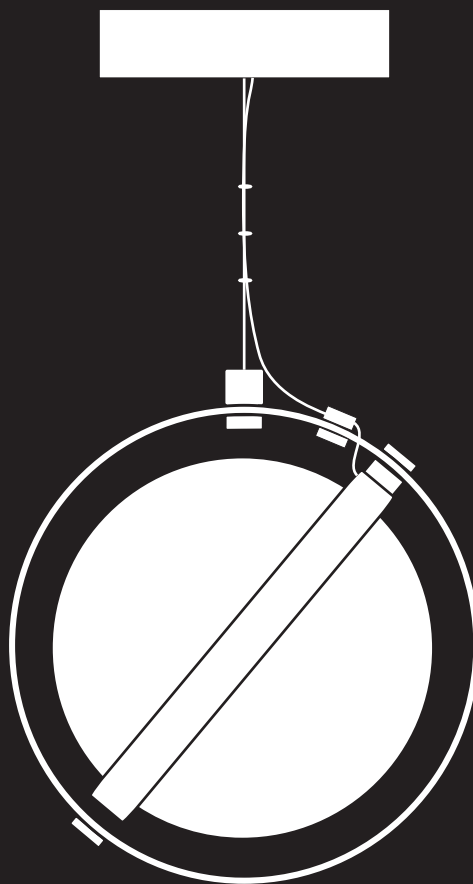


VEGA PENDANT

INSTALLATION INSTRUCTIONS

1 OF 6

BARONCELLI ⌘



WHAT IS INCLUDED

1. Ceiling fitting
2. LED ring
3. Glass
4. Transformer

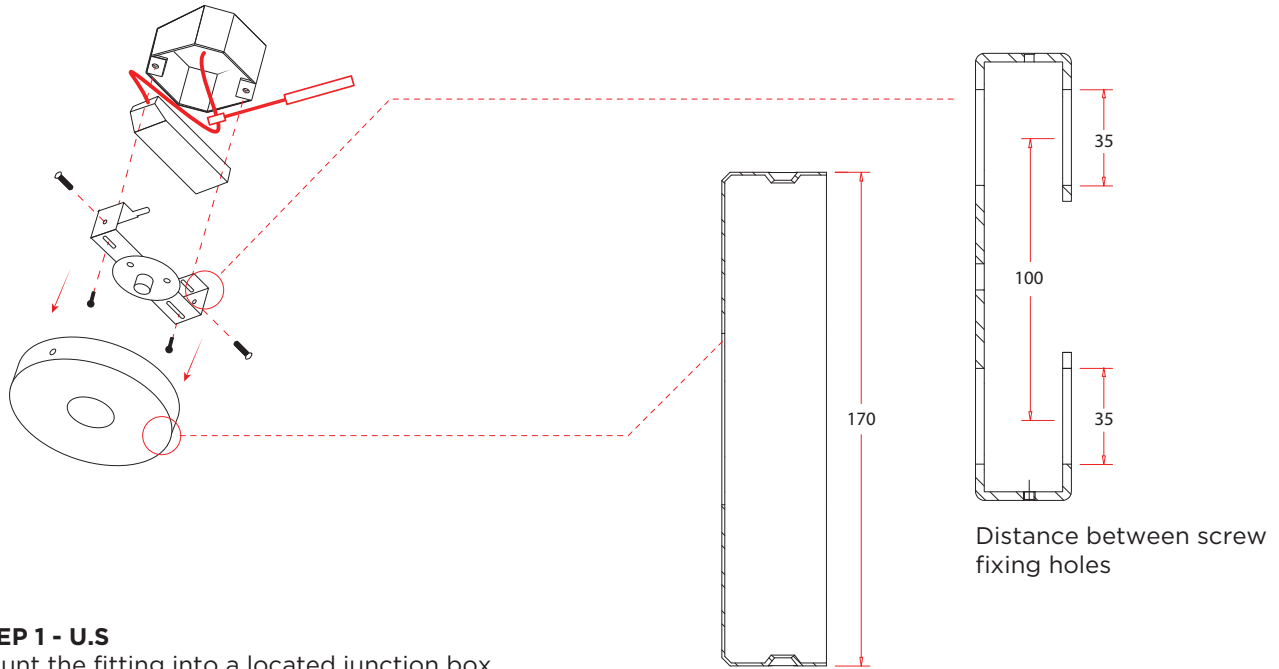
WHAT YOU WILL NEED

1. Screws
2. Screwdriver (3.5mm / 1/8" flat tip) + pliers
3. Soft cloth

WEIGHT
2 kg (4.5lb)

VEGA PENDANT INSTALLATION INSTRUCTIONS 2 OF 6

BARONCELLI 

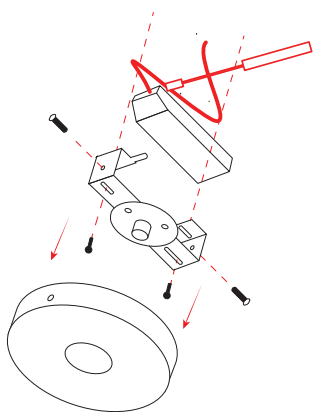


STEP 1 - U.S

Mount the fitting into a located junction box.
Secure surface capable of taking the relevant load.
Make electrical connections to the transformer.

NOTE: SCREW FIXINGS ARE NOT SUPPLIED

OA diameter of outer case



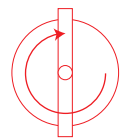
STEP 1

Mount the fitting into a suitably secured firmly into a
beam or joist capable of taking the relevant load.
Make electrical connection to the transformer.

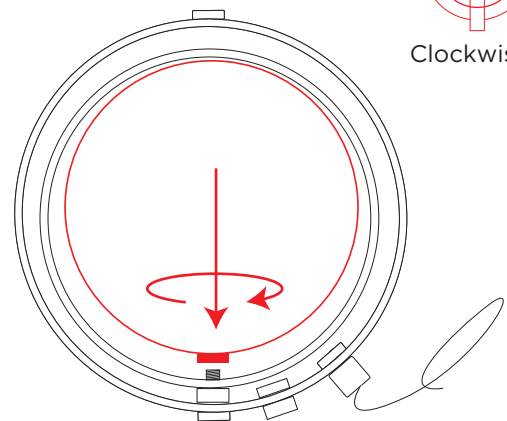
NOTE: SCREW FIXINGS ARE NOT SUPPLIED

DO NOT OVERTIGHTEN THE SPHERE

The sphere must not touch LED throughout the installation
to avoid any dirt /oil marks.



Clockwise

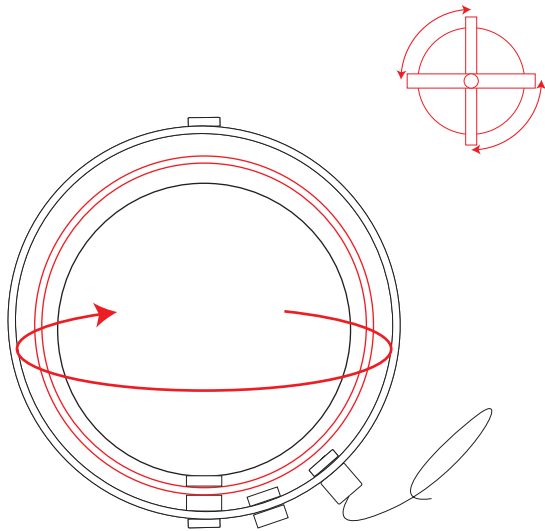


STEP 2

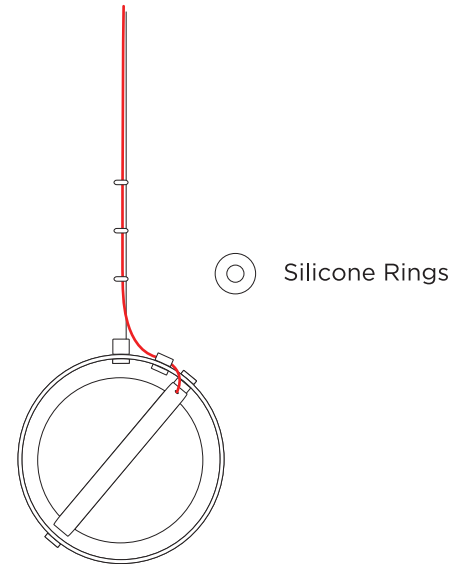
Mount the sphere on to the ring.

VEGA PENDANT INSTALLATION INSTRUCTIONS 3 OF 6

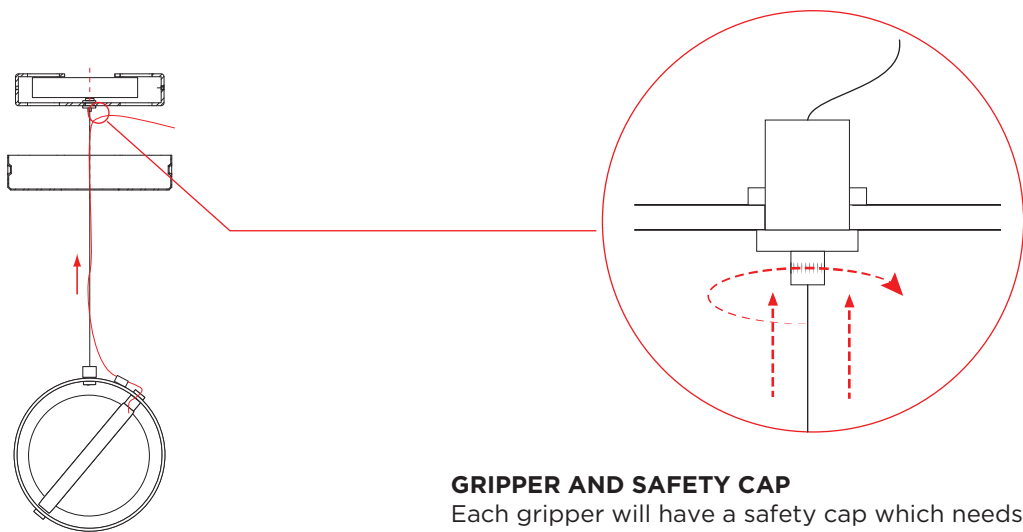
BARONCELLI ⌘



STEP 3
Rotate the internal ring.



STEP 4
Pass the electric & suspension cable through silicone rings.

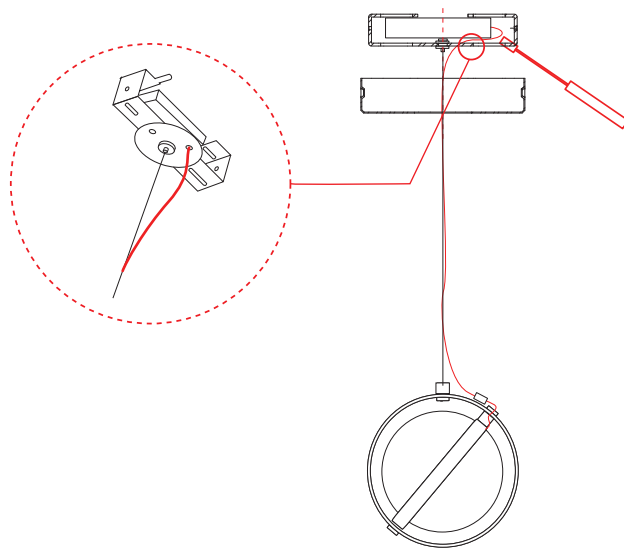


STEP 5
Pass the suspension cable through the ceiling canopy and into the gripper. Tighten screw caps to lock grippers.

GRIPPER AND SAFETY CAP
Each gripper will have a safety cap which needs to be unscrewed a little in order to allow the cable. To shorten a cable simply feed the cable back up into the gripper. To lengthen a cable push the loosened cap upwards and the gripper will disengage allowing the cable to pass through it.

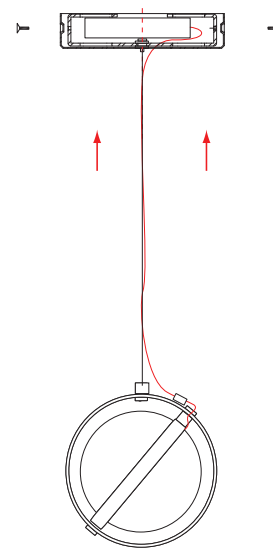
VEGA PENDANT INSTALLATION INSTRUCTIONS 4 OF 6

BARONCELLI ⌘



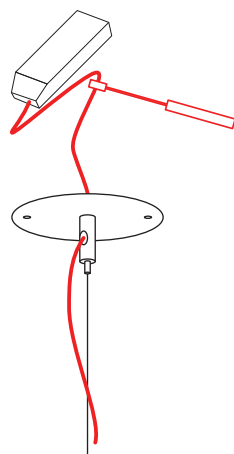
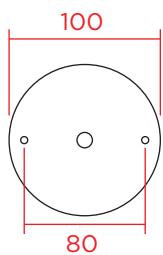
STEP 6

Pass the electrical cable through the ceiling fitting and make electrical connection. Test the lighting.



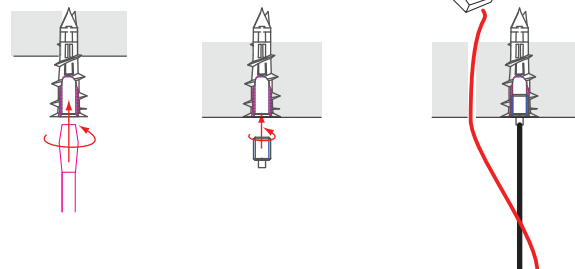
STEP 7

Secure the outer casing into position using 2 x screws.



FLAT DISC CANOPY OPTION

Install using flat disc canopy, driver must be located inside ceiling void. Make electrical connection and post driver up through hole in ceiling. Secure flat plate canopy into position.



INSERT GRIPPER OPTION

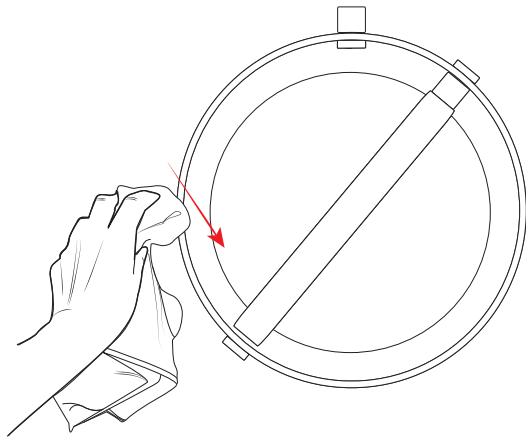
Prior to installation locate driver within ceiling void (max 8m cable length from fittings location including drop). Drill pilothole and screw insert into ceiling, finish as required before fixing gripper into place. Pass electrical cable up through hole in ceiling, chase to driver location. Install suspension cable into ceiling gripper.

OPERATION AND MAINTENANCE

ENSURE ANY ELECTRICAL WORK IS CARRIED OUT BY A QUALIFIED ELECTRICIAN

5 OF 6

BARONCELLI ⌘



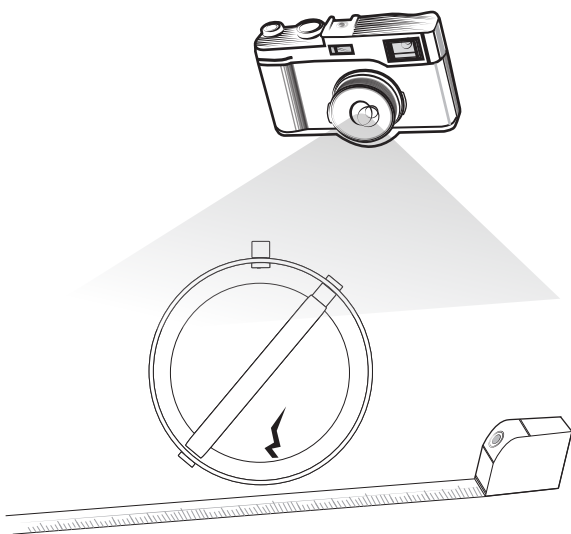
GLASS CLEANING

Glass elements should be carefully cleaned using a soft cloth and no liquid.



METAL CLEANING

Carefully clean metal surfaces using a soft cloth and no liquid.



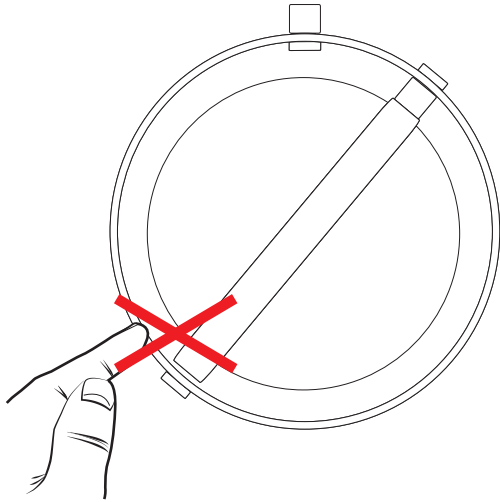
PHOTOGRAPH THE BREAKAGE

Ensure a clear side on image with a measuring tape along the breakage for scale is taken.

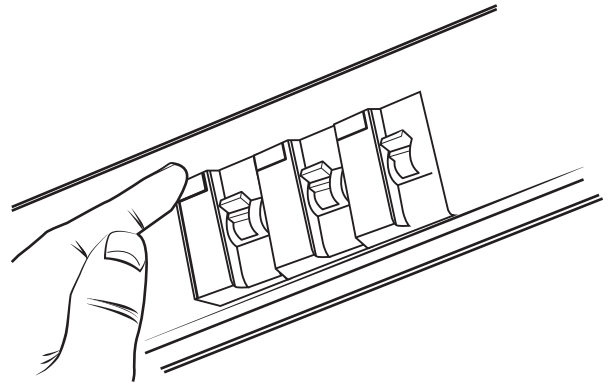
OPERATION AND MAINTENANCE

ENSURE ANY ELECTRICAL WORK IS CARRIED OUT BY A QUALIFIED ELECTRICIAN

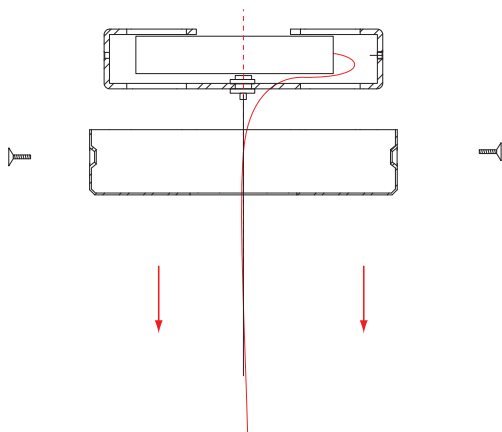
6 OF 6



DO NOT TOUCH LEDS



STEP A
TROUBLE SHOOTING - ELECTRICAL FAULTS
Check fusebaord



STEP B
TROUBLE SHOOTING - ELECTRICAL FAULTS
Retrace installation steps to access transformer within ceiling canopy or ceiling void.