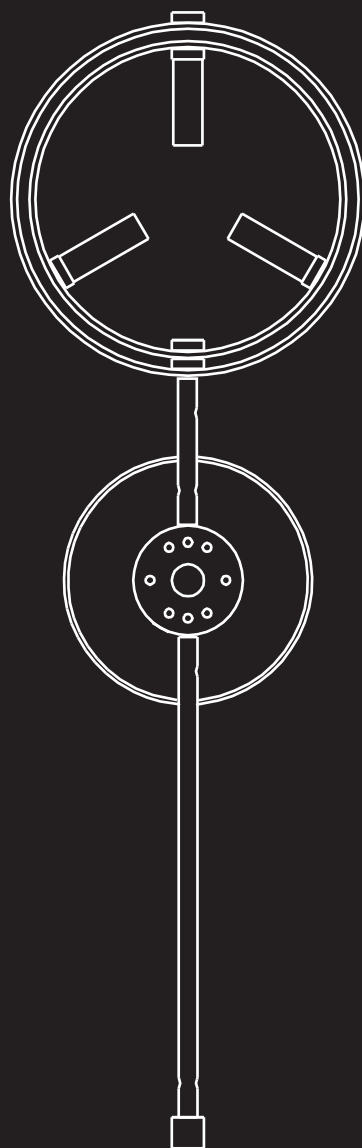


ARLO 1 WALL LIGHT

INSTALLATION INSTRUCTIONS

1 OF 4

BARONCELLI ⌘



WHAT IS INCLUDED

1. Wall fitting
2. Metal rings with LED
3. Glass
4. End caps, spacers
5. Transformer

WHAT YOU WILL NEED

1. Hexkey
2. Screwdriver (3.5mm / 1/8" flat tip) + pliers
4. Soft cloth

WEIGHT

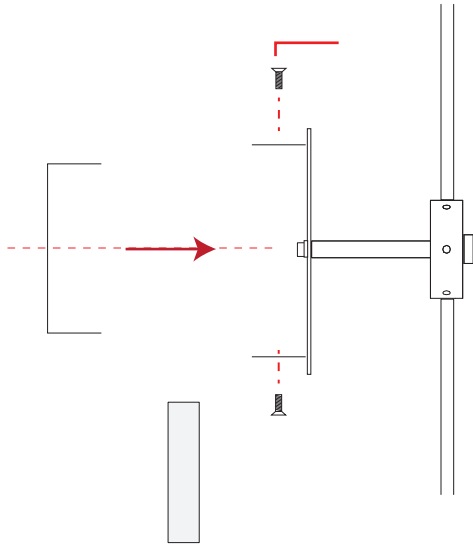
5 kg (11lb)

ARLO 1 WALL LIGHT

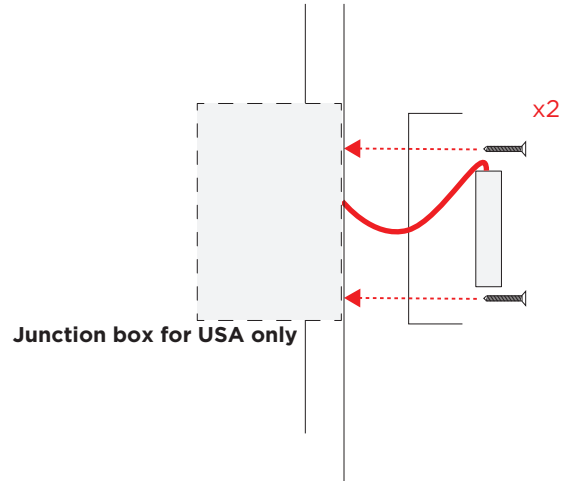
INSTALLATION INSTRUCTIONS

2 OF 4

BARONCELLI ⌘



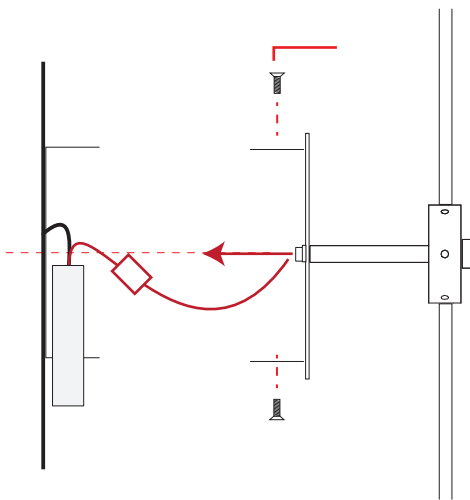
STEP 1
Remove the side screws.



ENSURE ANY ELECTRICAL WORK IS CARRIED OUT BY A QUALIFIED ELECTRICIAN

STEP 2
Mount the wall fitting into a suitably secure surface capable of taking the relevant load. Make electrical connection to the transformer.

NOTE: SCREW FIXINGS ARE NOT SUPPLIED



THIS STEP WILL REQUIRE TWO PEOPLE

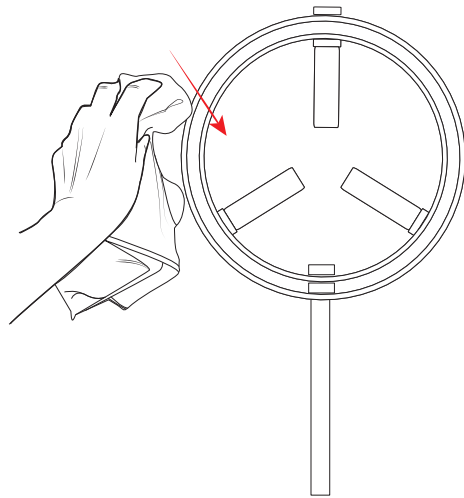
STEP 3
Make electrical connection & secure frame using side screws.

OPERATION AND MAINTENANCE

ENSURE ANY ELECTRICAL WORK IS CARRIED OUT BY A QUALIFIED ELECTRICIAN

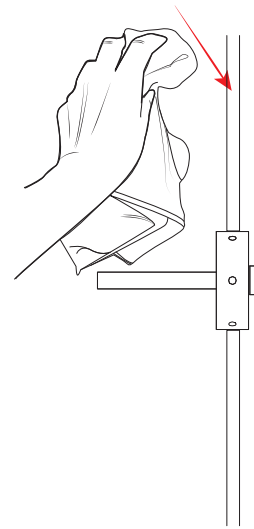
3 OF 4

BARONCELLI ⌘



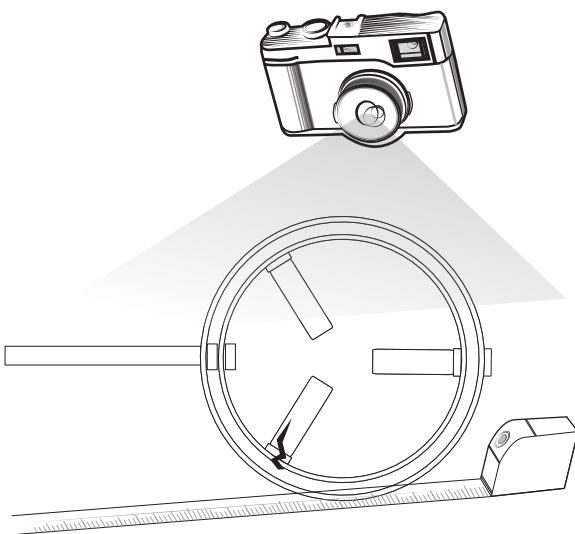
GLASS CLEANING

Glass elements should be carefully cleaned using a soft cloth and no liquid.



METAL CLEANING

Carefully clean metal surfaces using a soft cloth and no liquid.



PHOTOGRAPH THE BREAKAGE

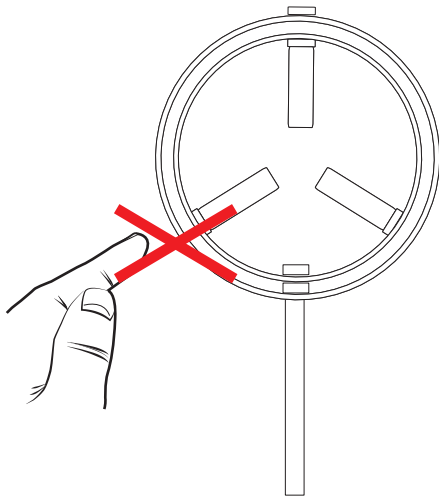
Ensure a clear side on image with a measuring tape along the breakage for scale is taken.

OPERATION AND MAINTENANCE

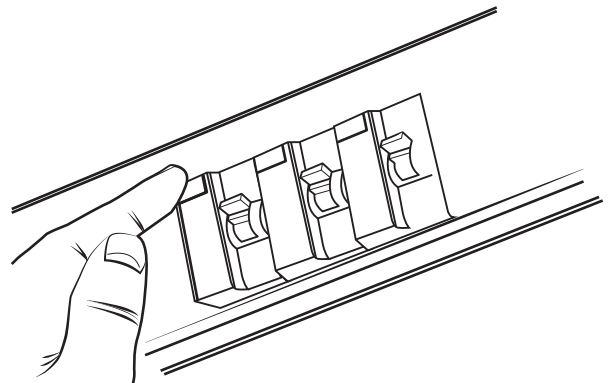
ENSURE ANY ELECTRICAL WORK IS CARRIED OUT BY A QUALIFIED ELECTRICIAN

4 OF 4

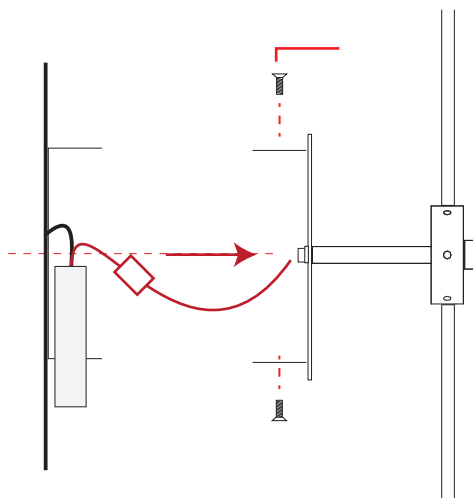
BARONCELLI ⌘



DO NOT TOUCH LEADS



STEP A
TROUBLE SHOOTING - ELECTRICAL FAULTS
Check fusebaord



STEP B
TROUBLE SHOOTING - ELECTRICAL FAULTS
Retrace installation steps to access transformer within the wall fixing.