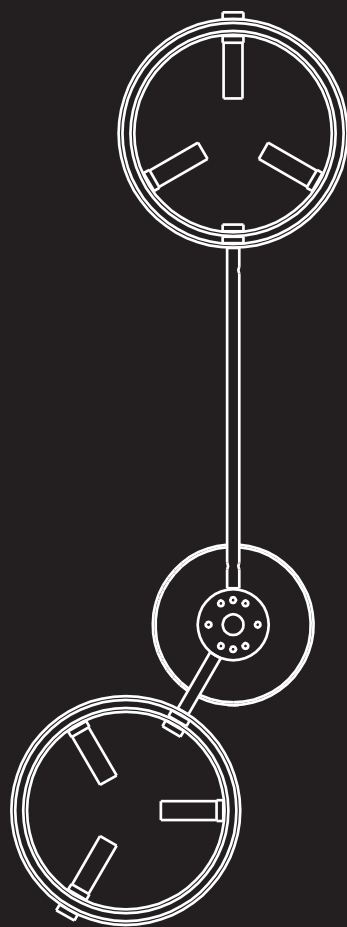


ARLO II WALL LIGHT

INSTALLATION INSTRUCTIONS

1 OF 5

BARONCELLI ⌘



WHAT IS INCLUDED

1. Wall fitting
2. Metal rings with LED
3. Glass
4. End caps, spacers & lighting housings
5. Transformer

WHAT YOU WILL NEED

1. Hexkey
2. Screwdriver (3.5mm / 1/8" flat tip) + pliers
4. Soft cloth

WEIGHT

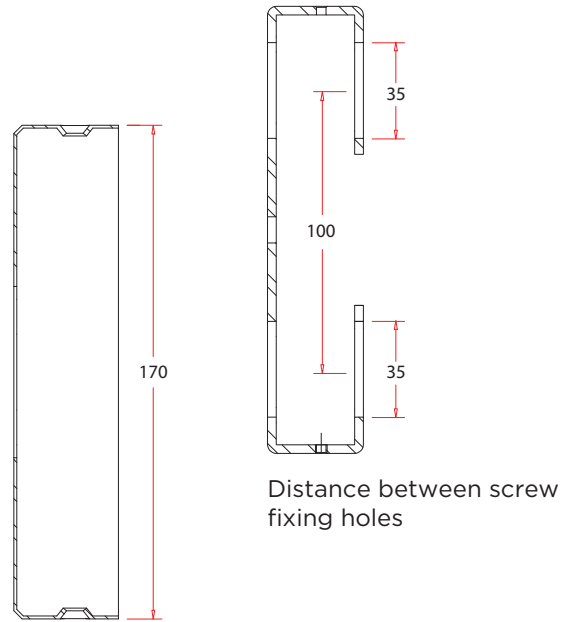
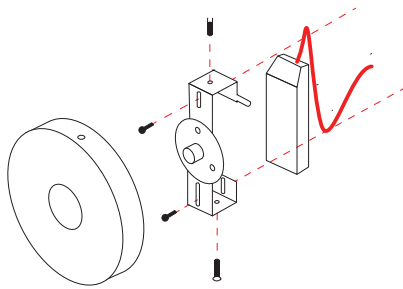
5 kg (11lb)

ARLO II WALL LIGHT

INSTALLATION INSTRUCTIONS

2 OF 5

BARONCELLI 

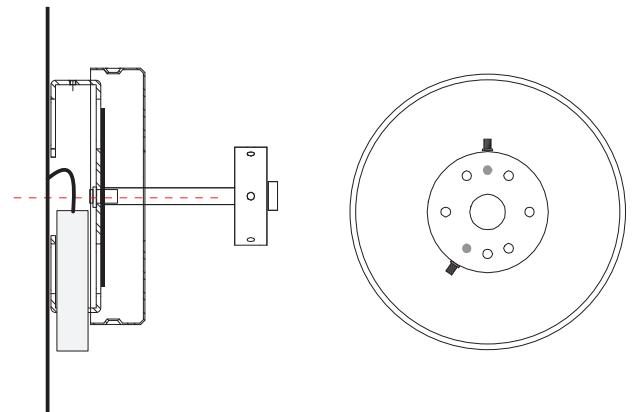
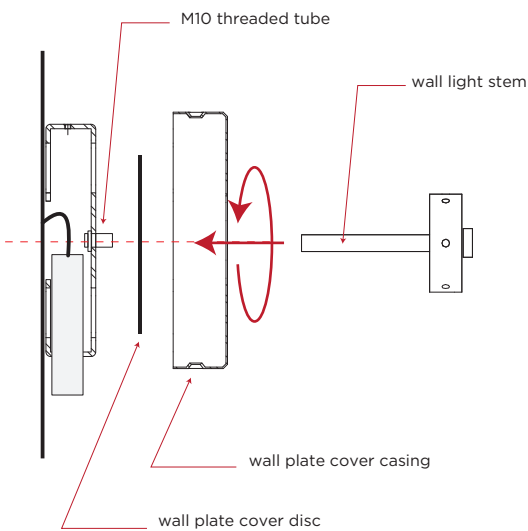


STEP 1

Mount the fixing bracket into a suitably secure surface capable of taking the relevant load. Make electrical connection to the transformer.

OA diameter of outer case

NOTE: SCREW FIXINGS ARE NOT SUPPLIED



STEP 2

Pass the wall plate cover disc through M10 threaded tube on the fixing bracket, pass the wall plate cover casing through the wall light stem (ensure not to secure the wall cover casing with screws at this step).

STEP 3

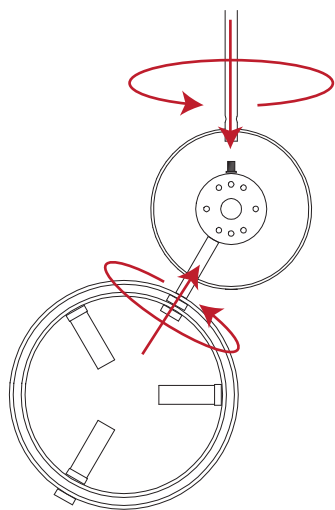
Ensure M10 - M6 reducers are pointing in the direction shown above.

ARLO II WALL LIGHT

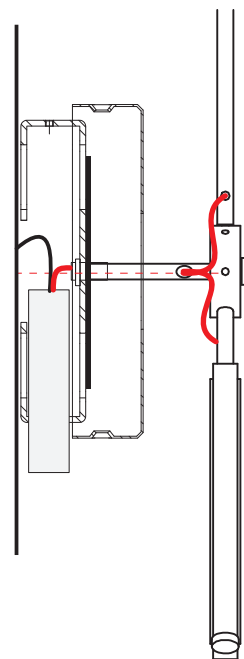
INSTALLATION INSTRUCTIONS

3 OF 5

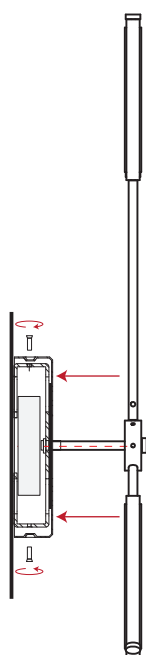
BARONCELLI 



STEP 4
Attach arms to the corresponding locations.



STEP 5
Chase the cable through the stem and connect to the transformer.



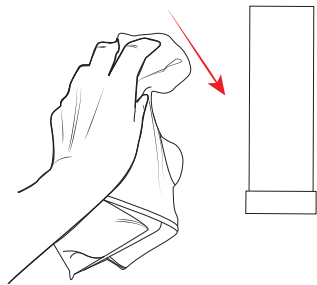
STEP 6
Test the light.
Set the wall plate cover and secure with x2 screws.

OPERATION AND MAINTENANCE

ENSURE ANY ELECTRICAL WORK IS CARRIED OUT BY A QUALIFIED ELECTRICIAN

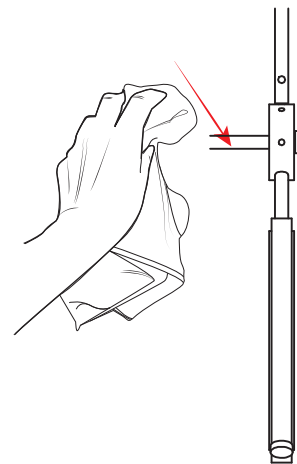
4 OF 5

BARONCELLI ⌘



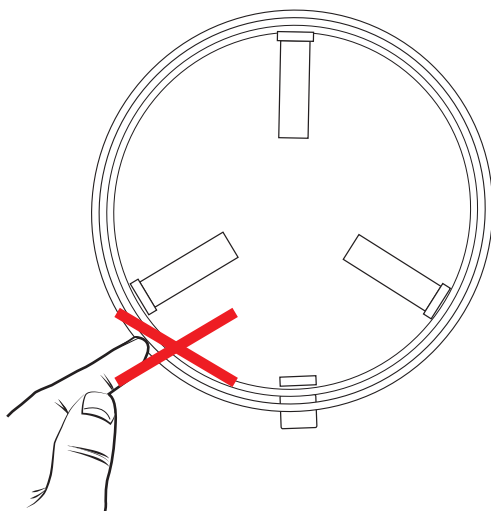
GLASS CLEANING

Glass elements should be carefully cleaned using a soft cloth.

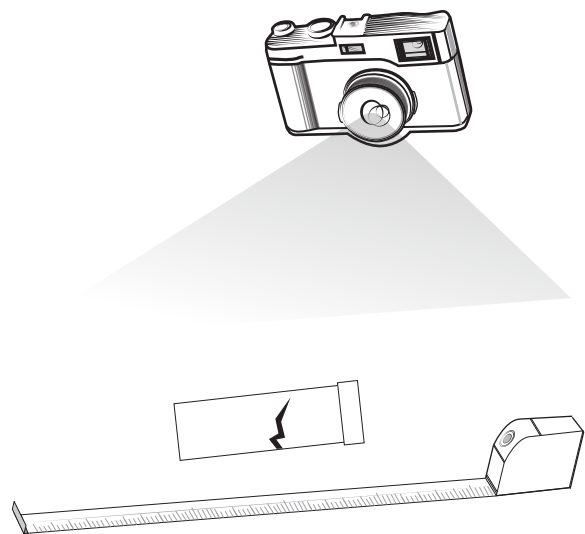


METAL CLEANING

Carefully clean metal surfaces using a soft cloth and no liquid.



DO NOT TOUCH LENS



PHOTOGRAPH THE BREAKAGE

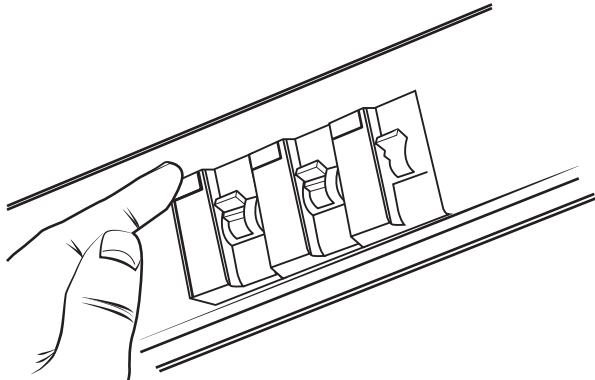
Ensure a clear side on image with a measuring tape along the breakage for scale is taken.

OPERATION AND MAINTENANCE

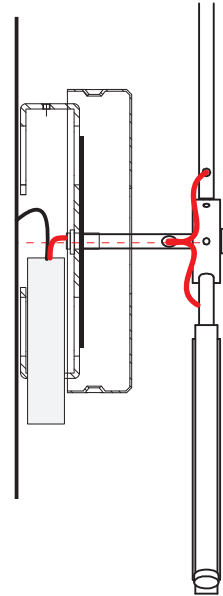
ENSURE ANY ELECTRICAL WORK IS CARRIED OUT BY A QUALIFIED ELECTRICIAN

5 OF 5

BARONCELLI 8



STEP A
TROUBLE SHOOTING - ELECTRICAL FAULTS
Check fusebaord



STEP D
TROUBLE SHOOTING - ELECTRICAL FAULTS
Remove side screws to access transformer within wall plate.