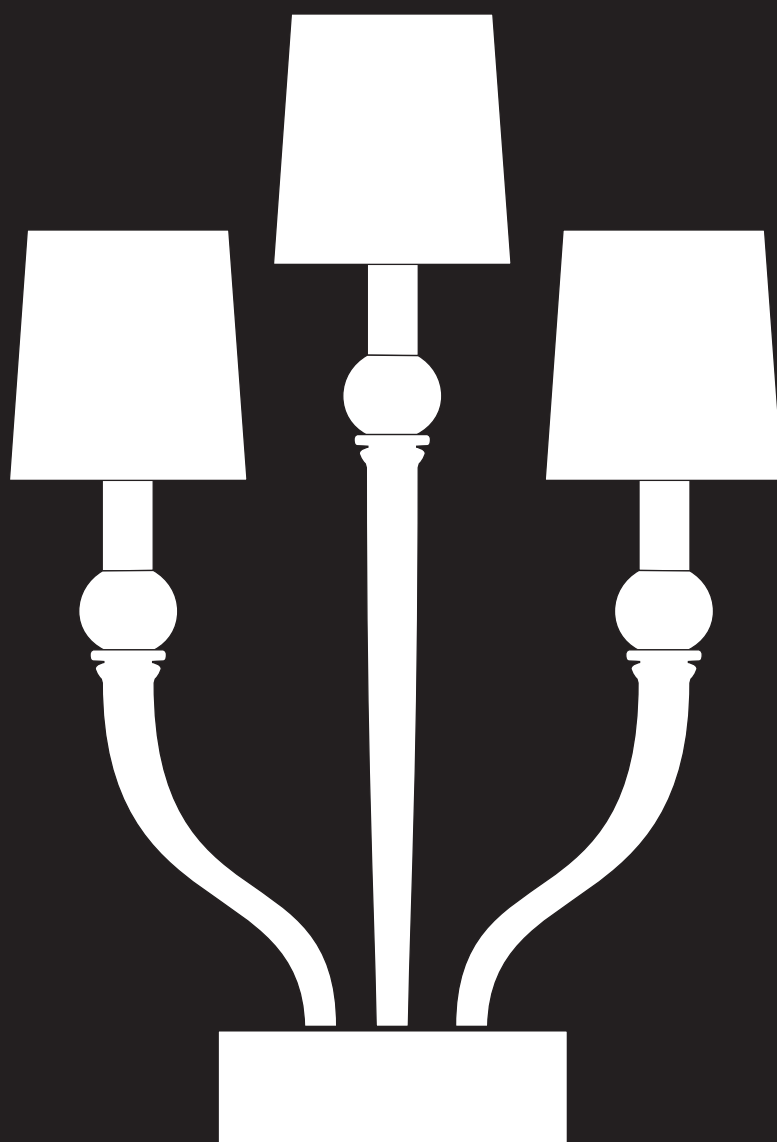


BRAMANTE 3 LIGHTS WALL LIGHT

INSTALLATION INSTRUCTIONS

1 OF 6

BARONCELLI ⌘



WHAT IS INCLUDED

1. Wall fitting

WEIGHTS

3 LIGHTS 5kg (12LB)

WHAT YOU WILL NEED

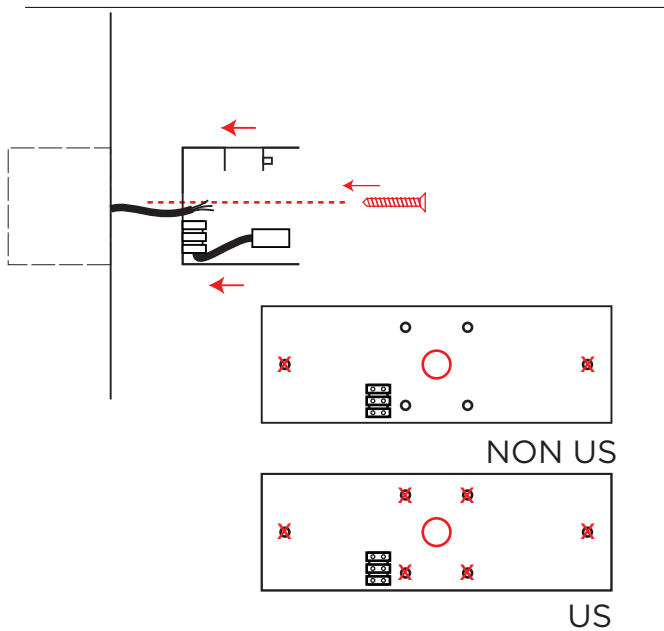
1. Screws
2. Bulbs - E14 (240v) / E12 (120v) - Max 40W
3. Screwdriver (3.5mm / 1/8" flat tip) + pliers
4. Soft cloth

BRAMANTE 3 LIGHTS WALL LIGHT

INSTALLATION INSTRUCTIONS

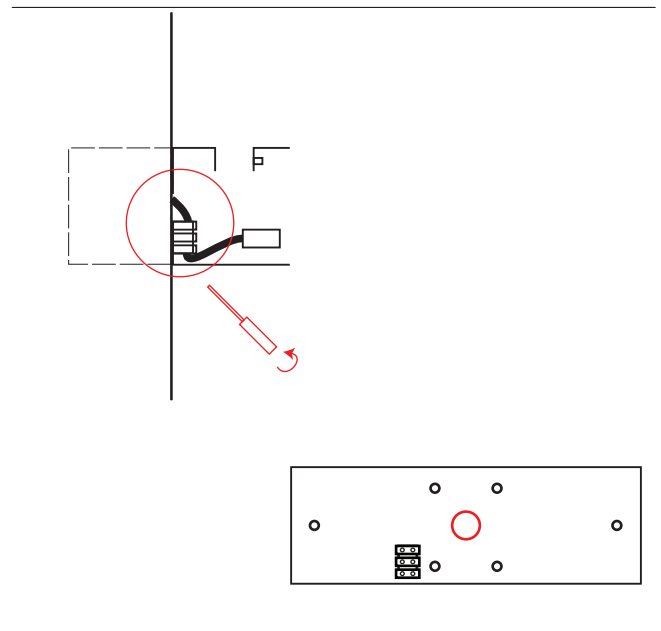
2 OF 6

BARONCELLI ⌘



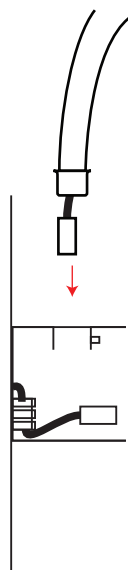
STEP 1

Pass the cabling through the large hole in wall plate. Fasten the plate to the wall / junction box (us) using screw fixings. Ensure the wall / junction box is capable of taking relevant weight.
NOTE: Screw fixings are not included.



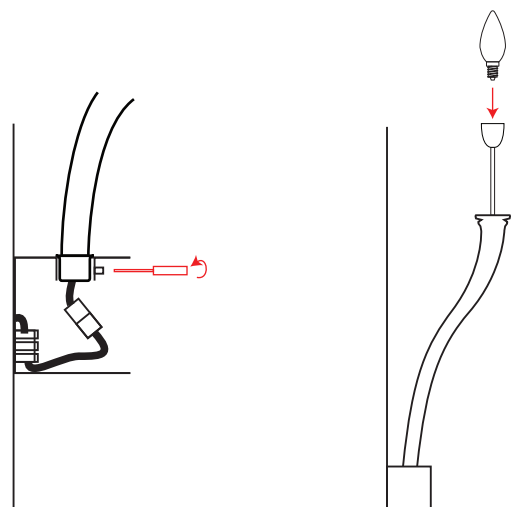
STEP 2

Make electrical connections into connector block mounted on wall plate.



STEP 3

Place the arm into the socket of the plate, ensure cabling passed through the hole.



STEP 4

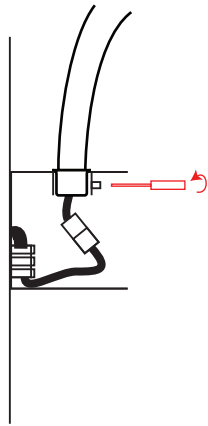
Make the electrical connections using 'click' fastenings. Insert bulbs and test.

BRAMANTE 3 LIGHTS WALL LIGHT

INSTALLATION INSTRUCTIONS

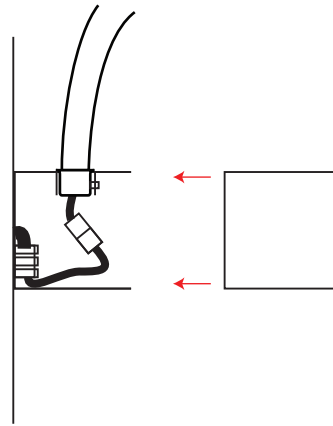
3 OF 6

BARONCELLI ⌘



STEP 5

Secure the arm in place using the grub screw on the side of the socket.



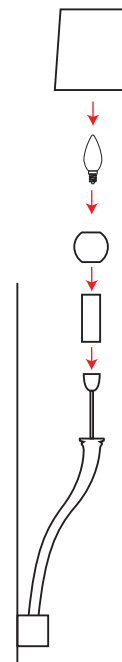
STEP 6

Slide front casing into position.



STEP 7

Fasten front casing in place using the grub screw up into the underside of the back plate.



STEP 8

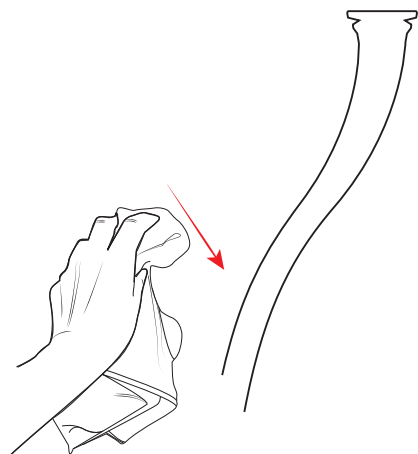
Attach candle sleeve, glass cup and bulb.

OPERATION AND MAINTENANCE

ENSURE ANY ELECTRICAL WORK IS CARRIED OUT BY A QUALIFIED ELECTRICIAN

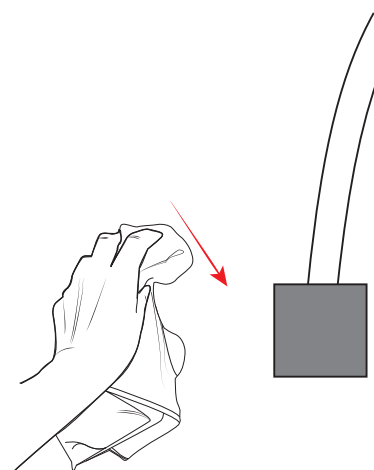
4 OF 6

BARONCELLI 



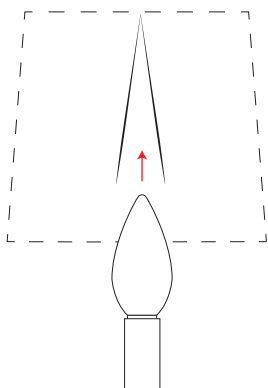
GLASS CLEANING

Glass elements should be carefully cleaned using a soft cloth.



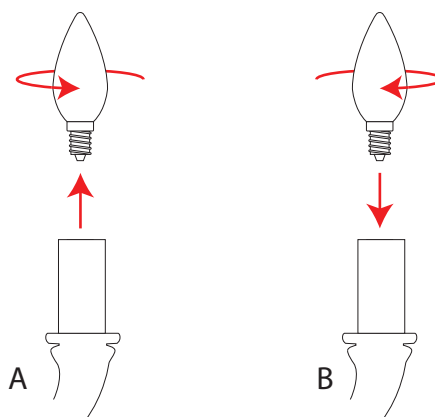
METAL CLEANING

Carefully clean metal surfaces using a soft cloth and no liquid.



REPLACING A BULB

If shade is in place, remove first, carefully lift until the clip fitting releases itself of the bulb.



REPLACING A BULB

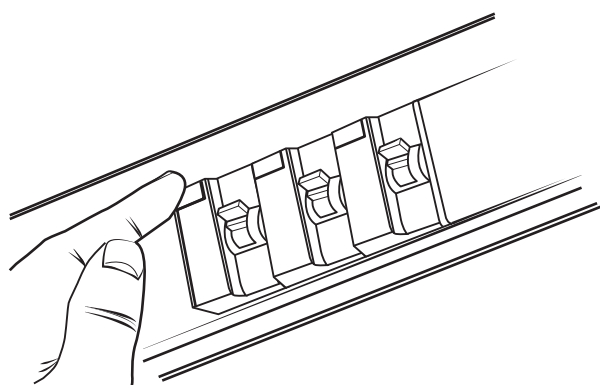
Remove glass elements if bulb is obstructed. Ensure electricals are switched off and bulb has cooled down. Remove bulb and replace.

OPERATION AND MAINTENANCE

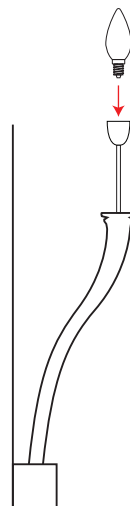
ENSURE ANY ELECTRICAL WORK IS CARRIED OUT BY A QUALIFIED ELECTRICIAN

5 OF 6

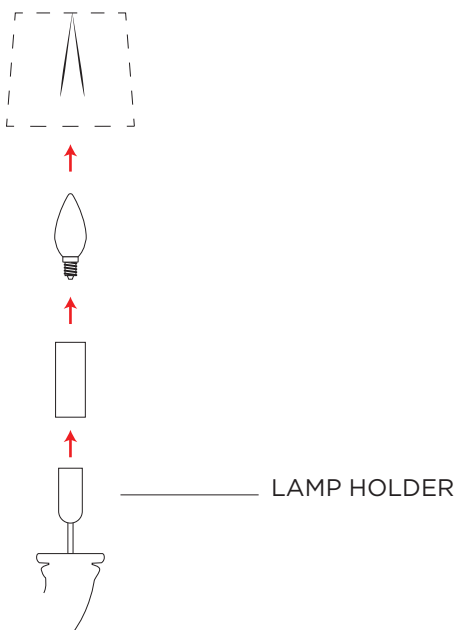
BARONCELLI ⌘



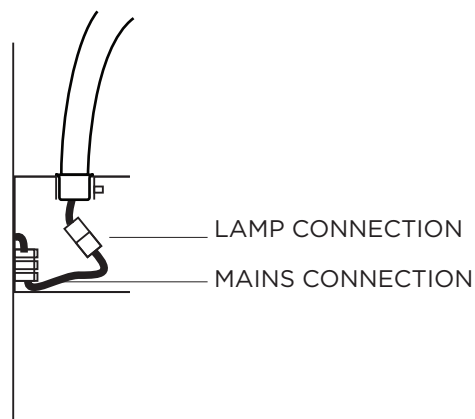
STEP A
TROUBLE SHOOTING - ELECTRICAL FAULTS
Check fusebaord



STEP B
TROUBLE SHOOTING - ELECTRICAL FAULTS
Check and replace the bulbs.



STEP C
TROUBLE SHOOTING - ELECTRICAL FAULTS
Check/test lamp holder. Retrace installation steps to access.



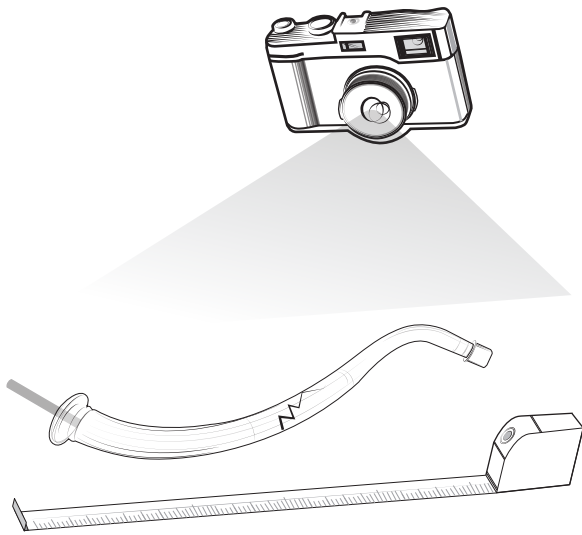
STEP D
TROUBLE SHOOTING - ELECTRICAL FAULTS
Open back plate. Check /test electrical connections between wall light and mains supply.

BREAKAGES

ENSURE ANY ELECTRICAL WORK IS CARRIED OUT BY A QUALIFIED ELECTRICIAN

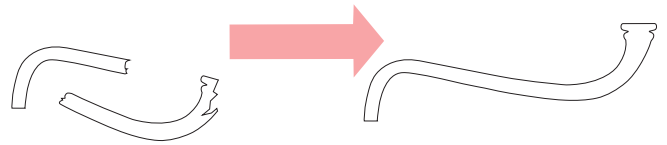
6 OF 6

BARONCELLI ⌘



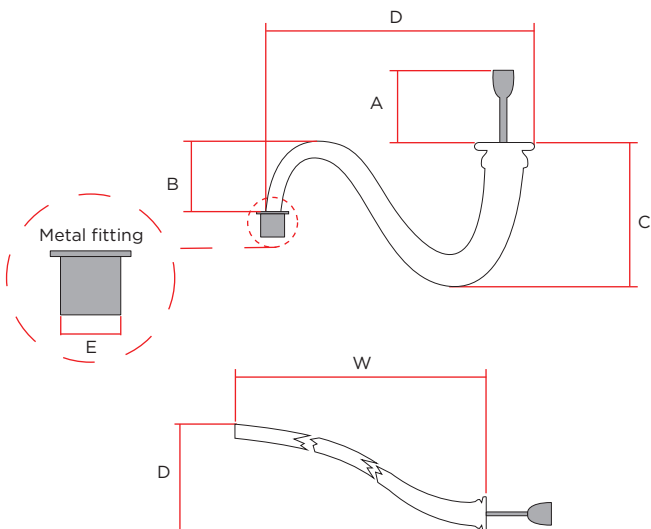
PHOTOGRAPH THE BREAKAGE

Ensure a clear side on image with a measuring tape along the breakage for scale is taken.



IDENTIFY MATCHING COMPONENT

If possible, find matching component to take measurements from. i.e an arm or a cup.



IDENTIFY MATCHING COMPONENT

Record dimensions from the matching component. If this is an arm, ensure to get the length, height, metal fitting size and height of bulb holder. If matching component not available, reassemble broken parts and give an estimation of size.