

LUCA WALL LIGHT

INSTALLATION INSTRUCTIONS

1 OF 6

BARONCELLI ⌘



WHAT IS INCLUDED

1. Wall fitting

WEIGHT

1 light 4KG (9lb)

WHAT YOU WILL NEED

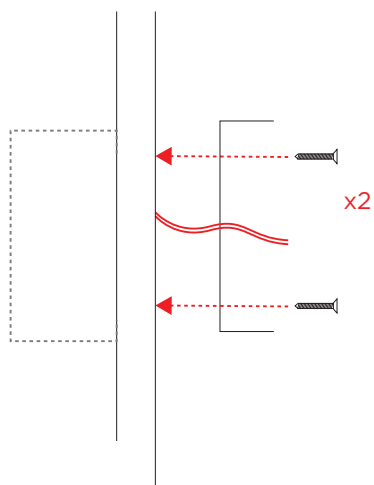
1. Screws
2. Bulbs (G9 Halogen Max 60W)
3. Screwdriver (3.5mm / 1/8" flat tip) + pliers
4. Soft cloth
5. Allen Key

LUCA WALL LIGHT

INSTALLATION INSTRUCTIONS

2 OF 6

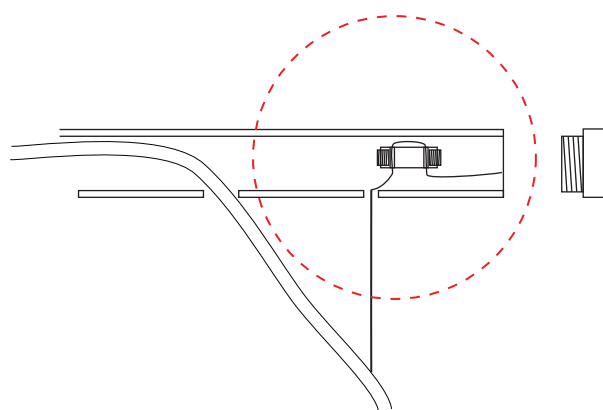
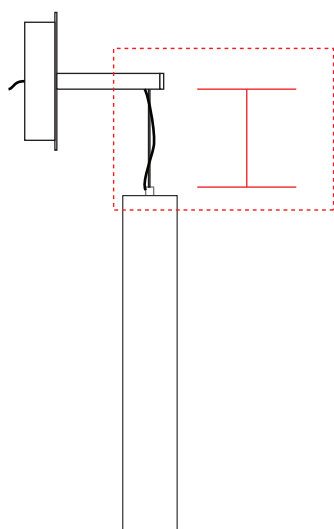
BARONCELLI ⌘



STEP 1

Secure wall fitting to wall / junction box (US). Wall fitting must be capable of taking a relevant load.

NOTE: SCREW FIXINGS ARE NOT SUPPLIED



STEP 2

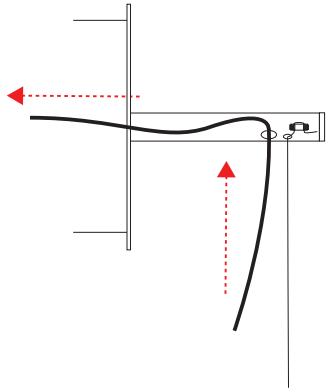
Determine desired drop, adjust suspension using the screw block to fasten. Unscrew the front cap & pass the cable out of the exit hole. Pass cable through screw block as shown, trim cable leaving 20mm excess. Post back into stem ensuring excess cable enters stem last.

LUCA WALL LIGHT

INSTALLATION INSTRUCTIONS

3 OF 6

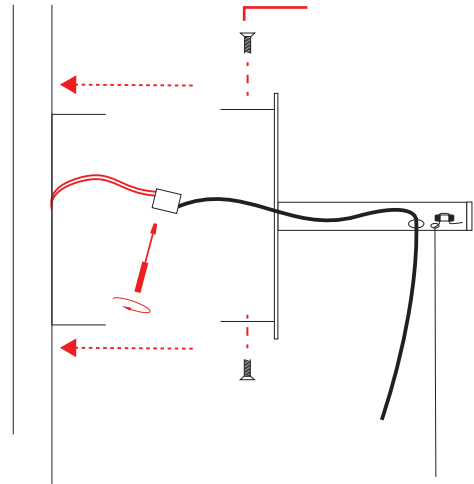
BARONCELLI 



STEP 3

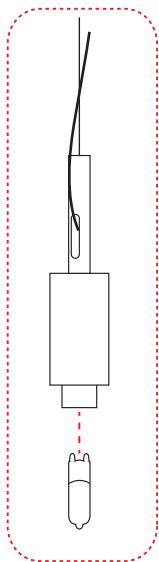
Feed electrical flex through stem feed hole.

NOTE: Use Orings provided when longer drop was required.



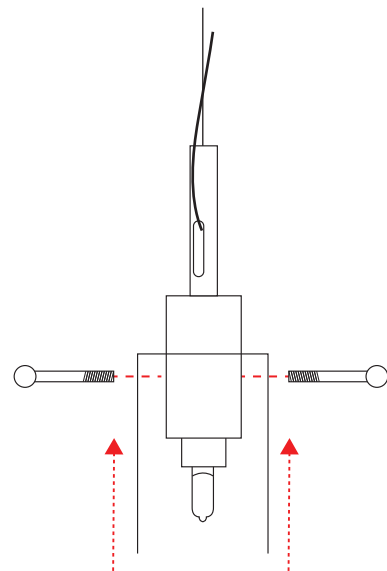
STEP 4

Make electrical connection & secure frame using side screws.



STEP 5

Insert bulb and test.



STEP 6

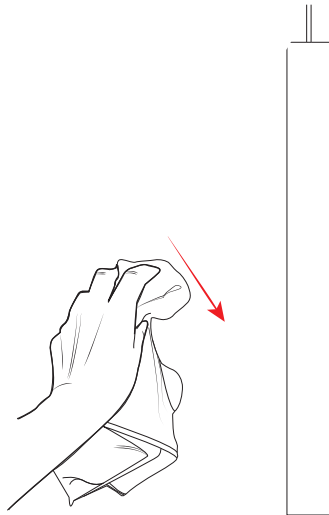
Screw the two side screws through the glass and into the bulb housing to secure the glass tube in place.

OPERATION AND MAINTENANCE

ENSURE ANY ELECTRICAL WORK IS CARRIED OUT BY A QUALIFIED ELECTRICIAN

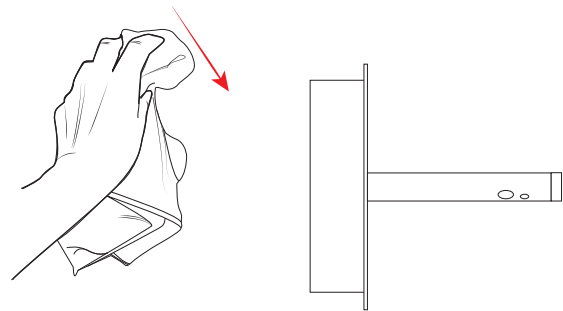
4 OF 6

BARONCELLI 



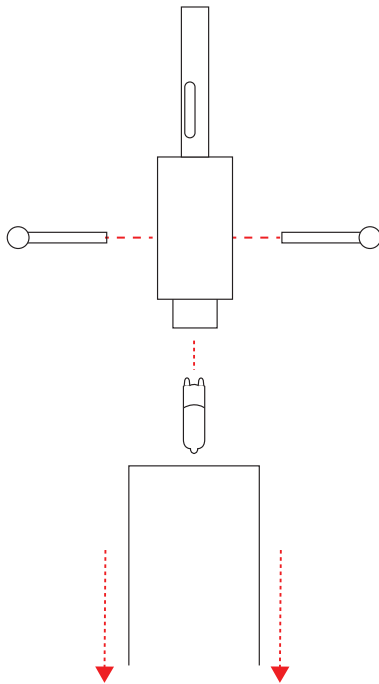
GLASS CLEANING

Glass elements should be carefully cleaned using a soft cloth.



METAL CLEANING

Carefully clean metal surfaces using a soft cloth and no liquid.



REPLACING A BULB

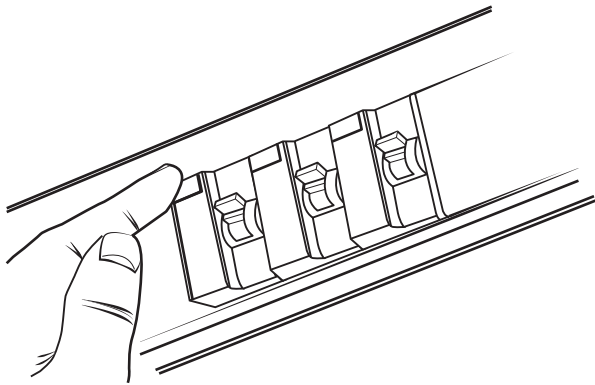
Remove glass element first, unscrew bulb and remove.

OPERATION AND MAINTENANCE

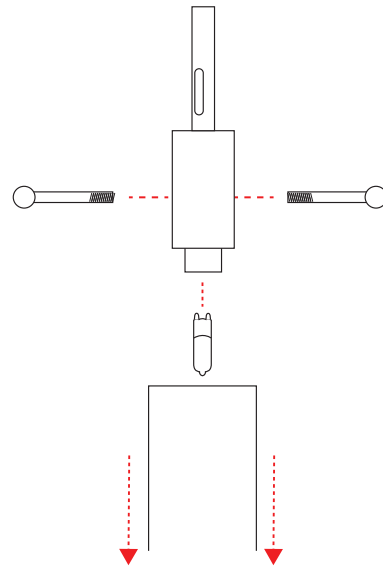
ENSURE ANY ELECTRICAL WORK IS CARRIED OUT BY A QUALIFIED ELECTRICIAN

5 OF 6

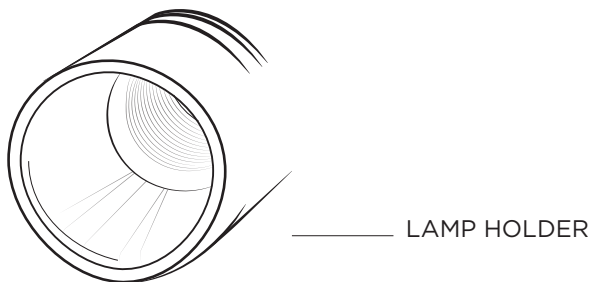
BARONCELLI 



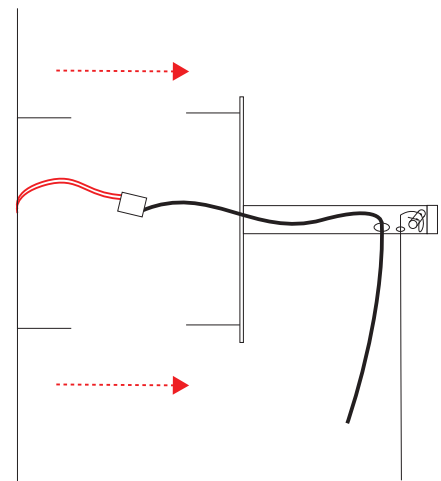
STEP A
TROUBLE SHOOTING - ELECTRICAL FAULTS
Check fuseboard



STEP B
TROUBLE SHOOTING - ELECTRICAL FAULTS
Check and replace the bulbs. Retrace installation steps to access.



STEP C
TROUBLE SHOOTING - ELECTRICAL FAULTS
Check/test lamp holder. Retrace installation steps to access.



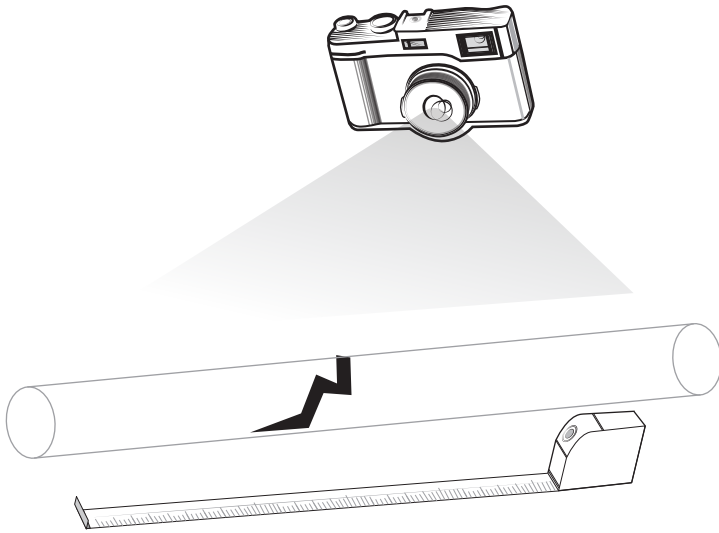
STEP D
TROUBLE SHOOTING - ELECTRICAL FAULTS
Open back plate. Check /test electrical connections between wall light and mains supply.

BREAKAGES

ENSURE ANY ELECTRICAL WORK IS CARRIED OUT BY A QUALIFIED ELECTRICIAN

6 OF 6

BARONCELLI ⌘



PHOTOGRAPH THE BREAKAGE

Ensure a clear side on image with a measuring tape along the breakage for scale is taken.
