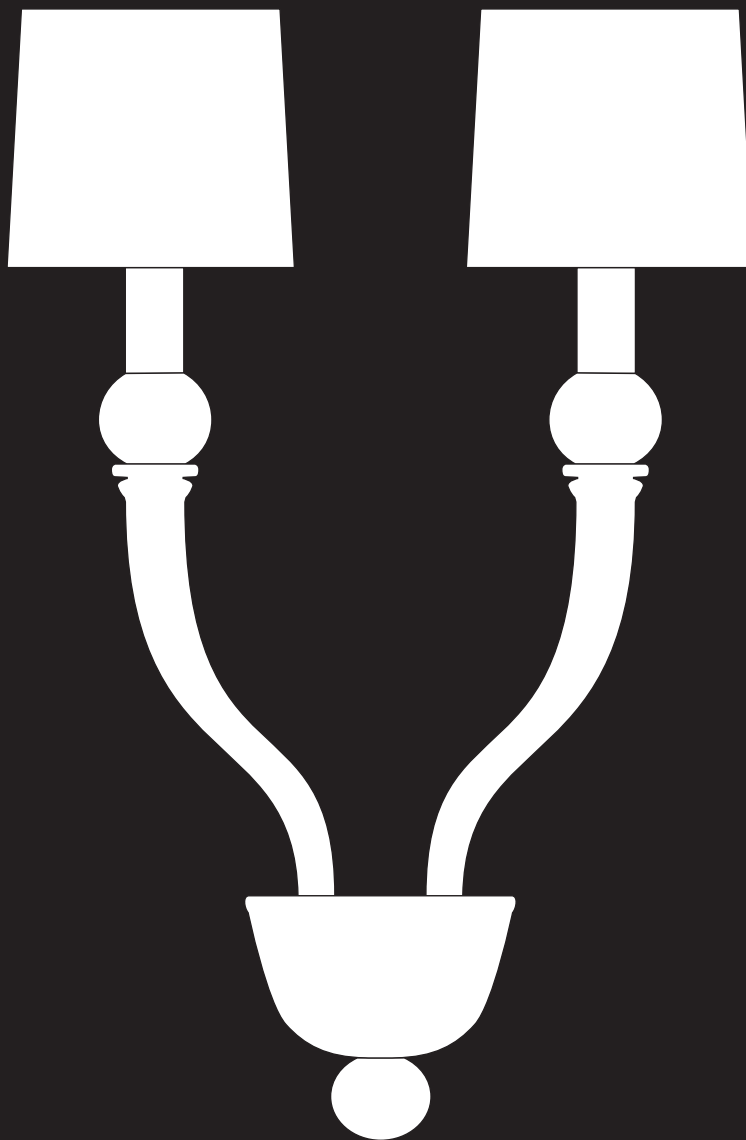


MATTEO WALL LIGHT

INSTALLATION INSTRUCTIONS

1 OF 4

BARONCELLI ⌘



WHAT IS INCLUDED

1. Wall fitting
2. Spares

WEIGHTS

2 LIGHTS 4kg (9LB)

WHAT YOU WILL NEED

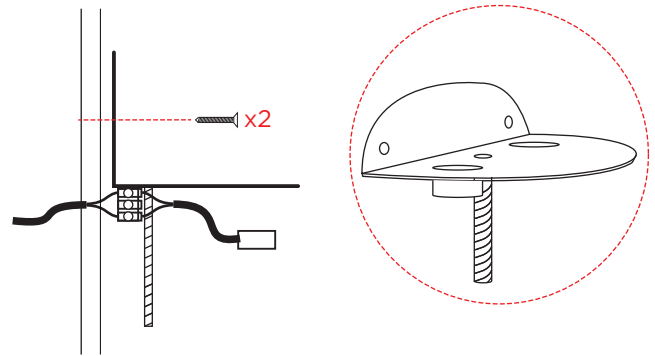
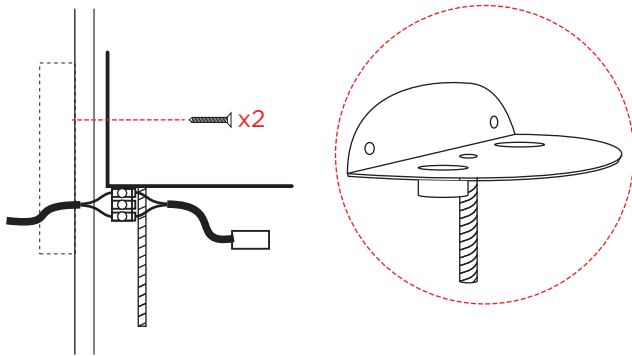
1. Screws
2. Bulbs - E14 (240v) / E12 (120v) - Max 40W
3. Screwdriver (3.5mm / 1/8" flat tip) + pliers
4. Soft cloth

MATTEO WALL LIGHT

INSTALLATION INSTRUCTIONS

2 OF 4

BARONCELLI ⌘



STEP 1 (U.S)

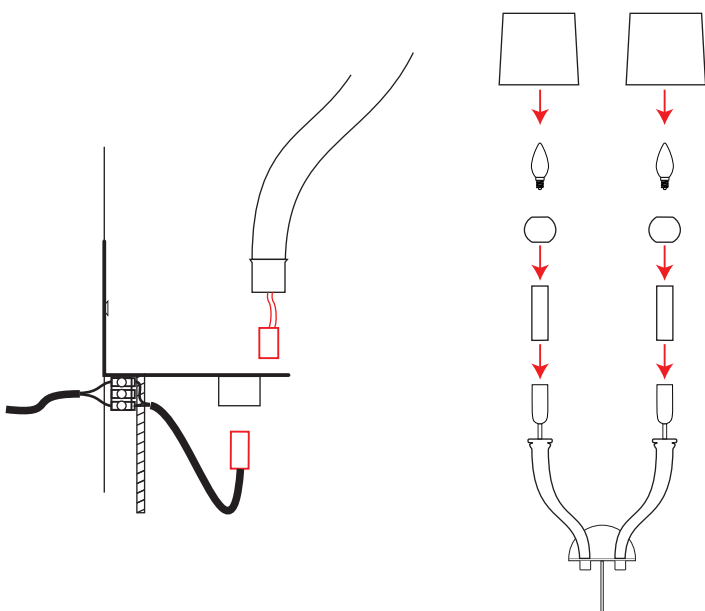
Mount the wall fitting to the junction box. Ensure junction box is capable of taking the relevant weight. Please refer to the front cover sheet for weights.

NOTE: SCREW FIXINGS ARE NOT SUPPLIED

STEP 1

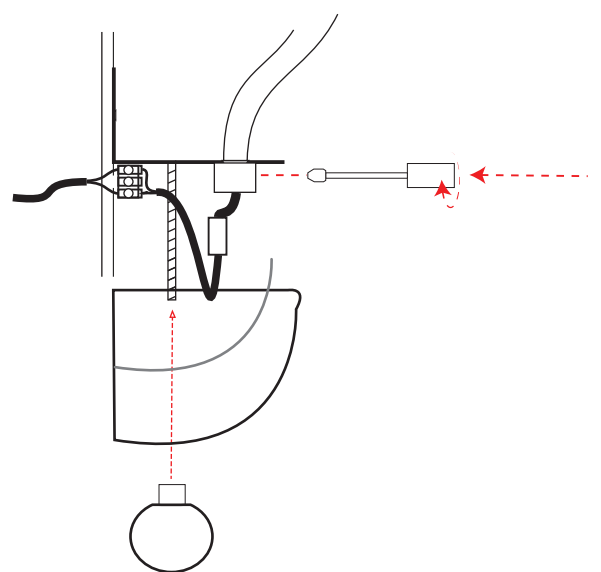
Mount the wall fitting into a suitably secure surface. Please refer to the front cover sheet for weights.

NOTE: SCREW FIXINGS ARE NOT SUPPLIED



STEP 2

Attach candle sleeves, balls, shades and bulbs. Make electrical connection and test light bulbs,



STEP 3

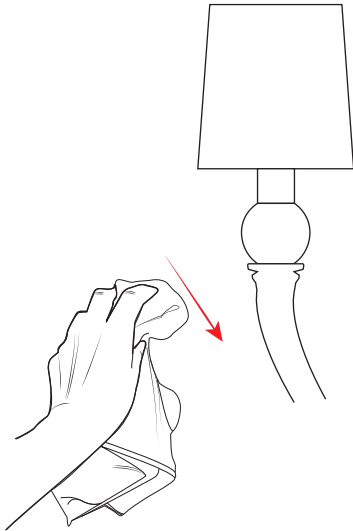
Secure arms with side screw. Raise fondino and metal liner. Secure in place using finial.

ENSURE ANY ELECTRICAL WORK IS CARRIED OUT BY A QUALIFIED ELECTRICIAN

OPERATION AND MAINTENANCE

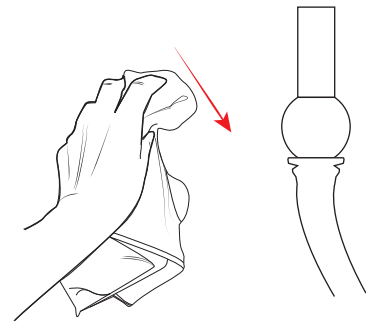
3 OF 4

BARONCELLI 



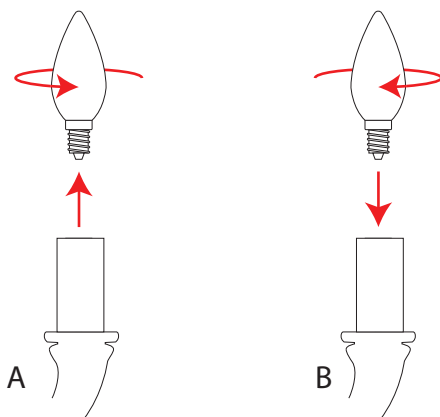
GLASS CLEANING

Glass elements should be carefully cleaned using a soft cloth.



METAL CLEANING

Carefully clean metal surfaces using a soft cloth and no liquid.



REPLACING A BULB

Remove glass elements if bulb is obstructed. Ensure electricals are switched off and bulb has cooled down. Remove bulb and replace.

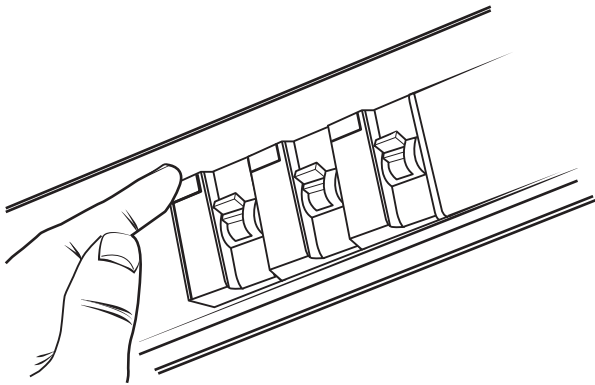
Bulbs - E14 (240v) / E12 (120v) - Max 40W

ENSURE ANY ELECTRICAL WORK IS CARRIED OUT BY A QUALIFIED ELECTRICIAN

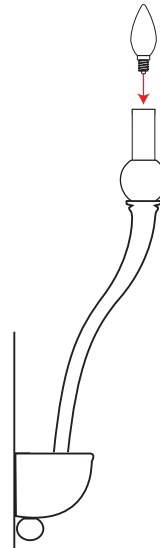
OPERATION AND MAINTENANCE

4 OF 4

BARONCELLI ⌘

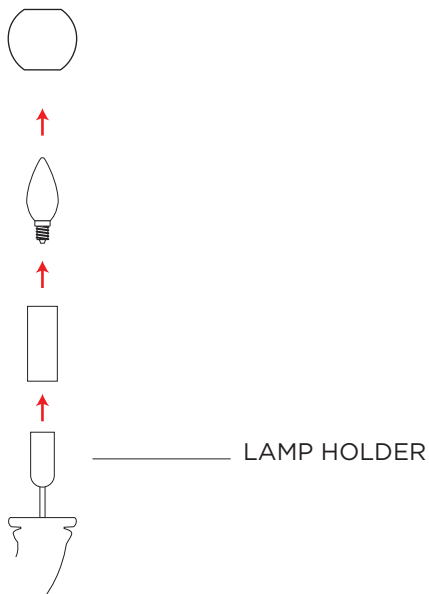


STEP A
TROUBLE SHOOTING - ELECTRICAL FAULTS
Check fuseboard

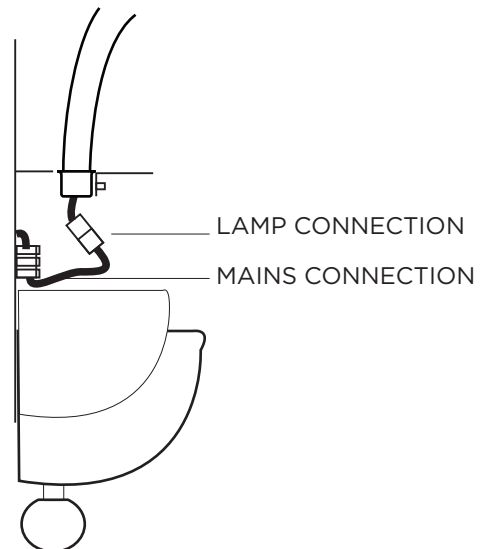


STEP B
TROUBLE SHOOTING - ELECTRICAL FAULTS
Check and replace the bulbs.

Bulbs - E14 (240v) / E12 (120v) - Max 40W



STEP C
TROUBLE SHOOTING - ELECTRICAL FAULTS
Check/test lamp holder. Retrace installation steps to access.



STEP D
TROUBLE SHOOTING - ELECTRICAL FAULTS
Remove fondino glass and metal. Check /test electrical connections between wall light and mains supply.