

ORION WALL LIGHT INSTALLATION INSTRUCTIONS 1 OF 6

BARONCELLI ⌘



WHAT IS INCLUDED

1. Wall light fitting
2. Assembled pendant
3. Transformer

WHAT YOU WILL NEED

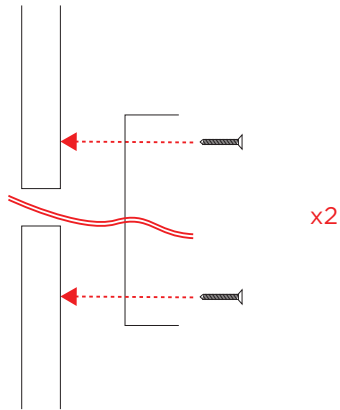
1. Screws
2. Screwdriver (3.5mm / 1/8" flat tip) + pliers
3. Soft cloth

WEIGHT

1.5 kg (3.3lb)

ORION WALL LIGHT INSTALLATION INSTRUCTIONS 2 OF 6

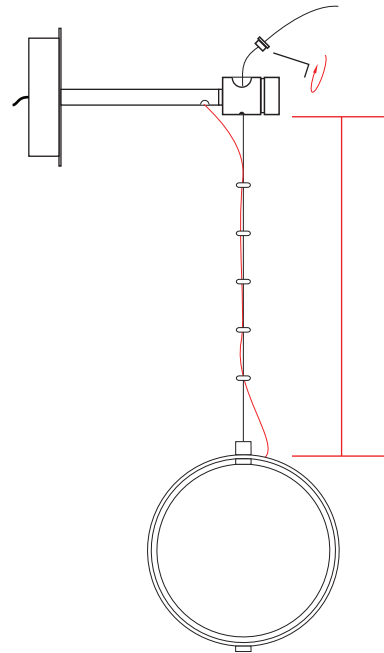
BARONCELLI ⌘



STEP 1

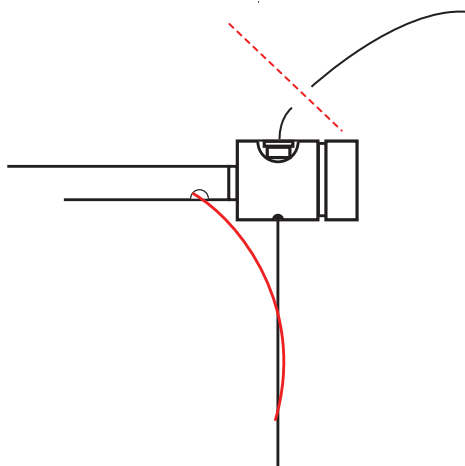
Secure wall fitting to wall / junction box. Wall fitting must be capable of taking a relevant load.

NOTE: SCREW FIXINGS ARE NOT SUPPLIED



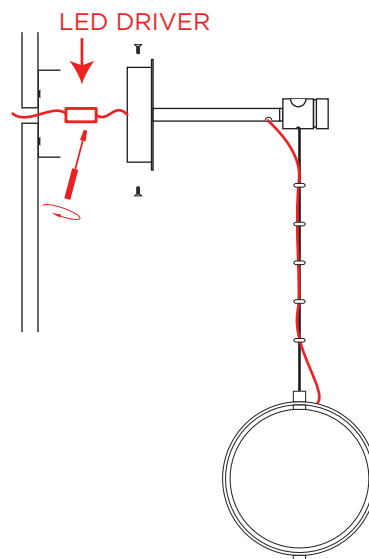
STEP 2

Determine desired drop, pass the suspension cable through the suspension cap and secure using the screw block.



STEP 3

Feed electrical flex through stem feed hole. Cut the excess cable.



NOTE: This step needs 2 person.

STEP 4

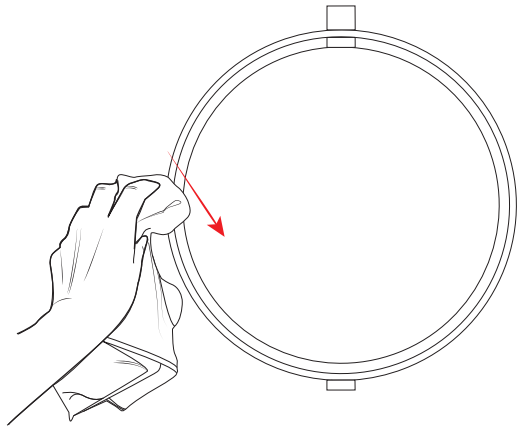
Raise the wall light to the position. Make electrical connection & secure the frame using side screws.

OPERATION AND MAINTENANCE

ENSURE ANY ELECTRICAL WORK IS CARRIED OUT BY A QUALIFIED ELECTRICIAN

5 OF 6

BARONCELLI ⌘



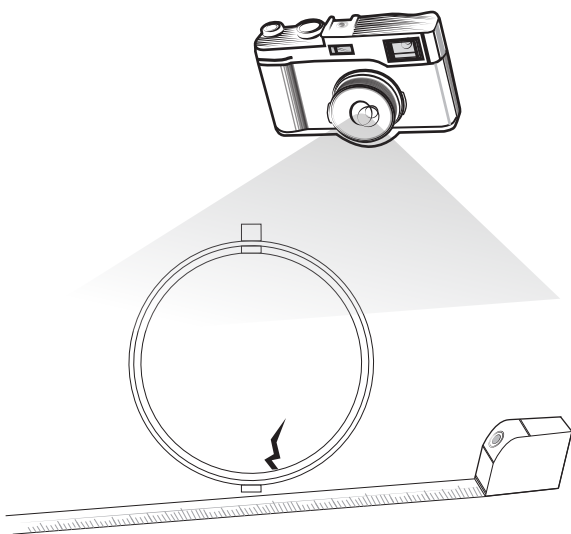
GLASS CLEANING

Glass elements should be carefully cleaned using a soft cloth and no liquid.



METAL CLEANING

Carefully clean metal surfaces using a soft cloth and no liquid.



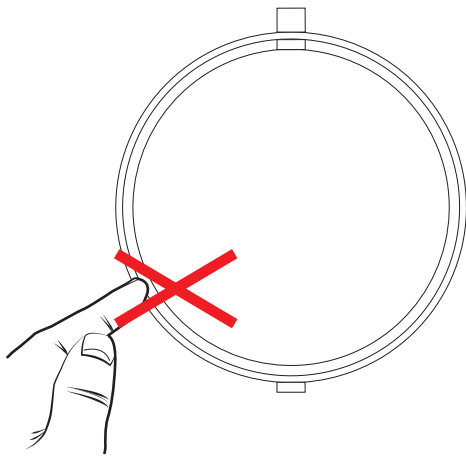
PHOTOGRAPH THE BREAKAGE

Ensure a clear side on image with a measuring tape along the breakage for scale is taken.

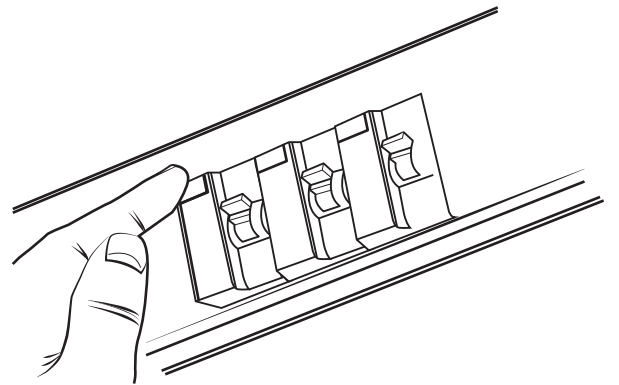
OPERATION AND MAINTENANCE

ENSURE ANY ELECTRICAL WORK IS CARRIED OUT BY A QUALIFIED ELECTRICIAN

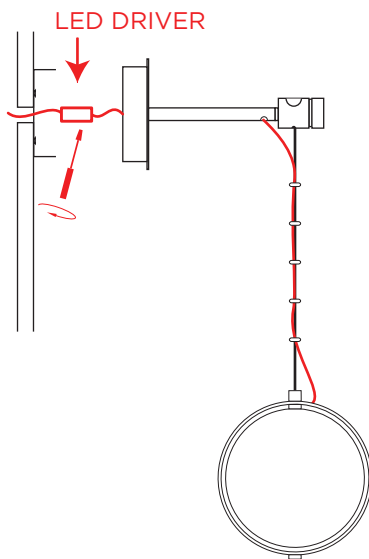
6 OF 6



DO NOT TOUCH LEDS



STEP A
TROUBLE SHOOTING - ELECTRICAL FAULTS
Check fusebaord



STEP B
TROUBLE SHOOTING - ELECTRICAL FAULTS
Retrace installation steps to access transformer within wall light cover.