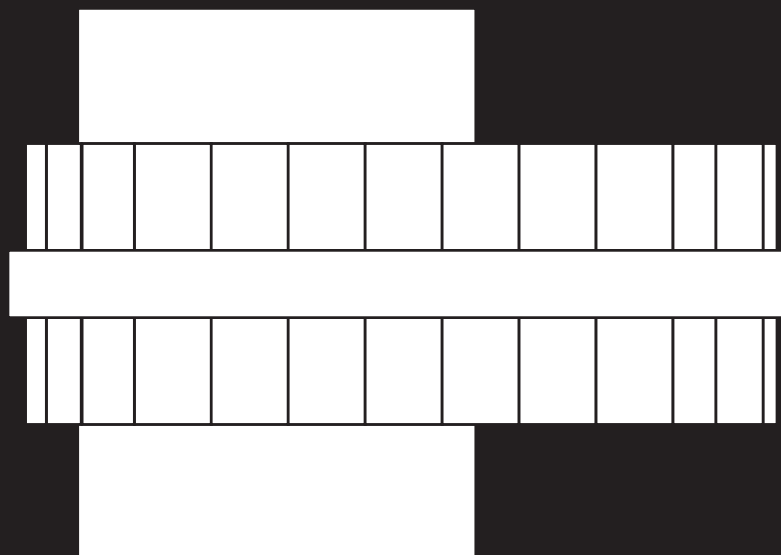


SATURNO LED WALL LIGHT

INSTALLATION INSTRUCTIONS

1 OF 5

BARONCELLI ®



WHAT IS INCLUDED

1. Wall fitting
2. Glass trihedrons

WEIGHT

4kg (7LB)

WHAT YOU WILL NEED

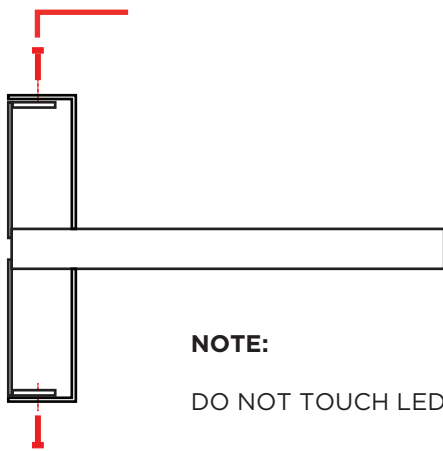
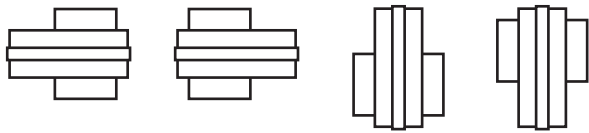
1. Screws
2. Screwdriver (3.5mm / 1/8" flat tip)
3. Soft cloth
4. Allen Keys

SATURNO LED WALL LIGHT

INSTALLATION INSTRUCTIONS

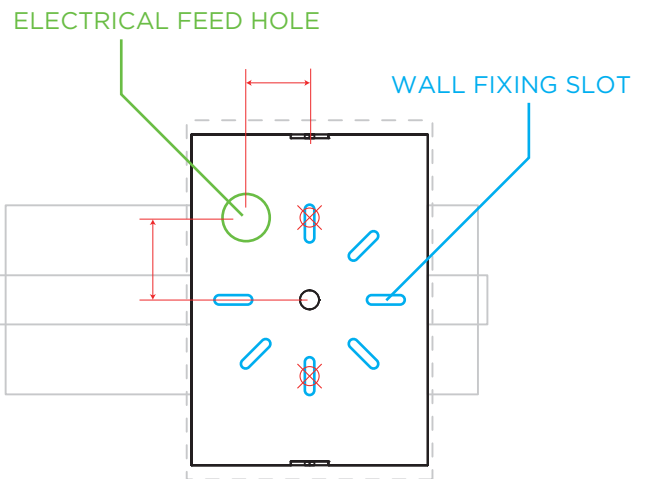
2 OF 5

BARONCELLI 



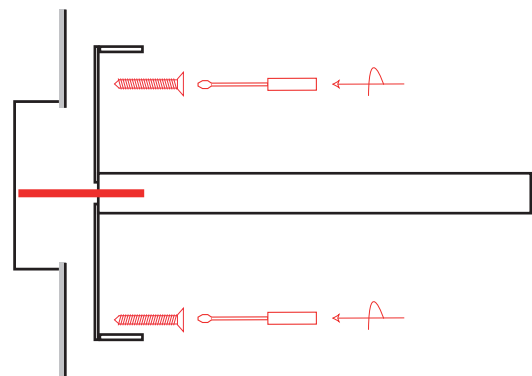
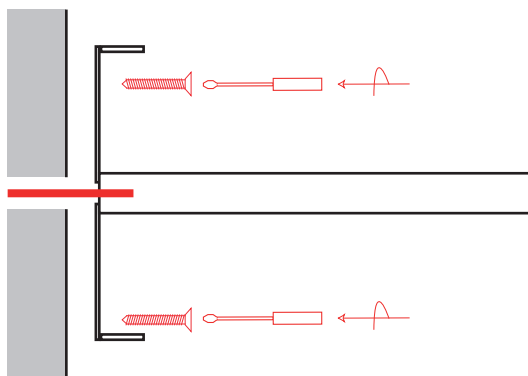
NOTE:
DO NOT TOUCH LED.

STEP 1
Remove the case cover from the frame. Fitting can be used in any of the 4 orientations indicated.



 EXAMPLE FIXING POINTS

Ensure cable feed is in the correct location for the final position of the fitting. See 1:1 scale drawing (P.5) for dimensioned wall plate detail.



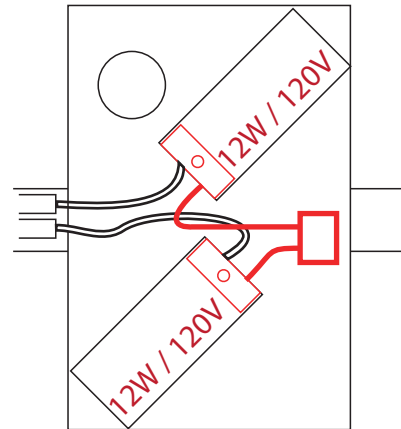
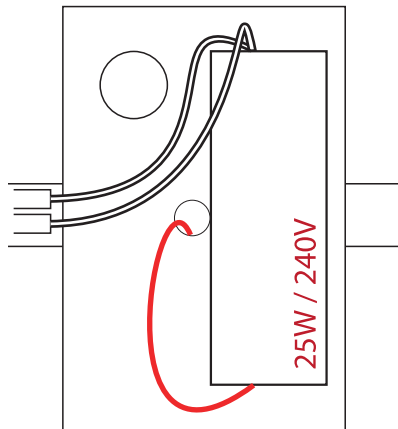
STEP 2
Fix wall plate to wall surface using a minimum 2 fixings in any of the fixing slots provided. Pass cable through feed hole for the electrical connection. Fixings should be suitable to hold the required weight.
NOTE: SCREWS ARE NOT SUPPLIED

STEP 2 (US)
Fix wall plate to junction box, fixing should be suitable to hold the required weight. Pass cable through central hole for the electrical connection.
NOTE: SCREWS ARE NOT SUPPLIED

SATURNO LED WALL LIGHT

INSTALLATION INSTRUCTIONS

3 OF 5



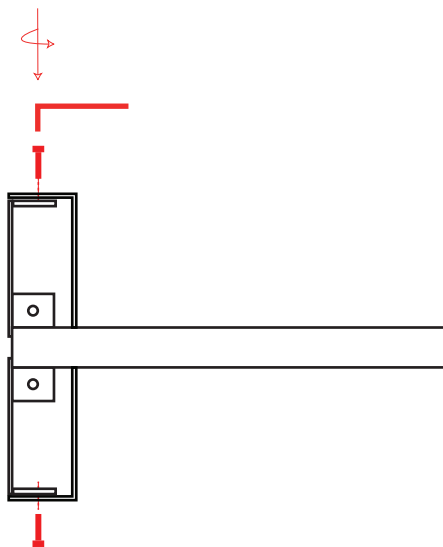
ENSURE ANY ELECTRICAL WORK IS CARRIED OUT BY A QUALIFIED ELECTRICIAN

STEP 3 (240V)

Make electrical connection into transformer and test.

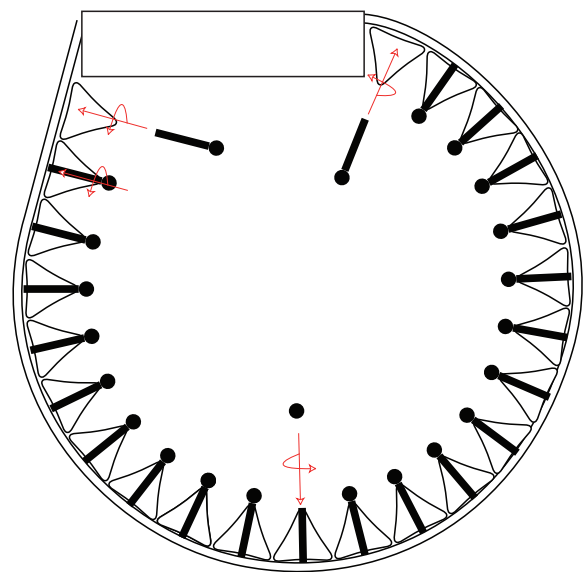
STEP 3 (US / 120V)

Make electrical connection into transformer and test.



STEP 6

Replace the cover.



STEP 7

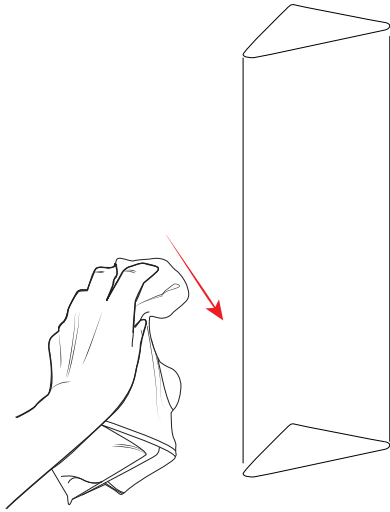
Attach glasses to the frame.

ENSURE ANY ELECTRICAL WORK IS CARRIED OUT BY A QUALIFIED ELECTRICIAN

OPERATION AND MAINTENANCE

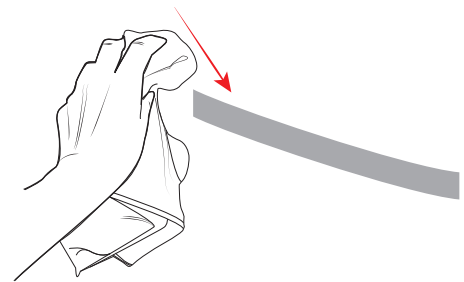
4 OF 5

BARONCELLI ⌘



GLASS CLEANING

Glass elements should be carefully cleaned using a soft cloth.



METAL CLEANING

Carefully clean metal surfaces using a soft cloth and no liquid.

SATURNO LED WALL LIGHT

BACKPLATE

5 OF 5

1:1 @ A4

