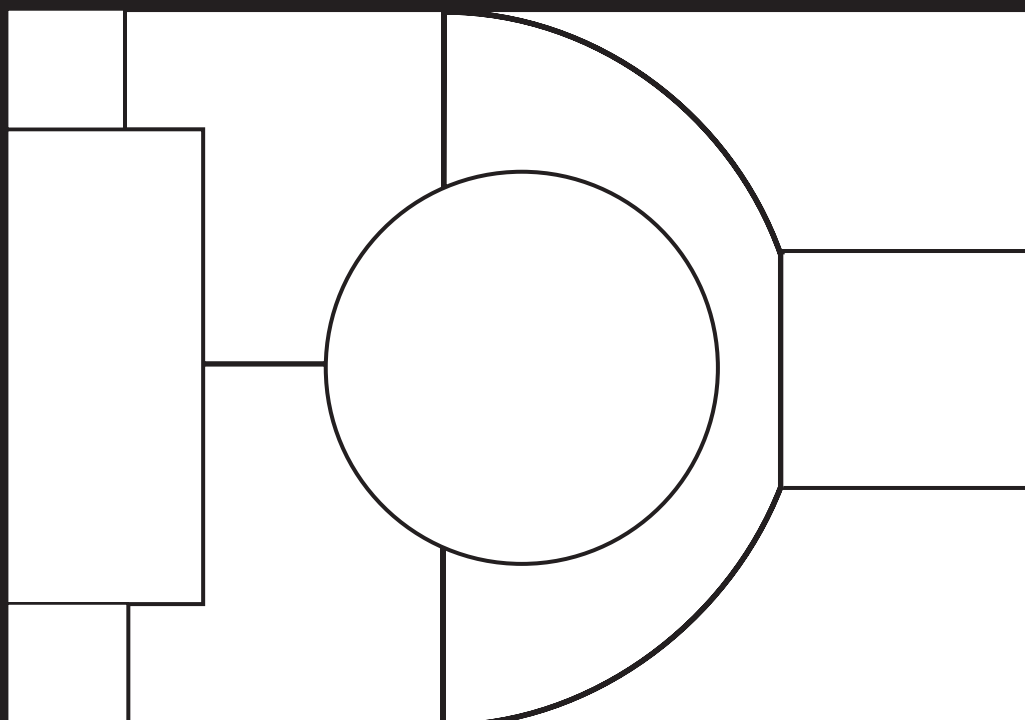


# LAPIS SPECULO

## INSTALLATION INSTRUCTIONS

### 1 OF 3

BARONCELLI ®



#### WHAT YOU WILL NEED

1. Wall fixings
2. Small flat head screw driver
3. Soft cloth

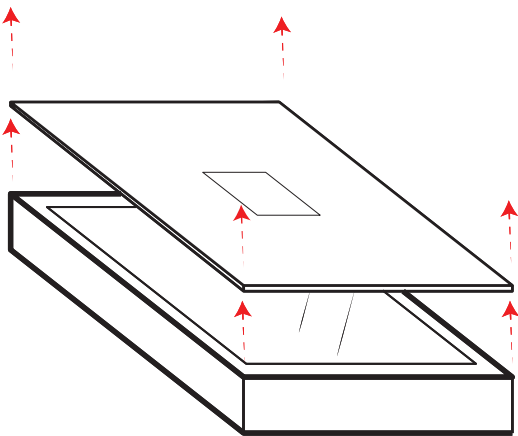
Weights: 16KG (35lb)

# LAPIS SPECULO

## INSTALLATION INSTRUCTIONS

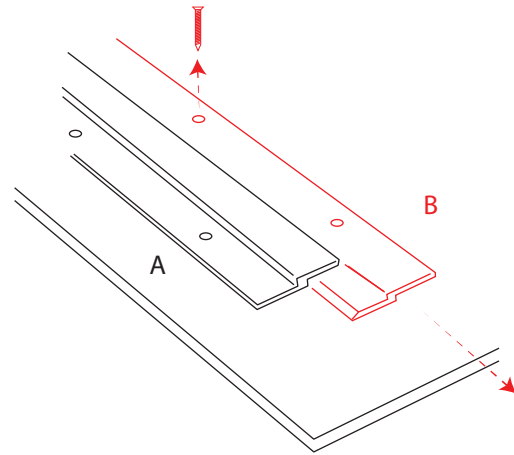
### 2 OF 3

BARONCELLI 



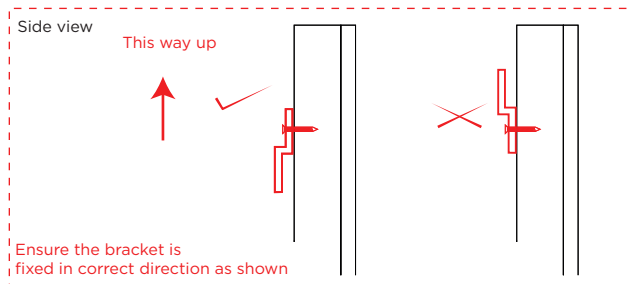
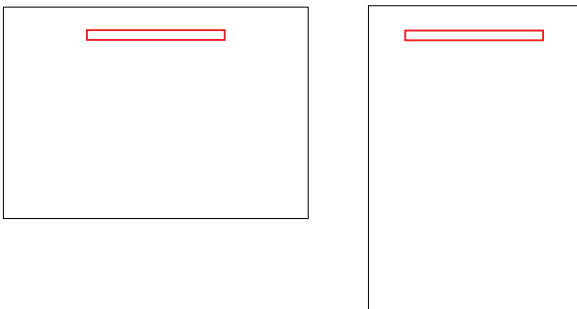
#### STEP 1

Open crate where marked 'Open here'.



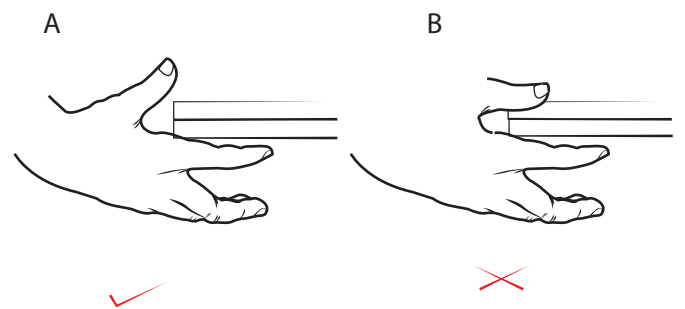
#### STEP 2

There are 2 x bracket attached onto the back of mirror. Bracket A (fixed facing external to the mirror) determines the orientation and Bracket B fixes to the wall. Unscrew and remove Bracket B from the mirror.



#### STEP 3

Determine the mirror orientation using Bracket A. Ensure the bracket is securely fixed on to the mirror in correct orientation as shown in the diagram.



Avoid touching details

#### STEP 4

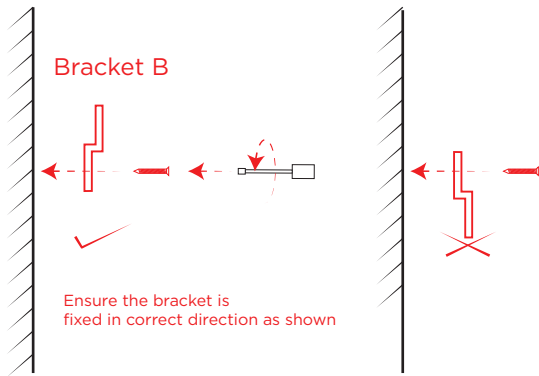
When lifting the mirror from the crate, avoid any pressure on details.

# LAPIS SPECULO

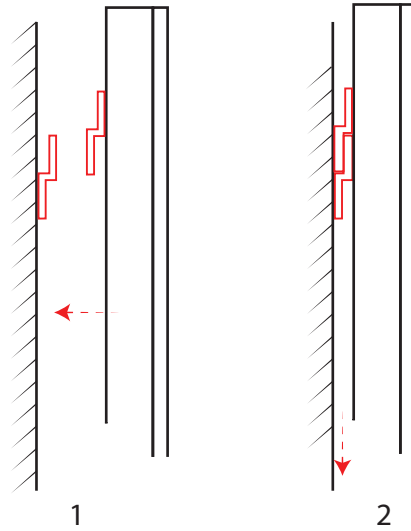
## INSTALLATION INSTRUCTIONS

### 3 OF 3

BARONCELLI 



NOTE: SCREW IS NOT INCLUDED



#### STEP 5

Secure Bracket B where required into wall surface. Ensure wall is prepared to take the weight of the mirror. Screw is not included.

#### STEP 6

Raise the mirror and slide over the bracket.