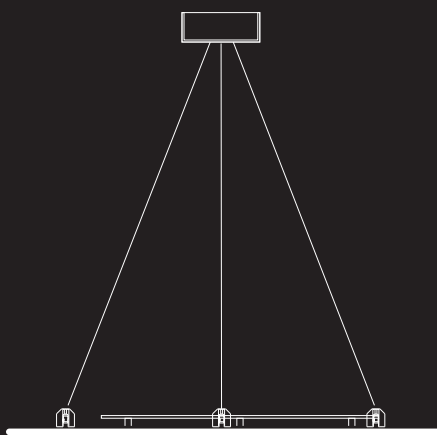
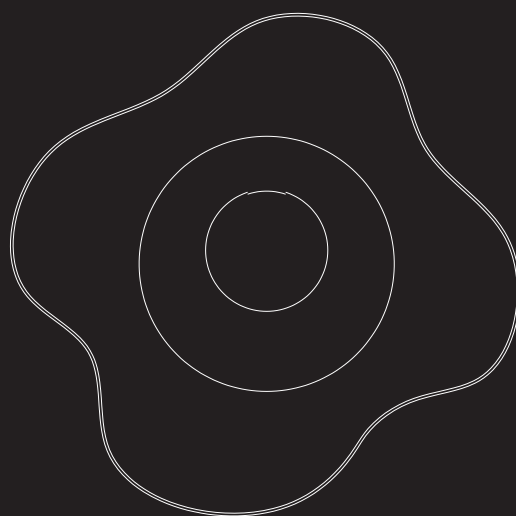


HALOS PENDANT INSTALLATION INSTRUCTIONS 1 OF 5

BARONCELLI ⌘



WHAT IS INCLUDED

1. Ceiling canopy
2. Suspension cables
3. LED drivers

WHAT YOU WILL NEED

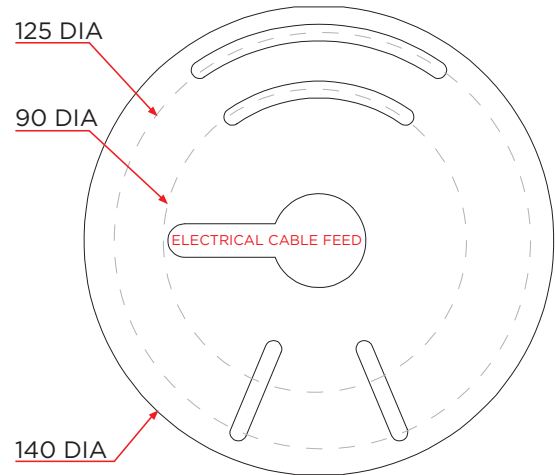
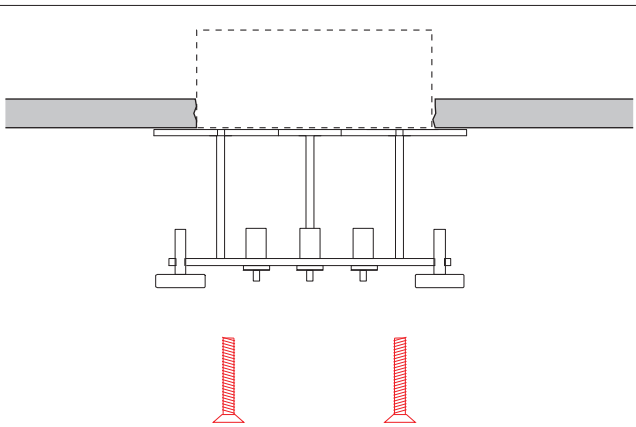
1. Junction box fixings
2. Screwdriver (3.5mm / 1/8" flat tip) + pliers
3. Soft cloth
4. Hex Key

1 Lights

WEIGHT
25kg (56lb)

HALOS PENDANT INSTALLATION INSTRUCTIONS 2 OF 5

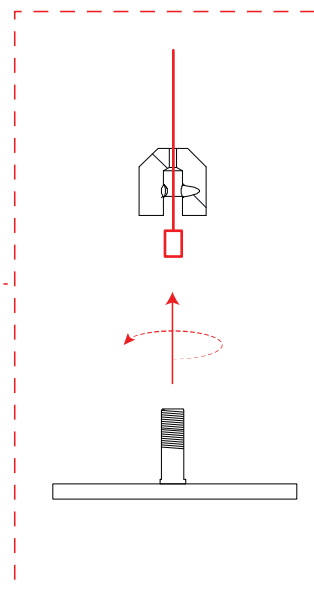
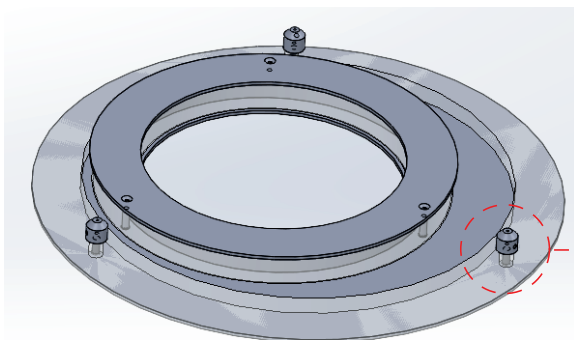
BARONCELLI 



STEP 1

Securely fix the ceiling plate into a ceiling beam/joist (or Junction box for US) using a minimum of 2 fixings. Ensure the fixings are capable of taking the relevant weight.

NOTE: SCREW FIXINGS ARE NOT SUPPLIED

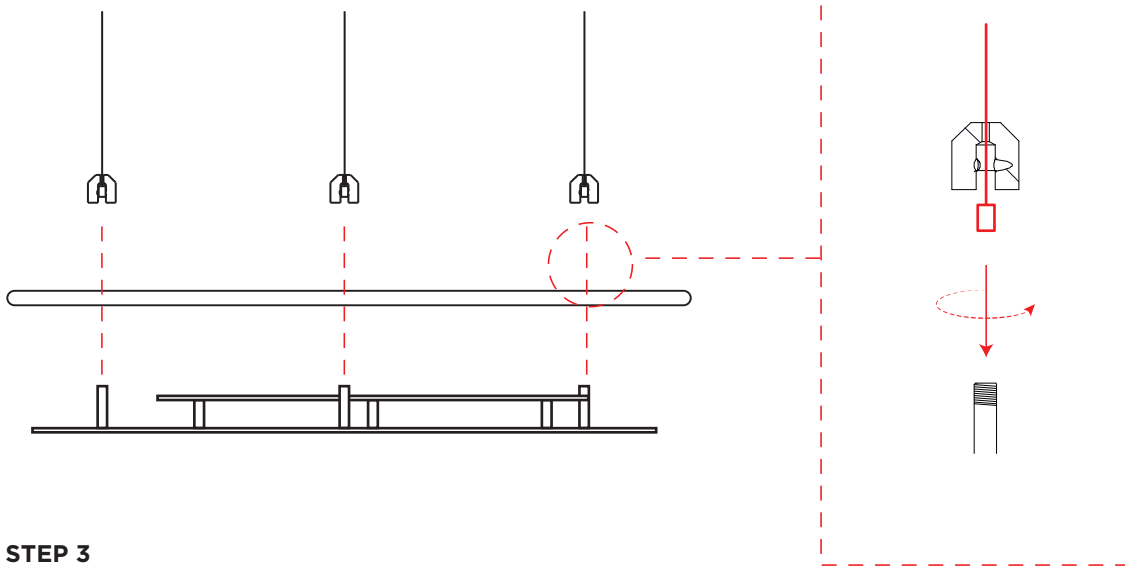


STEP 2

Remove suspension cap from the frame and pass suspension cables.

HALOS PENDANT INSTALLATION INSTRUCTIONS 3 OF 5

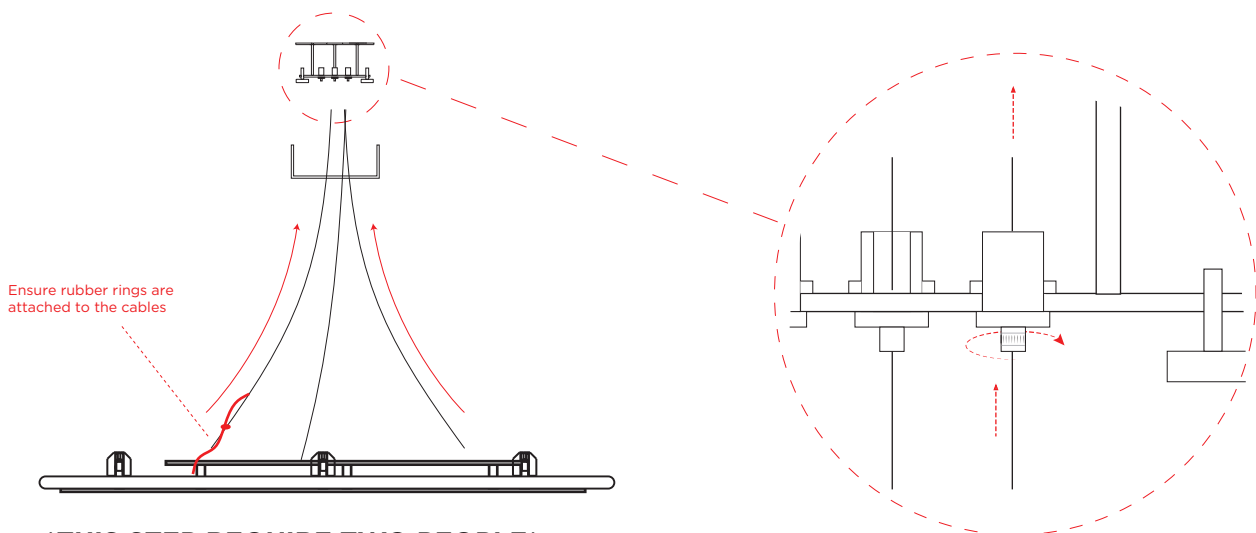
BARONCELLI 



STEP 3

Mount the glass onto the frame.
Screw back the suspension cap.

NOTE: Ensure smooth side is facing bottom.



THIS STEP REQUIRE TWO PEOPLE

STEP 4

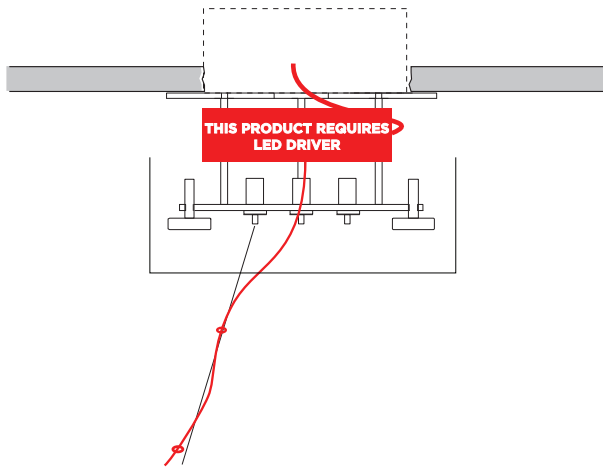
Pass suspension cables up through the ceiling canopy and into the gripper units. Tighten screw caps to lock grippers.

GRIPPER AND SAFETY CAP

Each gripper will have a safety cap which needs to be unscrewed a little in order to allow the cable. To shorten a cable simply feed the cable back up into the gripper. To lengthen a cable push the loosened cap upwards and the gripper will disengage allowing the cable to pass through it.

HALOS PENDANT INSTALLATION INSTRUCTIONS 4 OF 5

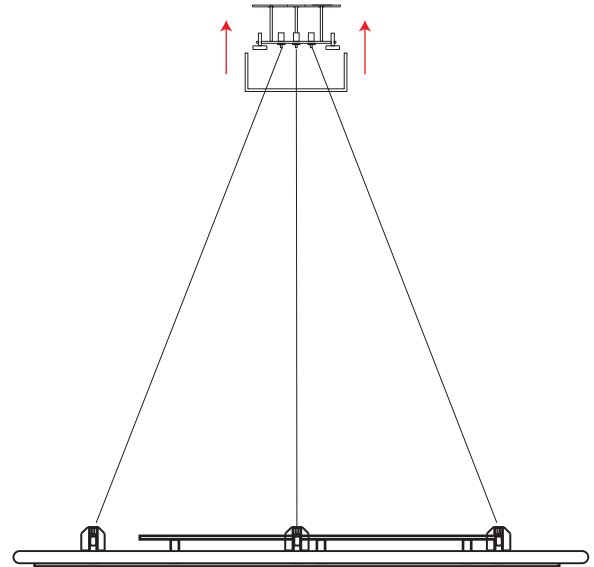
BARONCELLI 



ENSURE ANY ELECTRICAL WORK IS CARRIED OUT BY A QUALIFIED ELECTRICIAN

STEP 6

Pass electrical cable up along suspension cable through rubber rings, make electrical connection to LED driver and securing driver in place.



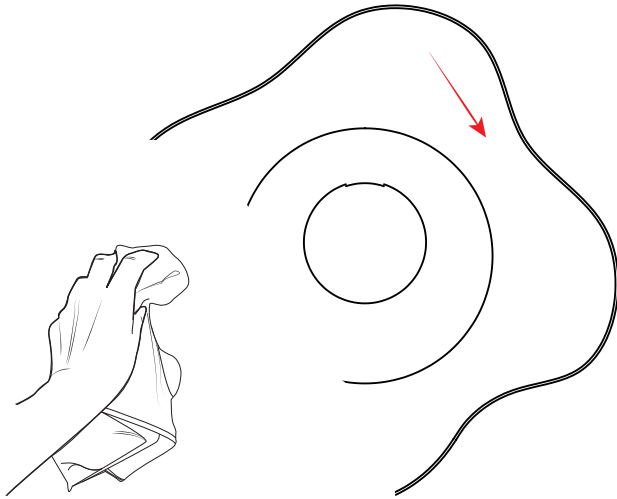
STEP 7

Test the electrical connections and Raise canopy to cover.

OPERATION AND MAINTENANCE

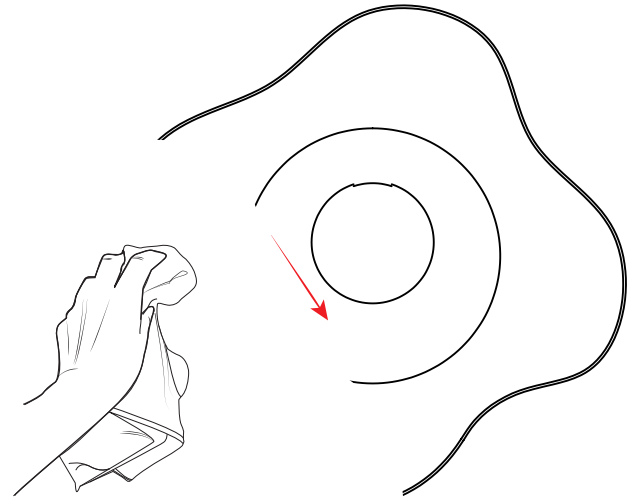
5 OF 5

BARONCELLI ⌘



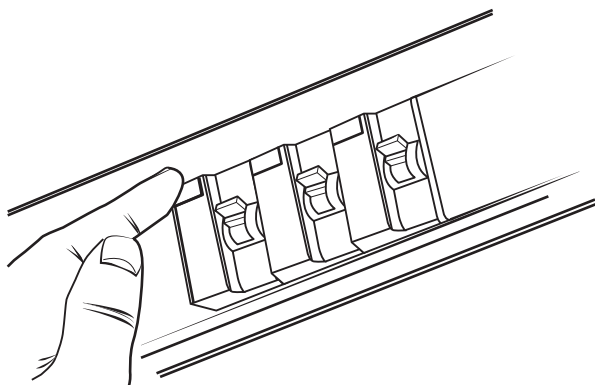
GLASS CLEANING

Glass elements should be carefully cleaned using a soft cloth.

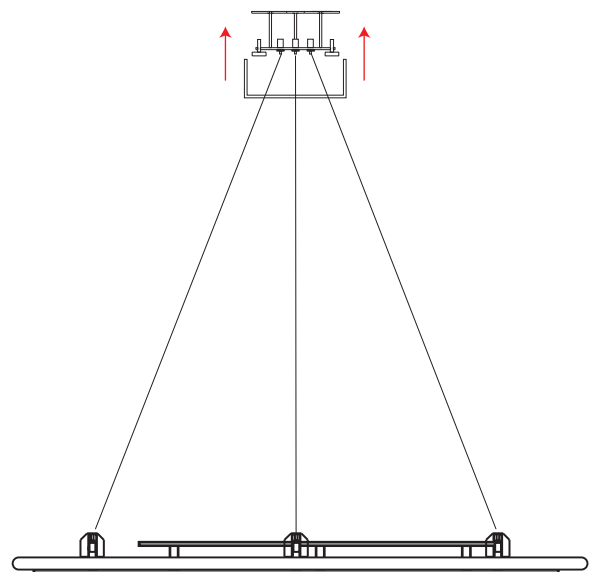


METAL CLEANING

Carefully clean metal surfaces using a soft cloth and no liquid.



STEP A
TROUBLE SHOOTING - ELECTRICAL FAULTS
Check fuseboard



STEP B
TROUBLE SHOOTING - ELECTRICAL FAULTS
Lower ceiling canopy. Check/test connections.