

MIDA PENDANT INSTALLATION INSTRUCTIONS 1 Of 7

BARONCELLI ⌘



WHAT IS INCLUDED

1. Ceiling canopy
2. Spares

WHAT YOU WILL NEED

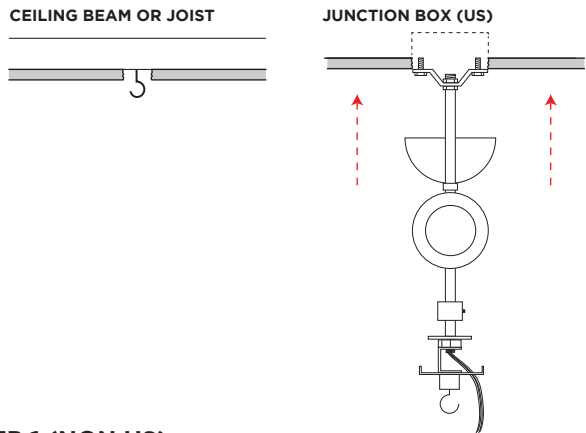
1. Hook / Junction box fittings (US)
2. Bulbs - E27 (240v) - max 60W - E26 (120v) - max 60W
3. Screwdriver (3.5mm / 1/8" flat tip) + pliers
4. Soft cloth

WEIGHTS

18kg (40lb)

MIDA PENDANT INSTALLATION INSTRUCTIONS 2 OF 7

BARONCELLI ⌘

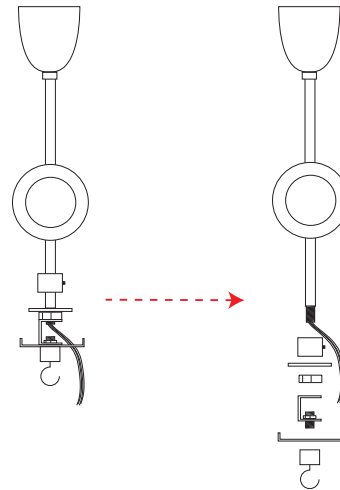


STEP 1 (NON US)

Using a heavy-duty hook secured firmly into a joist, hook the ceiling canopy and chain. Ensure hook is capable of taking the relevant weight.

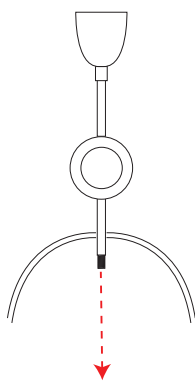
STEP 1 (US)

Securely fasten bracket bar to the junction box. Pass the stem through the bracket bar and secure using nuts above and below. Ensure the fixing is capable of taking the relevant weight.



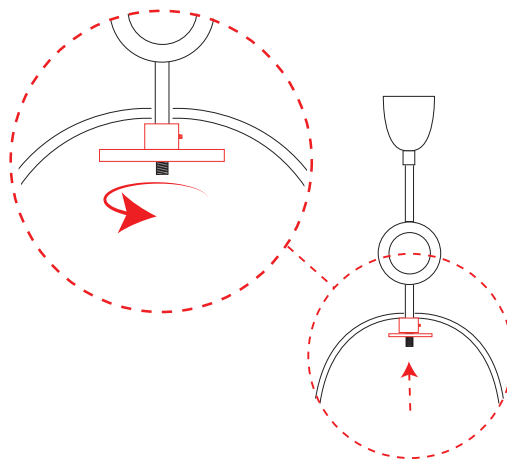
STEP 2

Remove components from stem as shown.



STEP 3

Pass the stem through the glass.

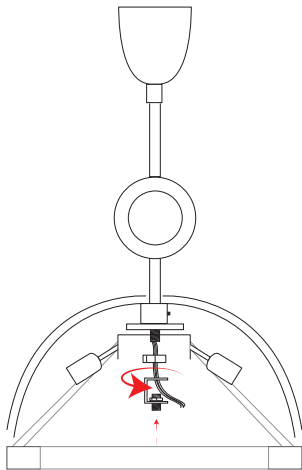


STEP 4

Raise glass to top of stem, secure block beneath using allen key and washer.

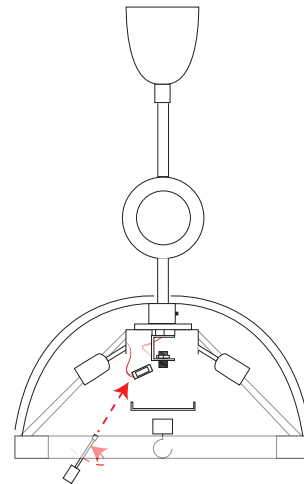
MIDA PENDANT INSTALLATION INSTRUCTIONS 3 OF 7

BARONCELLI ⌘



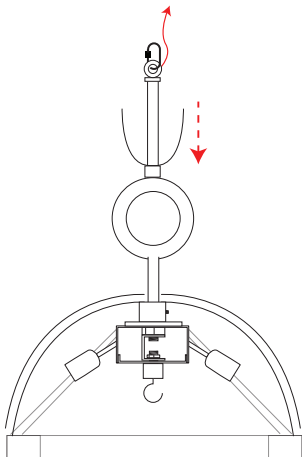
STEP 5

Offer up frame & lighting unit. Pass stem and cable through housing and secure using hex nut and hickey.



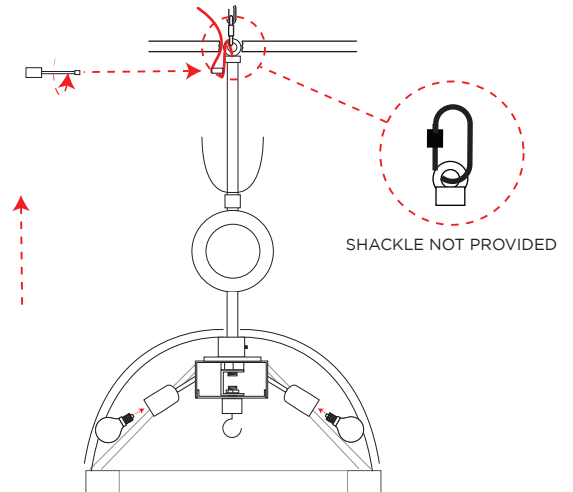
STEP 6

Make electrical connection inside the housing. Raise cover and secure with fixing cap.



STEP 7 (NON US)

Lower the canopy.



STEP 8 (NON US)

Hang using shackle. Make electrical connections. Insert bulbs and test.

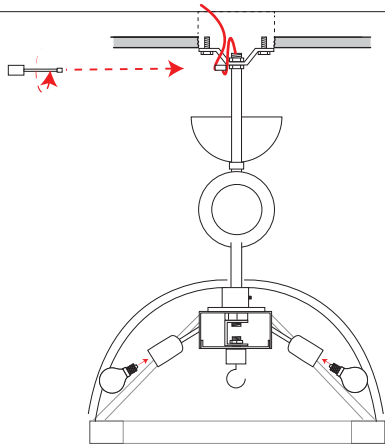
NOTE:
SHACKLE IS NOT PROVIDED

MIDA PENDANT

INSTALLATION INSTRUCTIONS

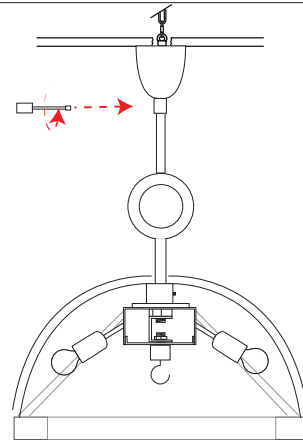
4 OF 7

BARONCELLI ⌘



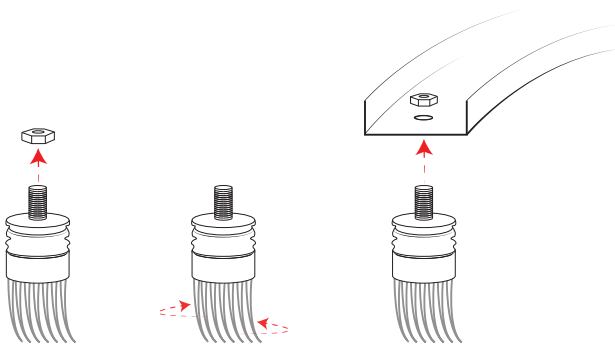
STEP 8 (US)

Make electrical connections. Insert bulbs and test.



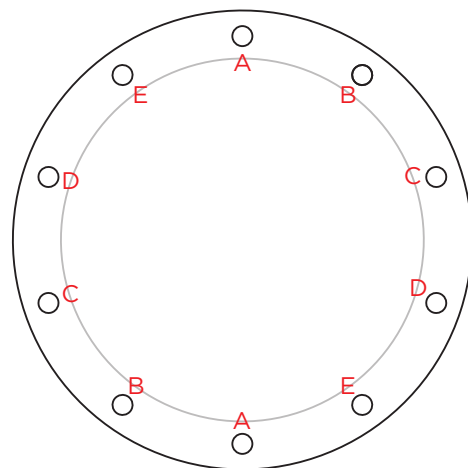
STEP 9

Raise and secure ceiling canopy.



STEP 10

Remove hex nut from necklace, twist strands to form a single 'necklace'. Fit the necklace into the frame using the hex nut to secure into place.



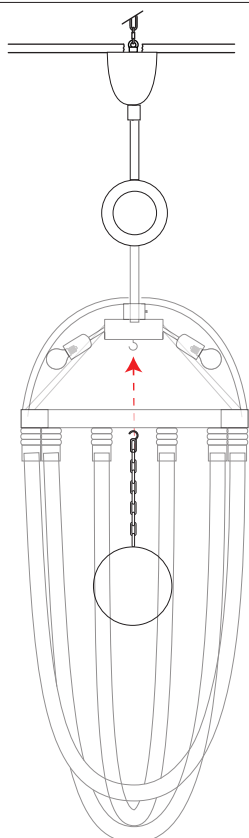
Install necklaces into opposing locations on the frame. Install the shortest necklace lengths first and work up to the longest length last. Lengths are marked on packaging.

MIDA PENDANT

INSTALLATION INSTRUCTIONS

5 OF 7

BARONCELLI 



STEP 9

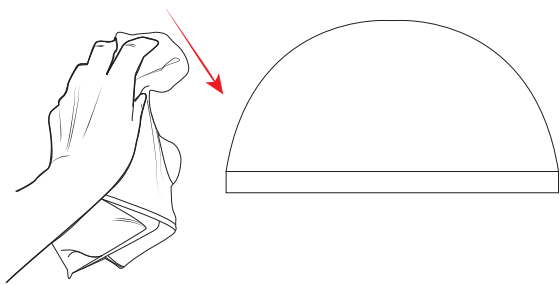
Attach the central hanging ball using hook.

ENSURE ANY ELECTRICAL WORK IS CARRIED OUT BY A QUALIFIED ELECTRICIAN

OPERATION AND MAINTENANCE

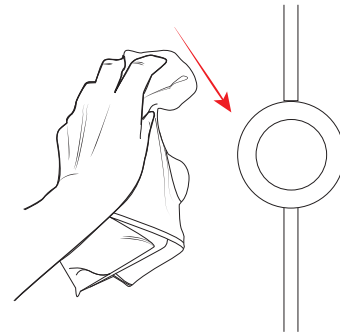
6 OF 7

BARONCELLI 



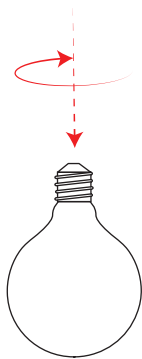
GLASS CLEANING

Glass elements should be carefully cleaned using a soft cloth.



METAL CLEANING

Carefully clean metal surfaces using a soft cloth and no liquid.



REPLACING A BULB

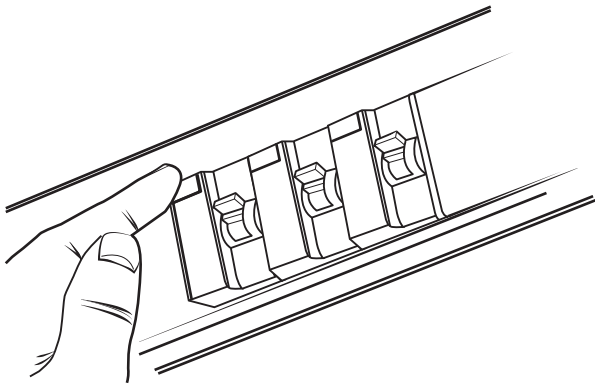
Ensure electricals are switched off and bulb has cooled down. Unscrew bulb and replace.

ENSURE ANY ELECTRICAL WORK IS CARRIED OUT BY A QUALIFIED ELECTRICIAN

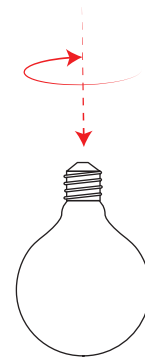
OPERATION AND MAINTENANCE

7 OF 7

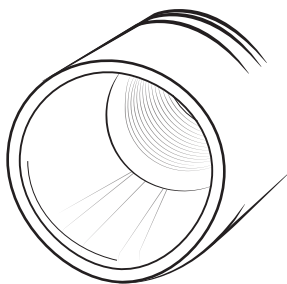
BARONCELLI ⌘



STEP A
TROUBLE SHOOTING - ELECTRICAL FAULTS
Check fuseboard

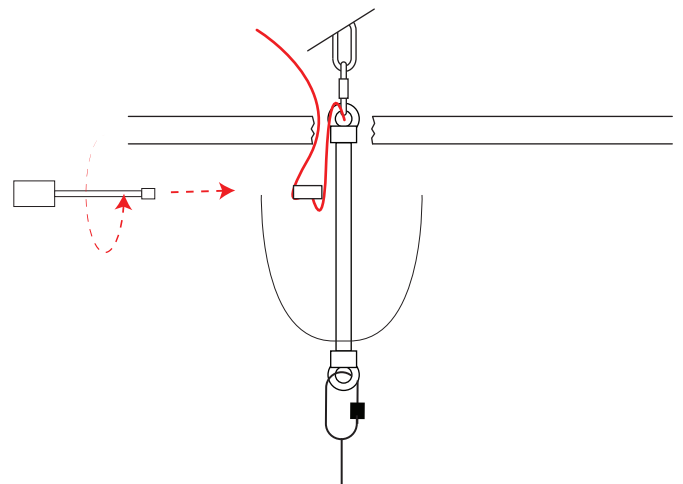


STEP B
TROUBLE SHOOTING - ELECTRICAL FAULTS
Check and replace the bulbs.



LAMP HOLDER

STEP C
TROUBLE SHOOTING - ELECTRICAL FAULTS
Retrace installation steps to access. Check/test lamp holder.



STEP D
TROUBLE SHOOTING - ELECTRICAL FAULTS
Lower ceiling canopy. Check/test connections.