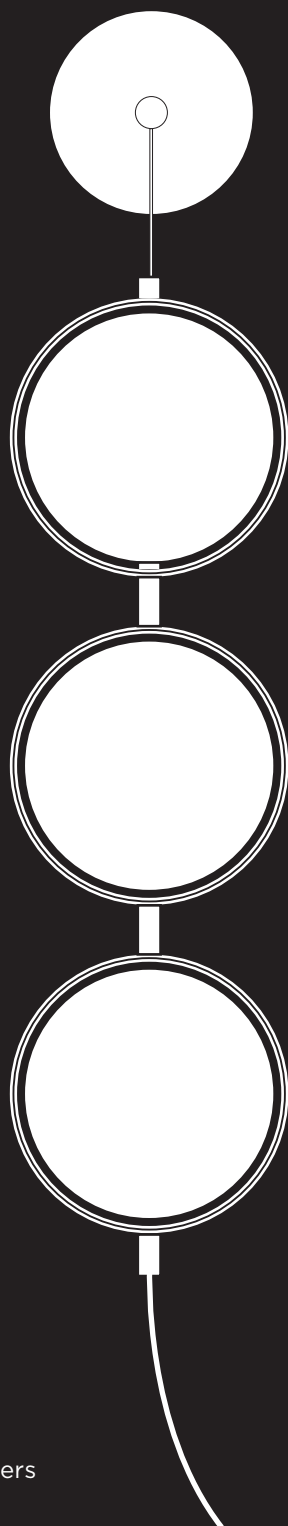


ORION SWIRL TX 3 WALL LIGHT INSTALLATION INSTRUCTIONS 1 OF 4

BARONCELLI ⌘



WHAT IS INCLUDED

1. Wall light fitting
2. Glass
3. Transformer

WHAT YOU WILL NEED

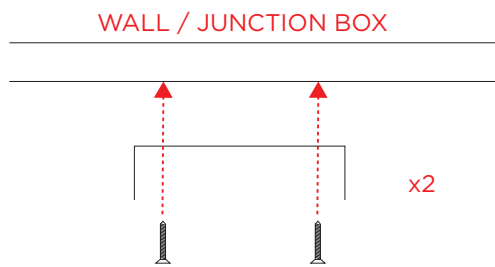
1. Screws
2. Screwdriver (3.5mm / 1/8" flat tip) + pliers
3. Soft cloth

WEIGHT

5 kg (9.5lb)

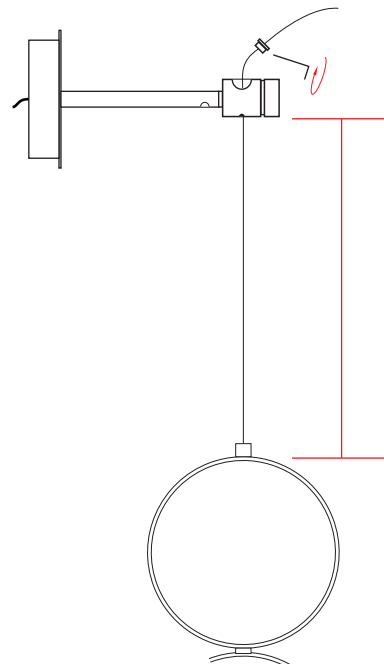
ORION SWIRL TX 3 WALL LIGHT INSTALLATION INSTRUCTIONS 2 OF 4

BARONCELLI ⌘

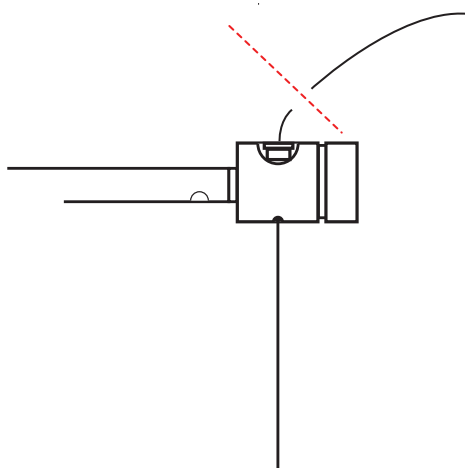


STEP 1
Secure wall fitting to wall / junction box. Wall fitting must be capable of taking a relevant load.

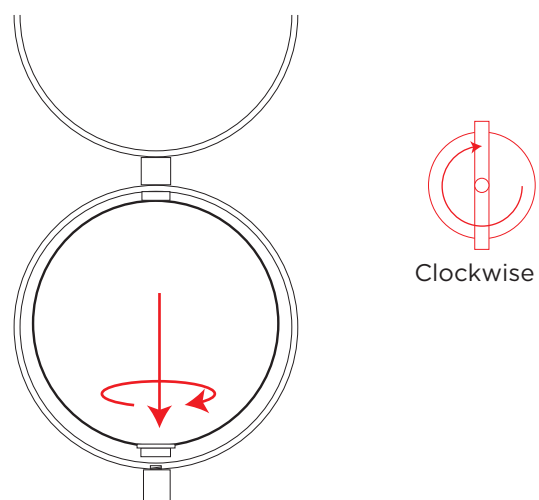
NOTE: SCREW FIXINGS ARE NOT SUPPLIED



STEP 2
Determine desired drop, pass the suspension cable through the suspension cap and secure using the screw block.



STEP 3
Cut the excess cable.

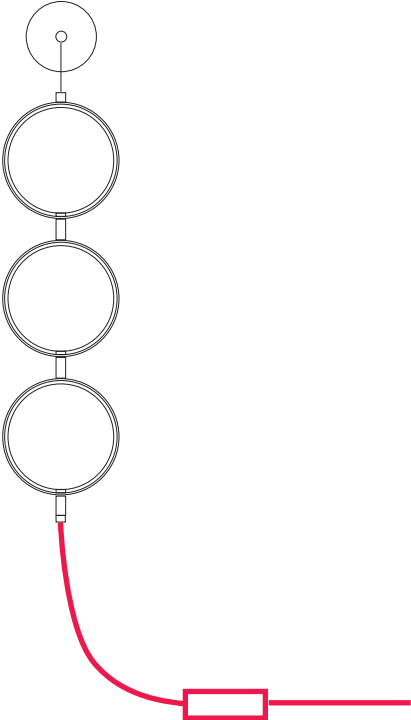


DO NOT OVERTIGHTEN THE SPHERE

STEP 4
Mount the sphere on to the ring. The sphere must not touch the LED tape throughout the installation to avoid any dirt /oil marks.

ORION SWIRL TX 3 WALL LIGHT INSTALLATION INSTRUCTIONS 3 OF 4

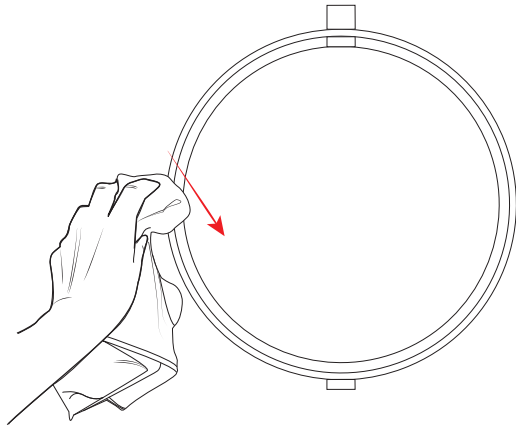
BARONCELLI 



STEP 5
Make electrical connection to LED driver. Test the light.

ORION SWIRL TX 3 WALL LIGHT INSTALLATION INSTRUCTIONS 4 OF 4

BARONCELLI 



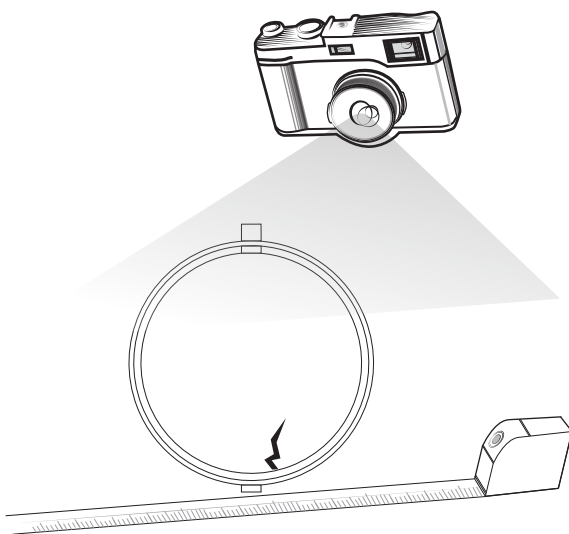
GLASS CLEANING

Glass elements should be carefully cleaned using a soft cloth and small amount of white spirit.



METAL CLEANING

Carefully clean metal surfaces using a soft cloth and no liquid.



PHOTOGRAPH THE BREAKAGE

Ensure a clear side on image with a measuring tape along the breakage for scale is taken.