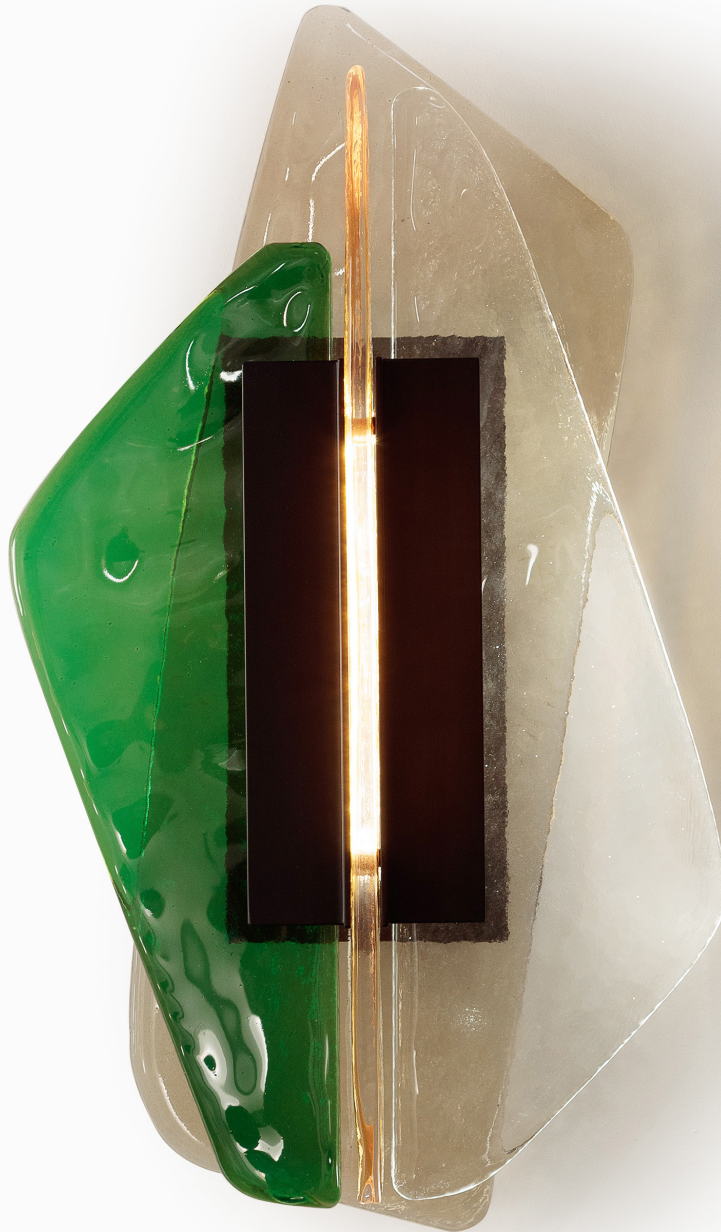


FOLIO  
WALL LIGHT

BARONCELLI



IMAGE SHOWS  
Hand cast Green, amber, fume cristallo glass  
with matt black frame





# FOLIO WALL LIGHT EDITION OF 12 FACTS



## MATERIALS

### GLASS\*

Three limited edition colourways of hand cast glass

01 - Green, amber, fumé and cristallo

02 - Pink, amber, fumé and cristallo

03 - Blue, fumé, amber and cristallo

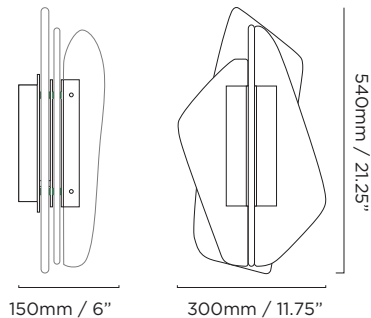
### METAL FINISHES\*

Matt Black

## WEIGHTS

One size 10 kg (22 lb)

## SIZES



## DETAILS

### FIXING

Secured to wall by 2 screws (not supplied).

Please ensure fixings and wall surface are suitable to carry the weight indicated.

### INSTALLATION

Fixture requires on site assembly by qualified electrician.

## ELECTRICALS

### LAMP

240V/120V

Warm white LED tape (2600K) 1050 Lm

### POWER

24V LED tape with power output of 14W

Supplied with 24V constant voltage mains dimmable transformers. Trailing edge dimming is recommended for best results. Transformers are housed within wall cover.

Full transformer specification available upon request.

1-10v and DALI dimming options are available by request, requires an additional cable circuit to be provided, please consult your electrician for suitability.

### STANDARD

All lighting is made to CE standards.

LED tape and transformer UL recognised.

## NOTES

Please note that size variations in hand blown glass may range up to 40mm (1.5").

\*Custom colours, finishes and sizes available - please contact Baroncelli for more details.

## CONTACT US

### PRODUCTION AND LOGISTICS

Via Dei Ronchi 19

Padova 35127

production@baroncelli.com

### SALES OFFICES

London +44 (20) 7720 6556

New York +1 212 255 2005

studio@baroncelli.com