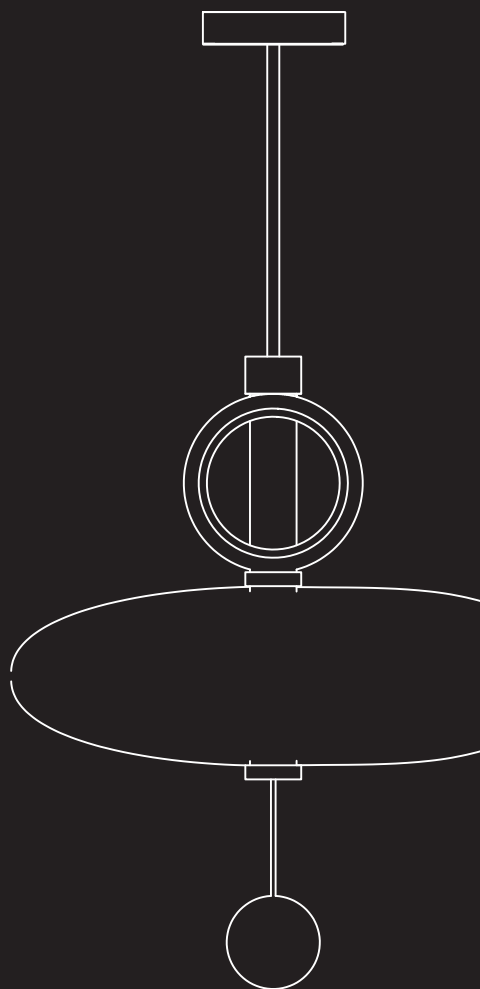


# ARX PENDANT

## INSTALLATION INSTRUCTIONS

### 1 OF 4



#### WHAT IS INCLUDED

1. Glass
2. Metal frame
3. LED transformer

#### WHAT YOU WILL NEED

1. Screws
2. Screwdriver (3.5mm / 1/8" flat tip) + pliers
3. Soft cloth

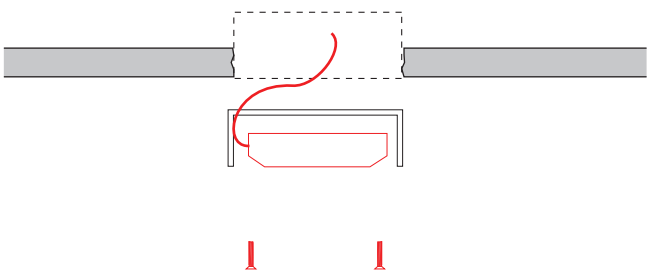
#### WEIGHTS

10kg (22LB)

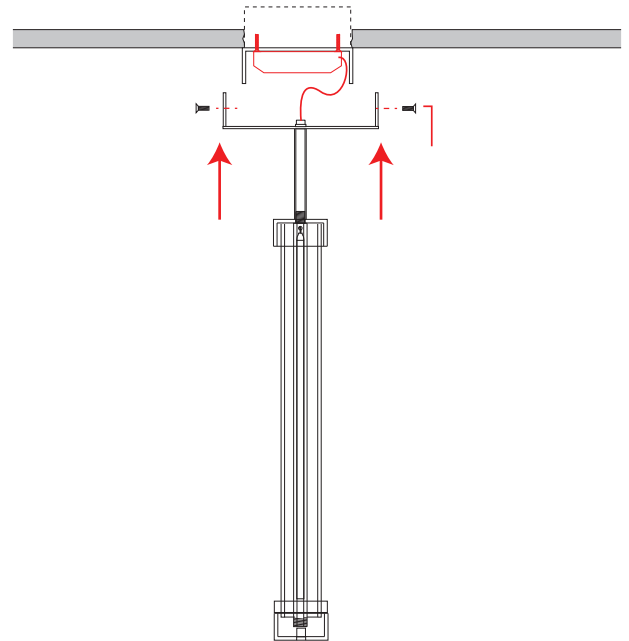
# ARX PENDANT INSTALLATION INSTRUCTIONS 2 OF 4

BARONCELLI ⌘

**\*ENSURE THE MAINS POWER IS  
TURNED OFF UNTIL FINAL TEST**



**\*ENSURE ANY ELECTRICAL WORK IS  
CARRIED OUT BY A QUALIFIED ELECTRICIAN**



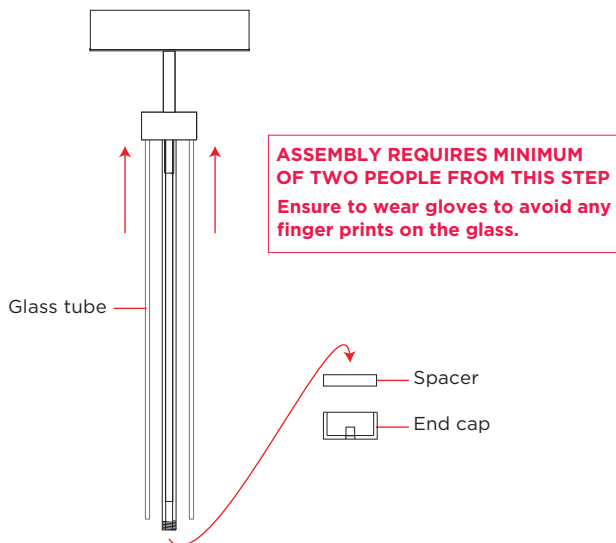
## STEP 1

Securely fix the ceiling plate into a ceiling beam/joist using a minimum of 2 fixings. Ensure the fixings are capable of taking the relevant weight. Connect main to power supply.

NOTE: SCREW FIXINGS ARE NOT SUPPLIED

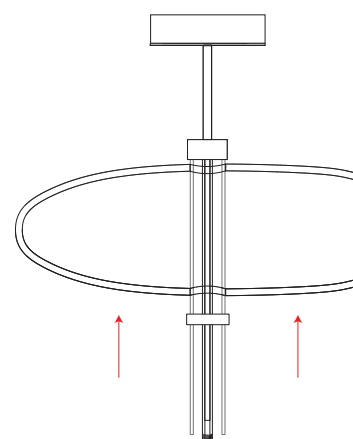
## STEP 2

Raise pendant frame up to the ceiling. Connect LED light to the LED driver. Secure ceiling canopy using side screw. Test LED.



## STEP 3

Assembly requires minimum of two people from this step. Ensure to wear gloves to avoid any finger marks on the glass. Hold the glass tube, remove the spacer and the end cap from the stem.



## STEP 4 (ARX CHH / ARX OHV)

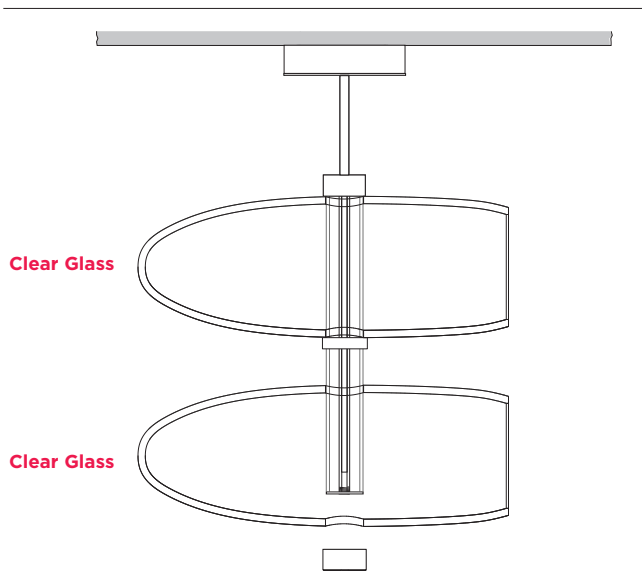
Slide the first Horizontal bell element (Clear / Opaque) over the glass tube. Slide the spacer and hold.

# ARX PENDANT

## INSTALLATION INSTRUCTIONS

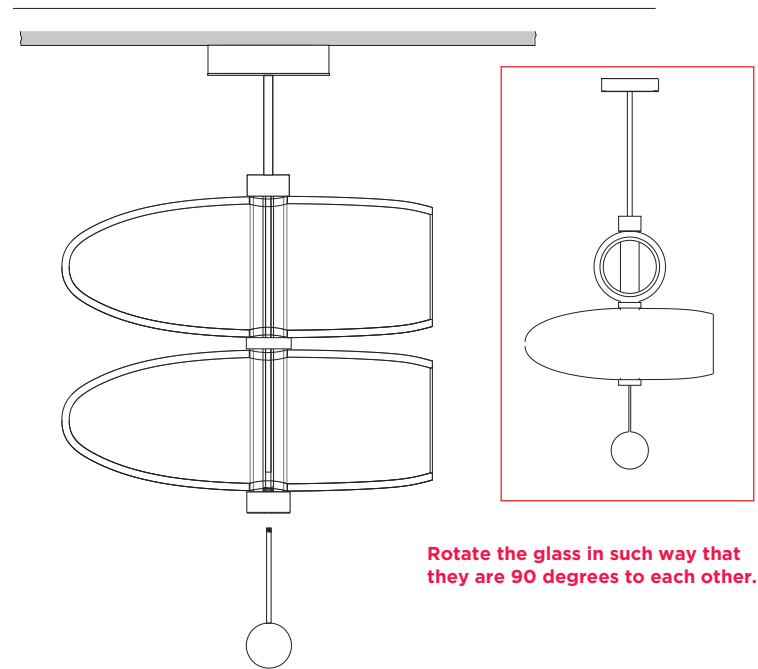
### 3 OF 4

BARONCELLI 



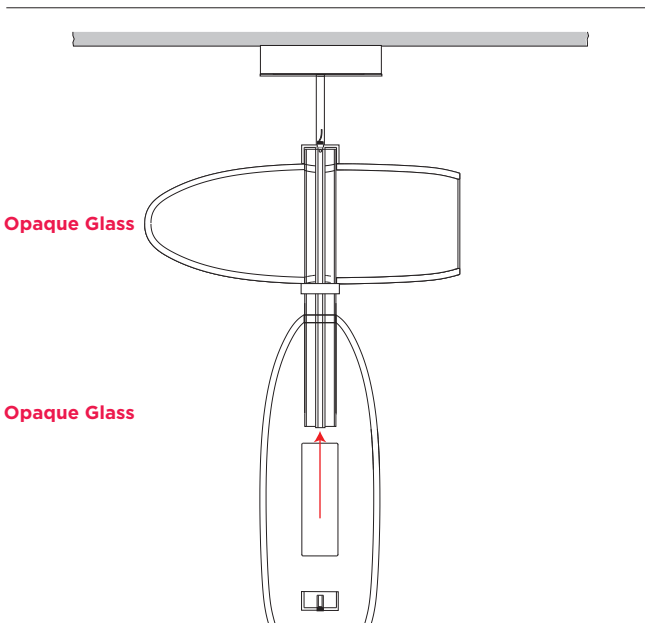
#### STEP 5a (ARX CHH)

Slide second Clear Horizontal bell glass over the glass tube. Secure using the end cap.



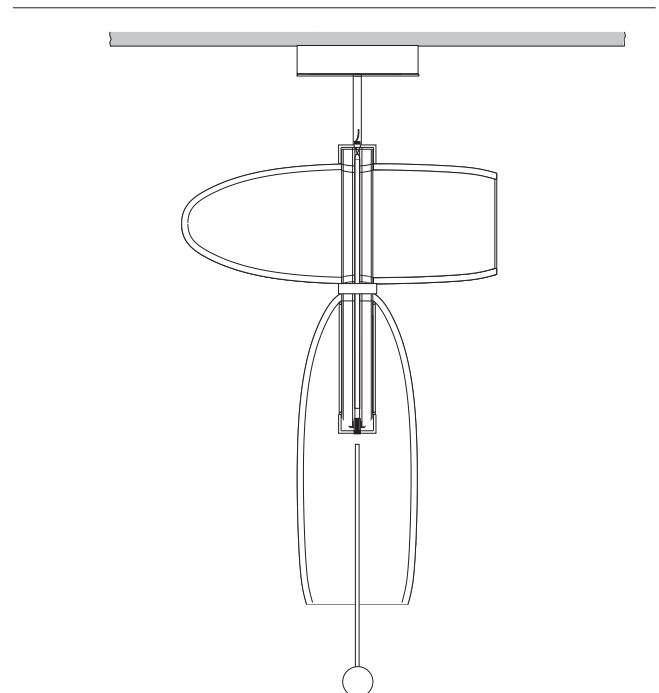
#### STEP 6a (ARX CHH)

Attach the finial to the endcap.



#### STEP 5b (ARX OHV)

Slide Opaque Vertical bell glass over the glass tube. Chase the acrylic spacer tube then secure using the end cap.



#### STEP 6b (ARX OHV)

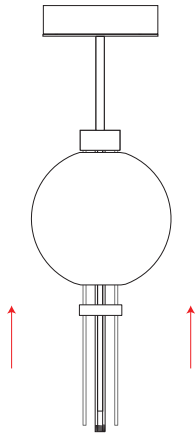
Attach the finial to the endcap.

# BELL LED PENDANT

## INSTALLATION INSTRUCTIONS

### 4 OF 4

BARONCELLI 

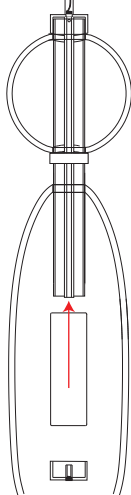


#### STEP 4c (ARX CSV)

Slide Clear Sphere element over the glass tube.  
Slide the spacer and hold.

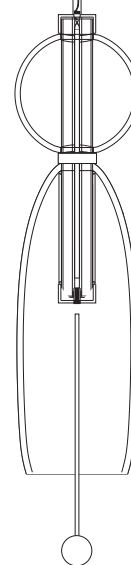
Clear Glass

Clear Glass



#### STEP 5c (ARX CSV)

Slide Clear Vertical bell glass over the glass tube.  
Chase the acrylic spacer tube then secure using the end cap.



#### STEP 6c (ARX CSV)

Attach the finial to the endcap.